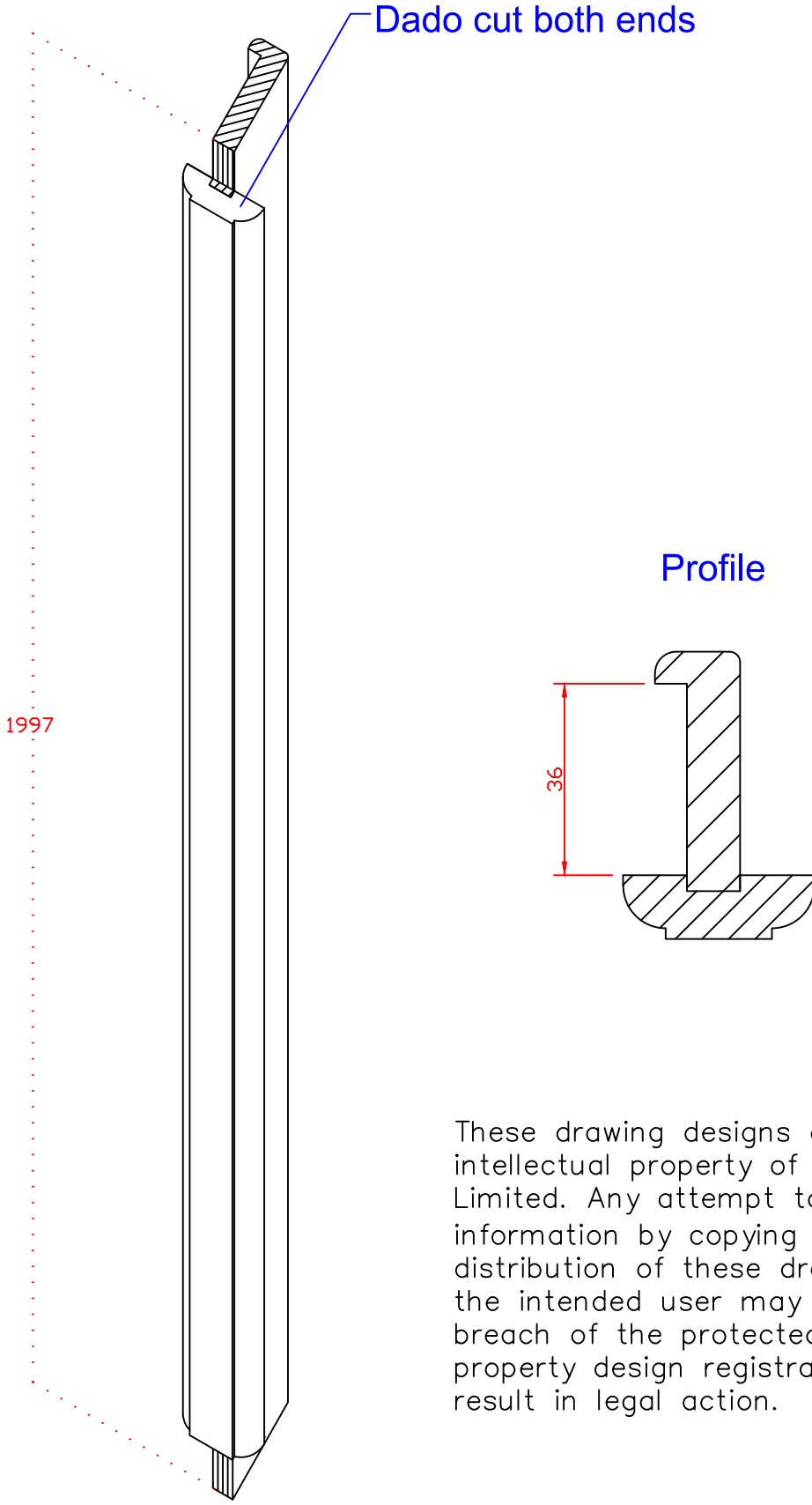




Technical drawings

PFOAKPM

Pre-Finished Oak Pair Maker (35mm door)



These drawing designs are the registered intellectual property of XL Joinery Limited. Any attempt to share this information by copying and / or distribution of these drawings beyond the intended user may be considered a breach of the protected intellectual property design registration and may result in legal action.




ISO 9001
 Quality Management Systems
 CERTIFIED
FM518105


ISO 14001
 Environmental Management
 CERTIFIED
EMS578330

XL Joinery Ltd.
 Holden Ing Way, Birstall, West Yorkshire, WF17 9AD
 01924 350501 | www.xljoinery.co.uk

TITLE	APPROVED BY	REMARKS	DRAWN BY: Sara Tweddle		
PFOAKPM Prefinished Oak Pair Maker 35mm Thick Doors			SCALE:		
			DRAWING NO:		
			CHECK BY:		
			DATE ISSUED: 14/02/25		
			<table border="1"> <tr> <td>Revision</td> </tr> <tr> <td>2</td> </tr> </table>	Revision	2
Revision					
2					