

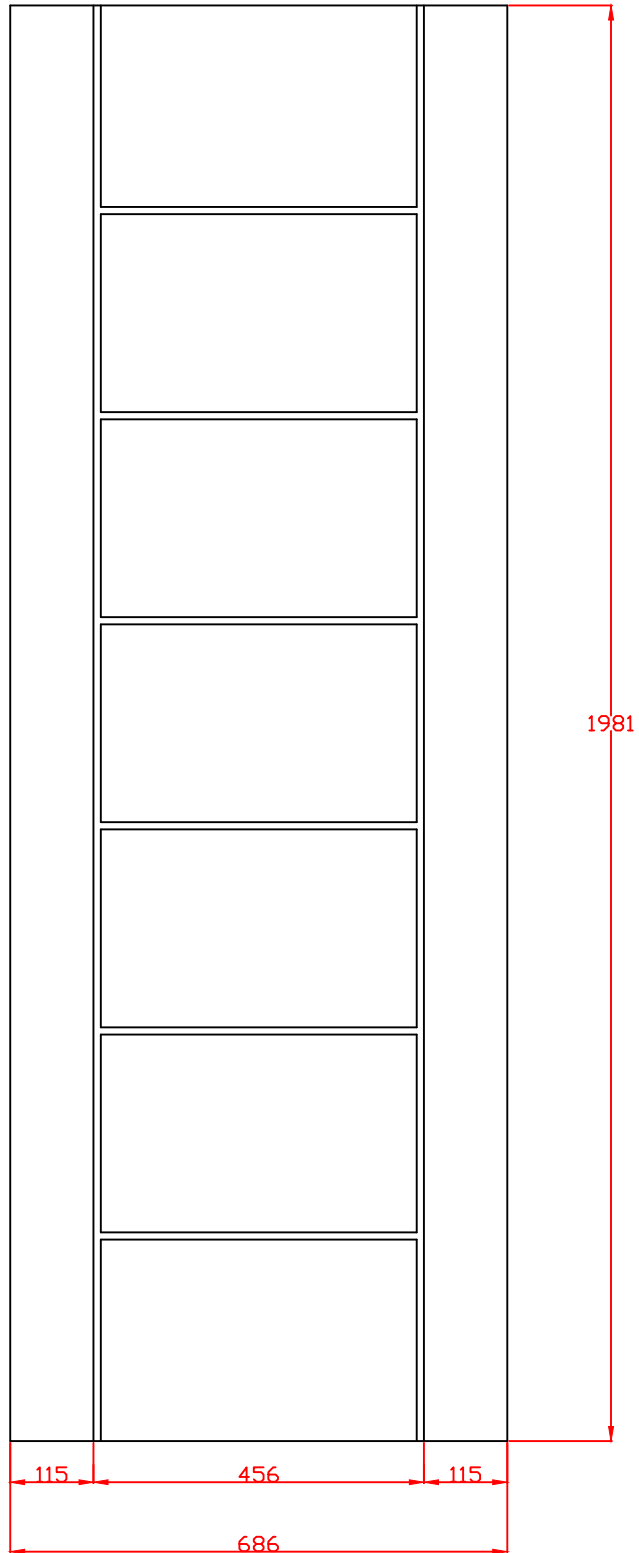
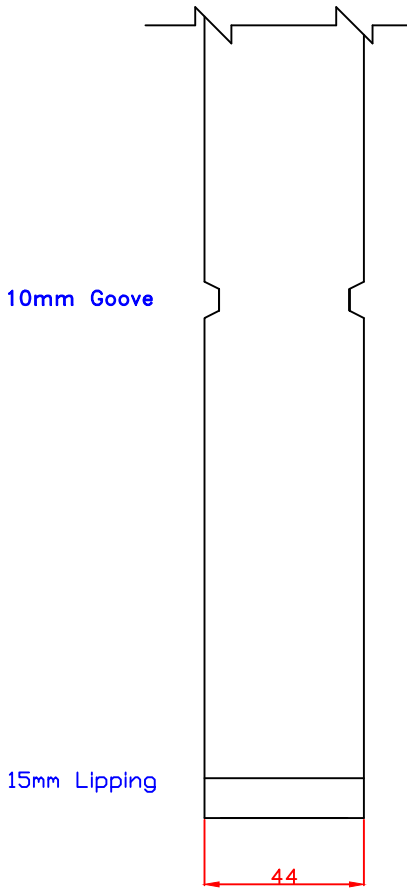


Technical drawings

WPPAL-FD

White Primed Palermo Fire Door

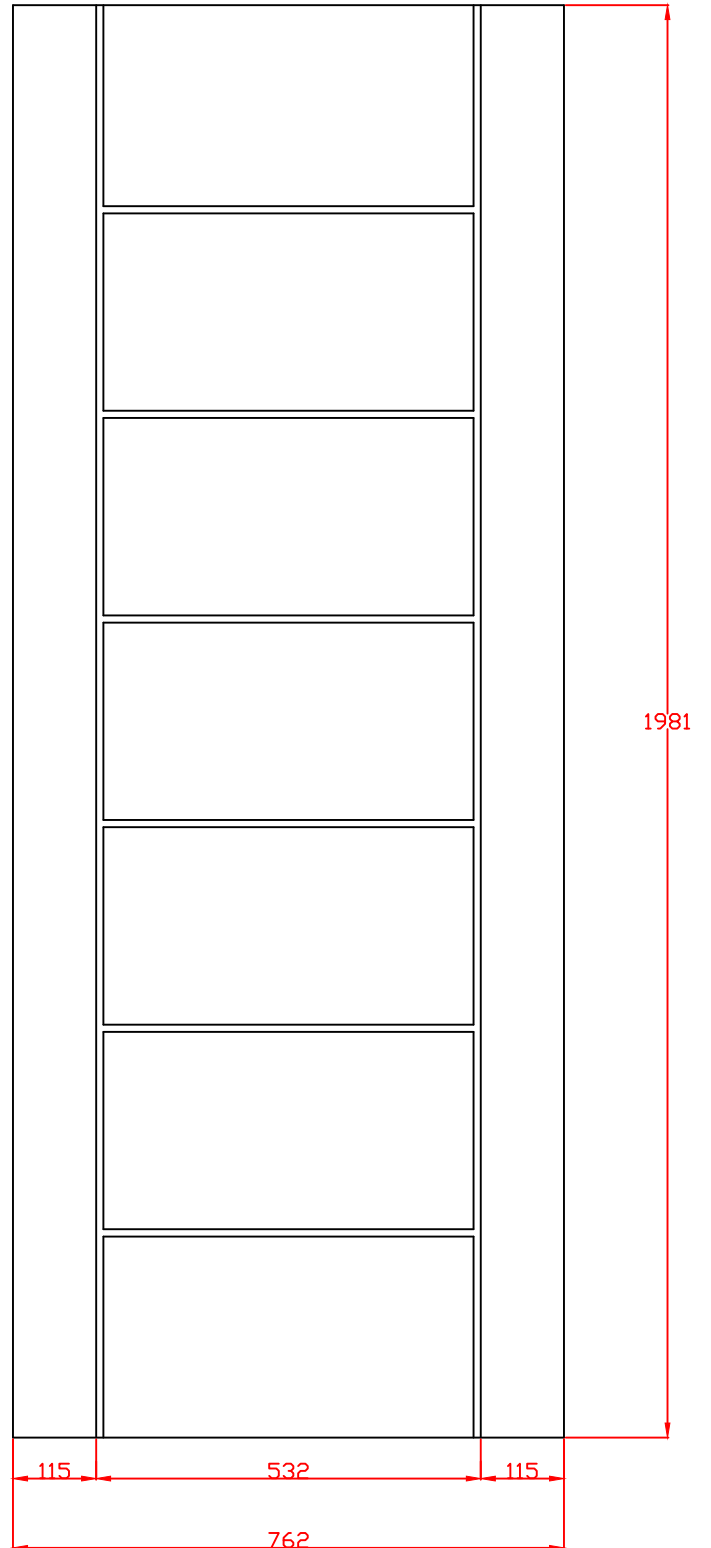
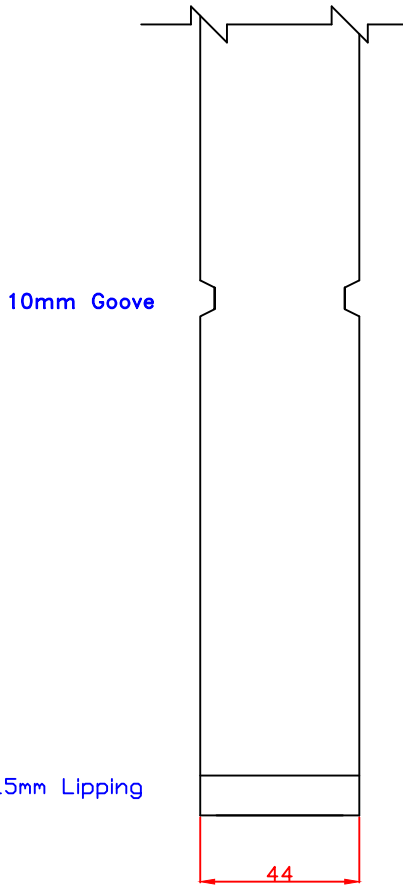
These drawing designs are the registered intellectual property of XL Joinery Limited. Any attempt to share this information by copying and / or distribution of these drawings beyond the intended user may be considered a breach of the protected intellectual property design registration and may result in legal action."



XL Joinery Ltd.
Holden Ing Way, Birstall, West Yorkshire, WF17 9AD
01924 350501 | www.xljoinery.co.uk

TITLE	APPROVED BY	REMARKS	DRAWN BY: Sara Tweddle
WPPAL27-FD Internal White Primed Palermo Fire oor 1981 x 686 x 44mm			SCALE:
			DRAWING NO:
			CHECK BY:
			DATE ISSUED: 26/11/24
			Revision 2

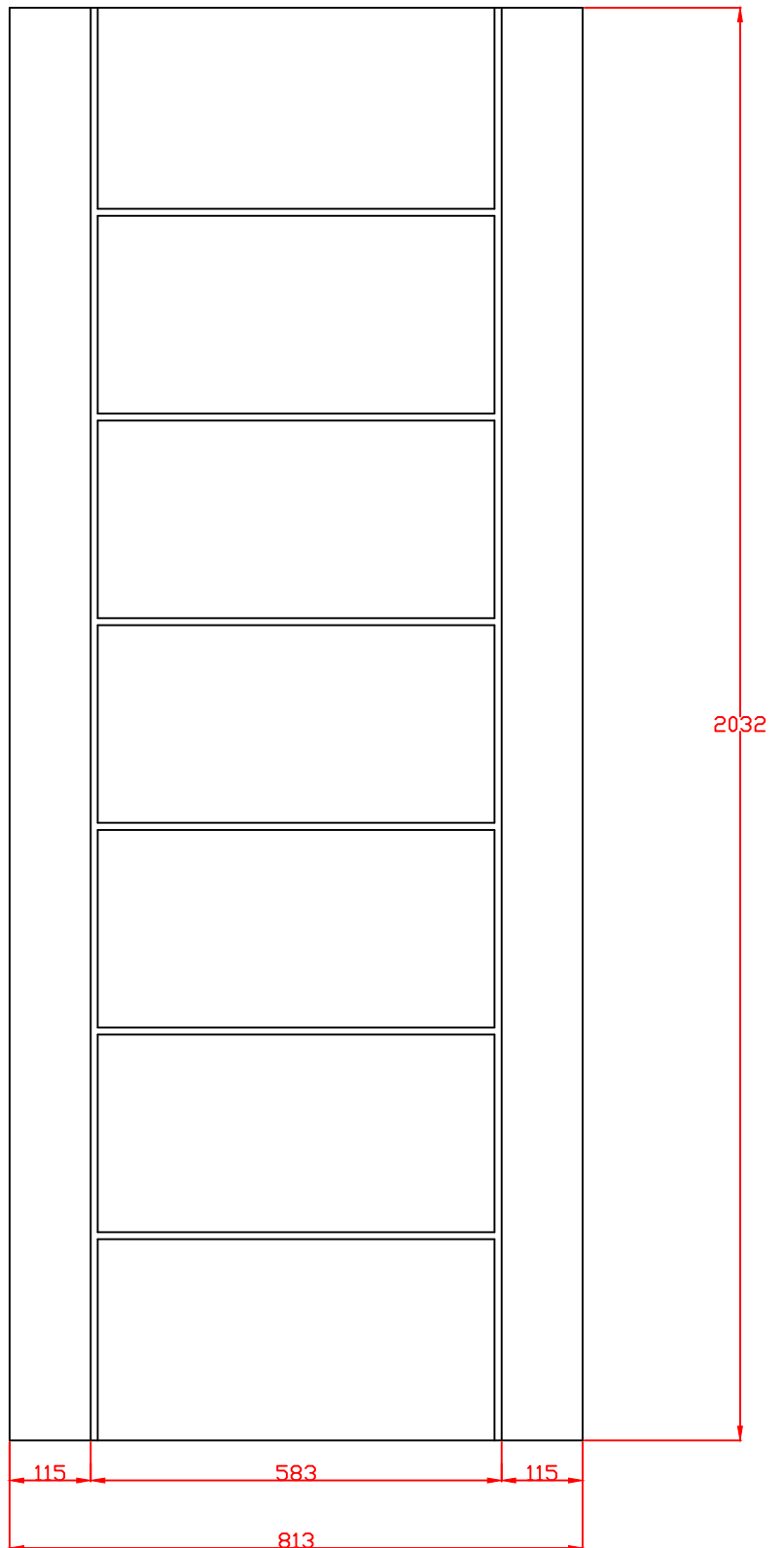
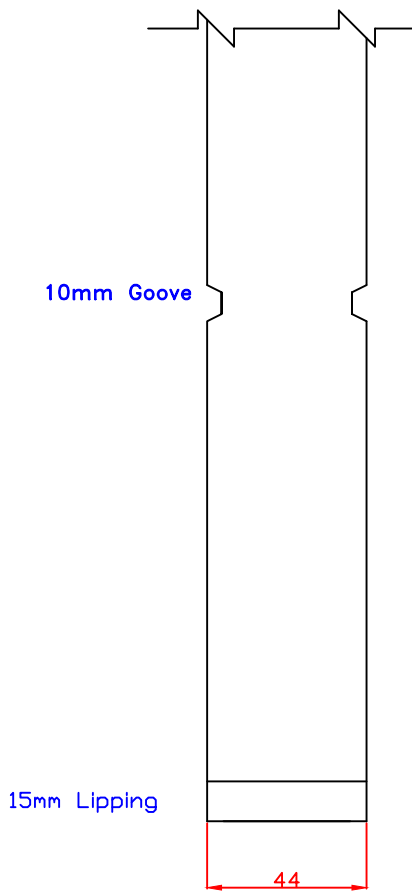
These drawing designs are the registered intellectual property of XL Joinery Limited. Any attempt to share this information by copying and / or distribution of these drawings beyond the intended user may be considered a breach of the protected intellectual property design registration and may result in legal action."



	ISO 9001 Quality Management Systems CERTIFIED	ISO 14001 Environmental Management CERTIFIED
	FM518105	EMS578330
XL Joinery Ltd. Holden Ing Way, Birstall, West Yorkshire, WF17 9AD 01924 350501 www.xljoinery.co.uk		

TITLE	APPROVED BY	REMARKS	DRAWN BY: Sara Tweddle
WPPAL30-FD Internal White Primed Palermo Fire Door 1981 x 762 x 44mm			SCALE:
			DRAWING NO:
			CHECK BY:
			DATE ISSUED: 26/11/24
			Revision 2

These drawing designs are the registered intellectual property of XL Joinery Limited. Any attempt to share this information by copying and / or distribution of these drawings beyond the intended user may be considered a breach of the protected intellectual property design registration and may result in legal action."



	ISO 9001 Quality Management Systems CERTIFIED	ISO 14001 Environmental Management CERTIFIED
	<small>FM518105</small>	<small>EM5578330</small>

XL Joinery Ltd.
 Holden Ing Way, Birstall, West Yorkshire, WF17 9AD
 01924 350501 | www.xljoinery.co.uk

TITLE

WPPAL32-FD
 Internal White Primed
 Palermo Fire Door
 2032 x 813 x 44mm

APPROVED BY

REMARKS

DRAWN BY: Sara Twedde

SCALE:

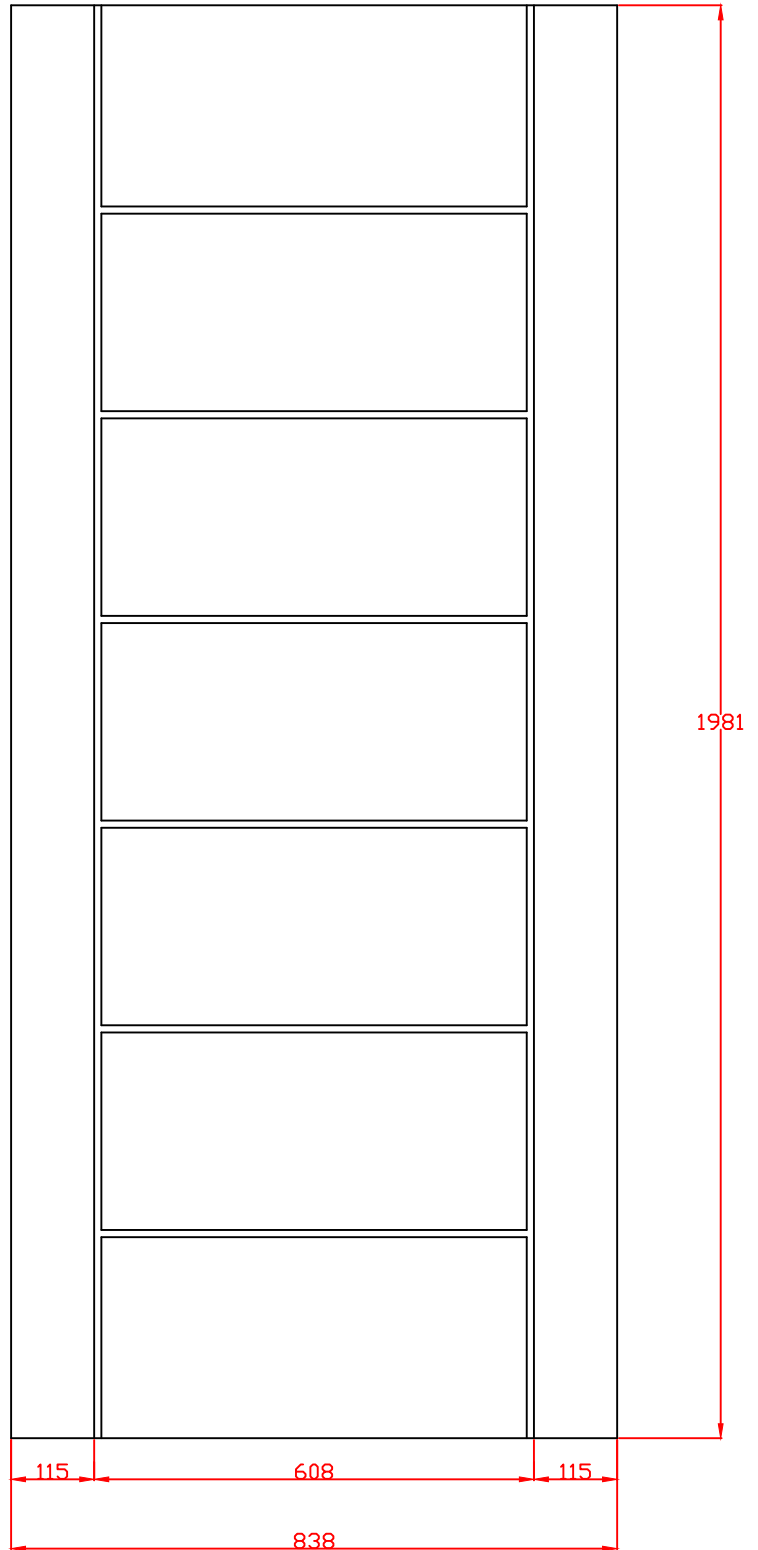
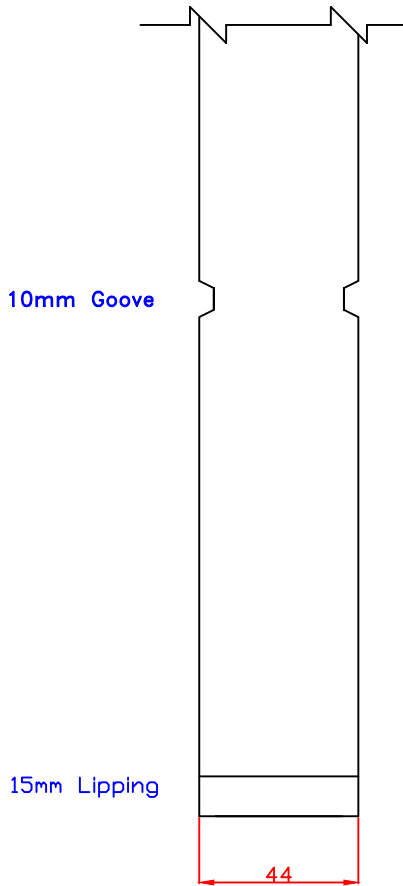
DRAWING NO:

CHECK BY:

DATE ISSUED: 26/11/24

Revision	2
----------	---

These drawing designs are the registered intellectual property of XL Joinery Limited. Any attempt to share this information by copying and / or distribution of these drawings beyond the intended user may be considered a breach of the protected intellectual property design registration and may result in legal action."



	ISO 9001 Quality Management Systems CERTIFIED	ISO 14001 Environmental Management CERTIFIED
	<small>FM518105</small>	<small>EMS578330</small>

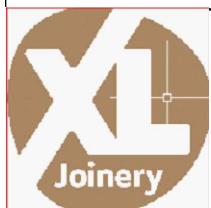
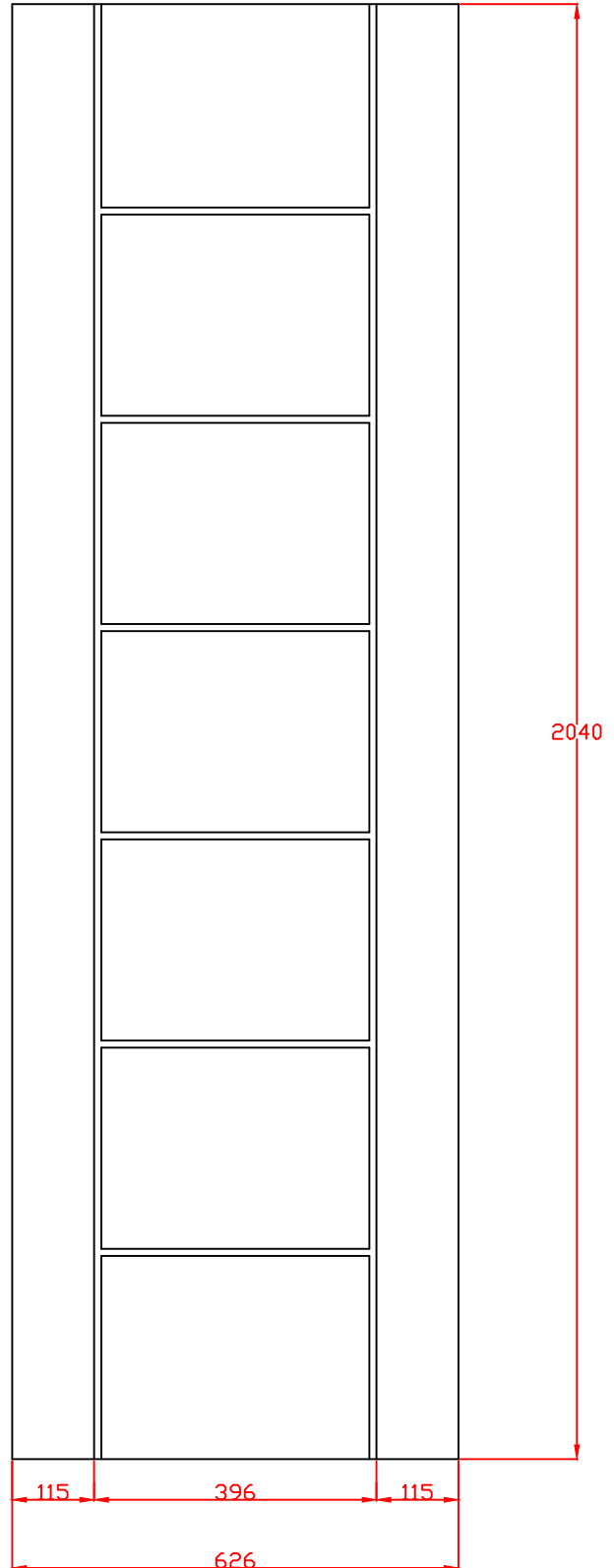
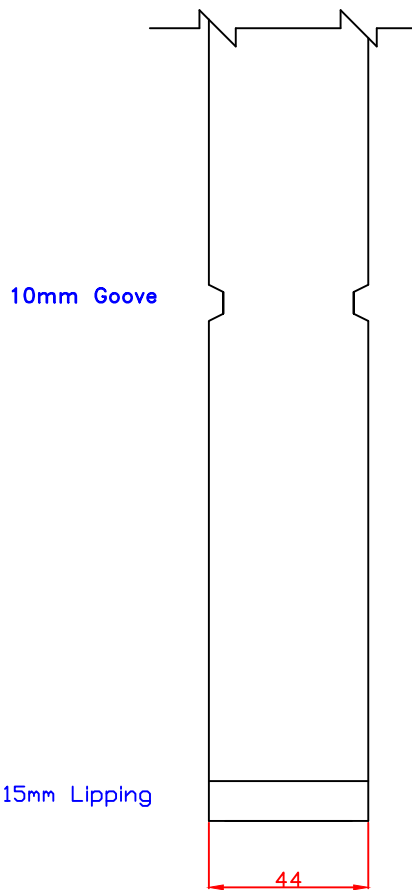
XL Joinery Ltd.
 Holden Ing Way, Birstall, West Yorkshire, WF17 9AD
 01924 350501 | www.xljoinery.co.uk

TITLE	APPROVED BY	REMARKS
WPPAL33-FD Internal White Primed Palermo Fire Door 1981 x 838 x 44mm		

DRAWN BY: Sara Tweddle
SCALE:
DRAWING NO:
CHECK BY:
DATE ISSUED: 26/11/24

Revision	2
----------	---

These drawing designs are the registered intellectual property of XL Joinery Limited. Any attempt to share this information by copying and / or distribution of these drawings beyond the intended user may be considered a breach of the protected intellectual property design registration and may result in legal action."



	ISO 9001 Quality Management Systems CERTIFIED	ISO 14001 Environmental Management CERTIFIED
	<small>FM518105</small>	<small>EM5578330</small>

XL Joinery Ltd.
 Holden Ing Way, Birstall, West Yorkshire, WF17 9AD
 01924 350501 | www.xljoinery.co.uk

TITLE

WPPAL626-FD
 Internal White Primed
 Palermo Fire Door
 2040 x 626 x 44mm

APPROVED BY

REMARKS

DRAWN BY: Sara Tweddle

SCALE:

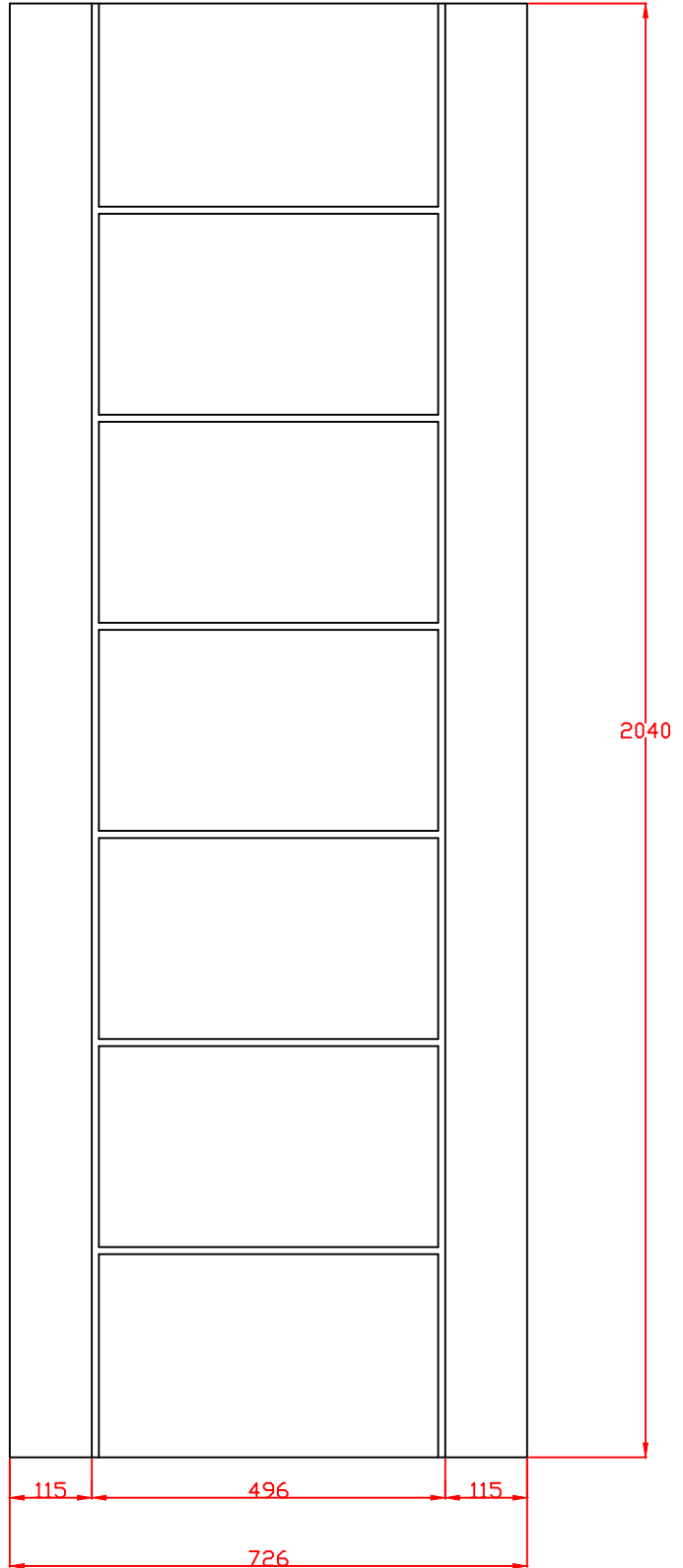
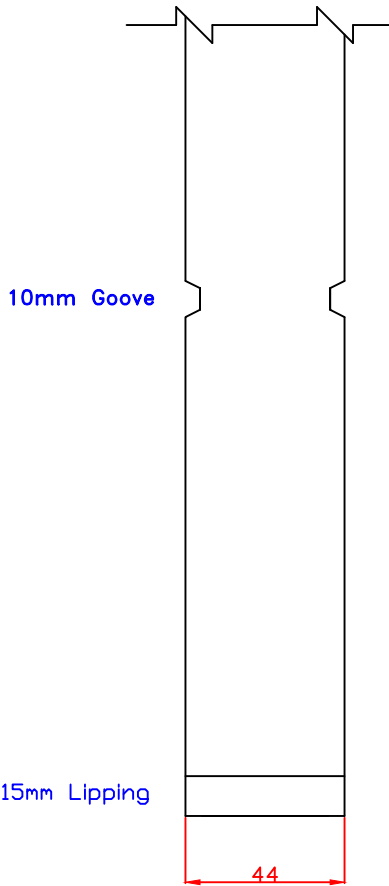
DRAWING NO:

CHECK BY:

DATE ISSUED: 26/11/24

Revision
2

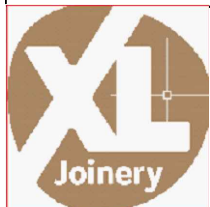
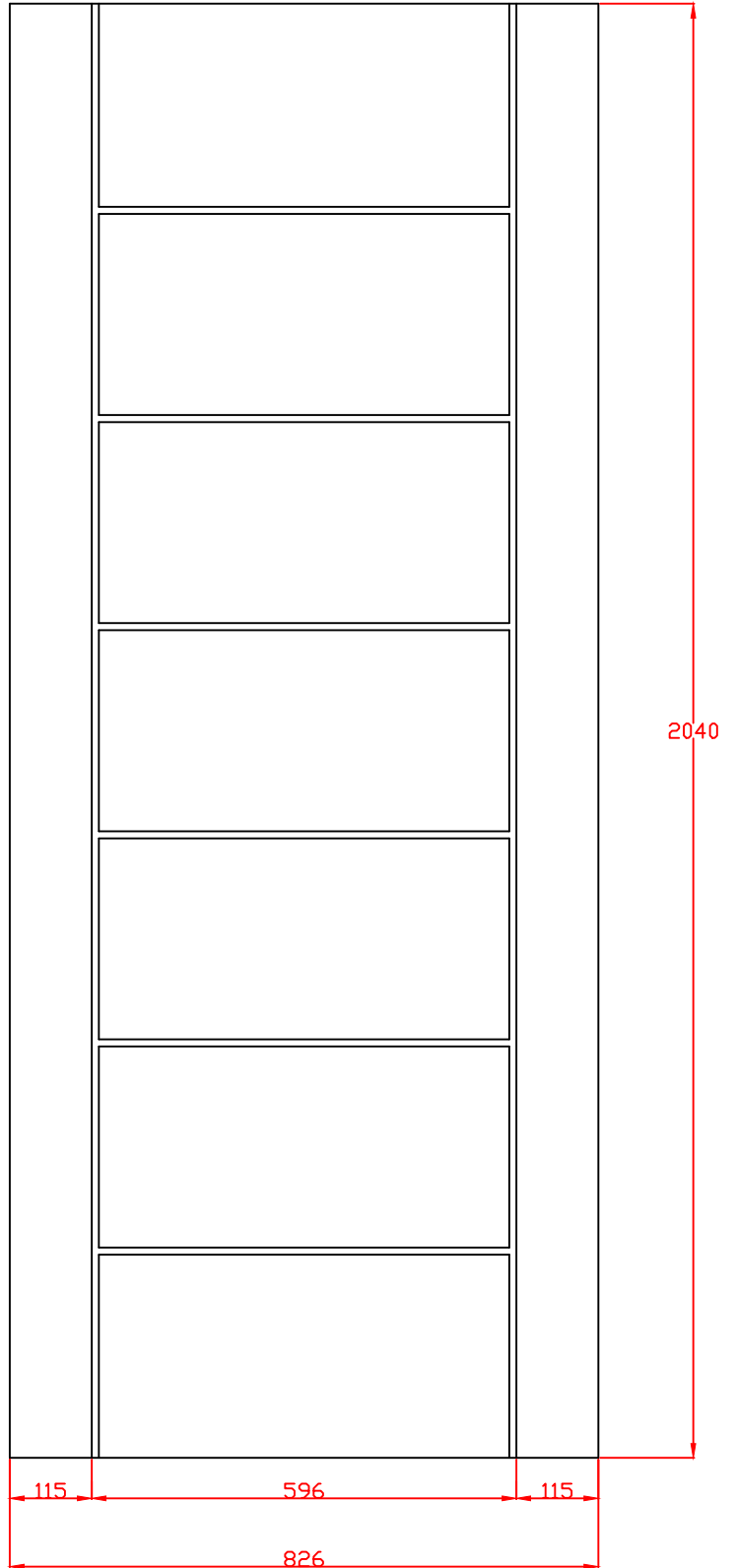
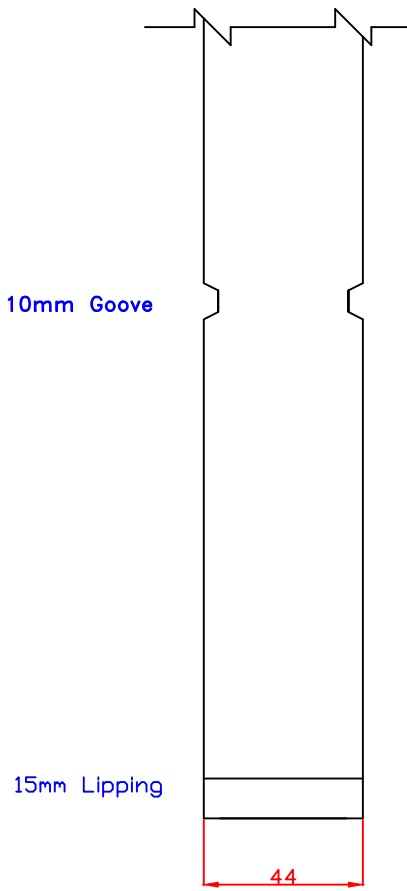
These drawing designs are the registered intellectual property of XL Joinery Limited. Any attempt to share this information by copying and / or distribution of these drawings beyond the intended user may be considered a breach of the protected intellectual property design registration and may result in legal action."



	ISO 9001 Quality Management Systems CERTIFIED	ISO 14001 Environmental Management CERTIFIED
	<small>FM518105</small>	<small>EMS578330</small>
XL Joinery Ltd. Holden Ing Way, Birstall, West Yorkshire, WF17 9AD 01924 350501 www.xljoinery.co.uk		

TITLE	APPROVED BY	REMARKS	DRAWN BY: Sara Tweddle
WPPAL726-FD Internal White Primed Palermo Fire Door 2040 x 726 x 44mm			SCALE:
			DRAWING NO:
			CHECK BY:
			DATE ISSUED: 26/11/24
			Revision 2

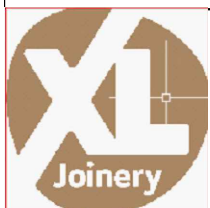
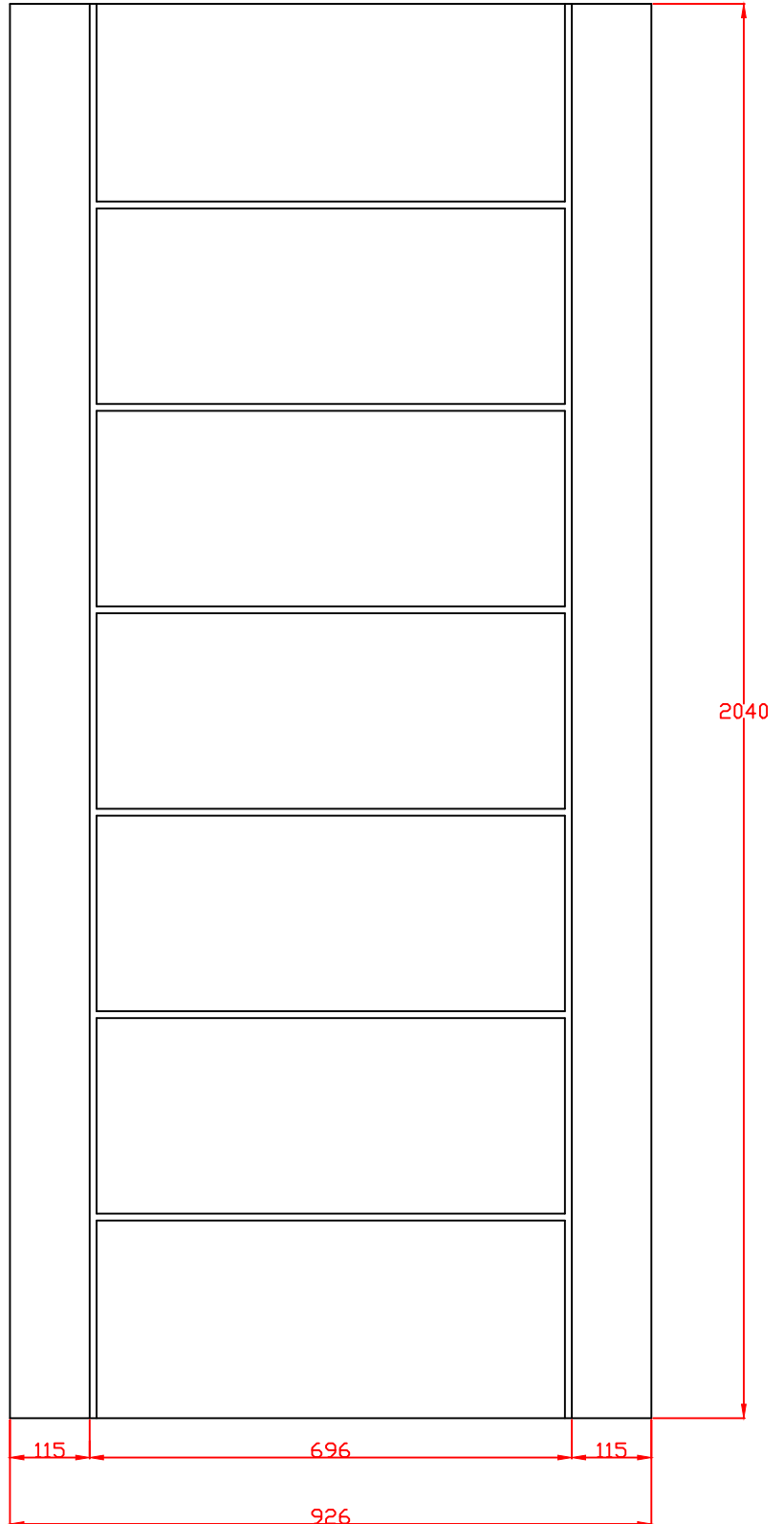
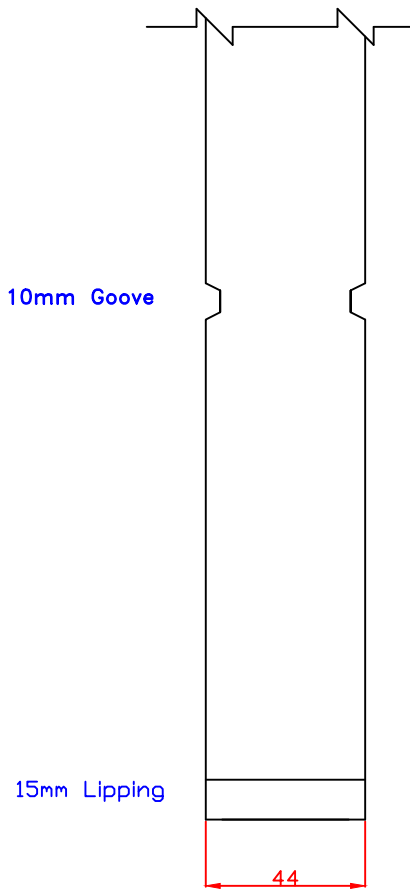
These drawing designs are the registered intellectual property of XL Joinery Limited. Any attempt to share this information by copying and / or distribution of these drawings beyond the intended user may be considered a breach of the protected intellectual property design registration and may result in legal action."



	ISO 9001 Quality Management Systems CERTIFIED	ISO 14001 Environmental Management CERTIFIED
	<small>FM518105</small>	<small>EMS578330</small>
XL Joinery Ltd. Holden Ing Way, Birstall, West Yorkshire, WF17 9AD 01924 350501 www.xljoinery.co.uk		

TITLE	APPROVED BY	REMARKS	DRAWN BY: Sara Twedde
WPPAL826-FD Internal White Primed Palermo Fire Door 2040 x 826 x 44mm			SCALE:
			DRAWING NO:
			CHECK BY:
			DATE ISSUED: 26/11/24
			Revision 2

These drawing designs are the registered intellectual property of XL Joinery Limited. Any attempt to share this information by copying and / or distribution of these drawings beyond the intended user may be considered a breach of the protected intellectual property design registration and may result in legal action."



XL Joinery Ltd.
Holden Ing Way, Birstall, West Yorkshire, WF17 9AD
01924 350501 | www.xljoinery.co.uk

TITLE	APPROVED BY	REMARKS	DRAWN BY: Sara Twedde
WPPAL926-FD Internal White Primed Palermo Fire Door 2040 x 926 x 44mm			SCALE:
			DRAWING NO:
			CHECK BY:
			DATE ISSUED: 26/11/24
			Revision 2