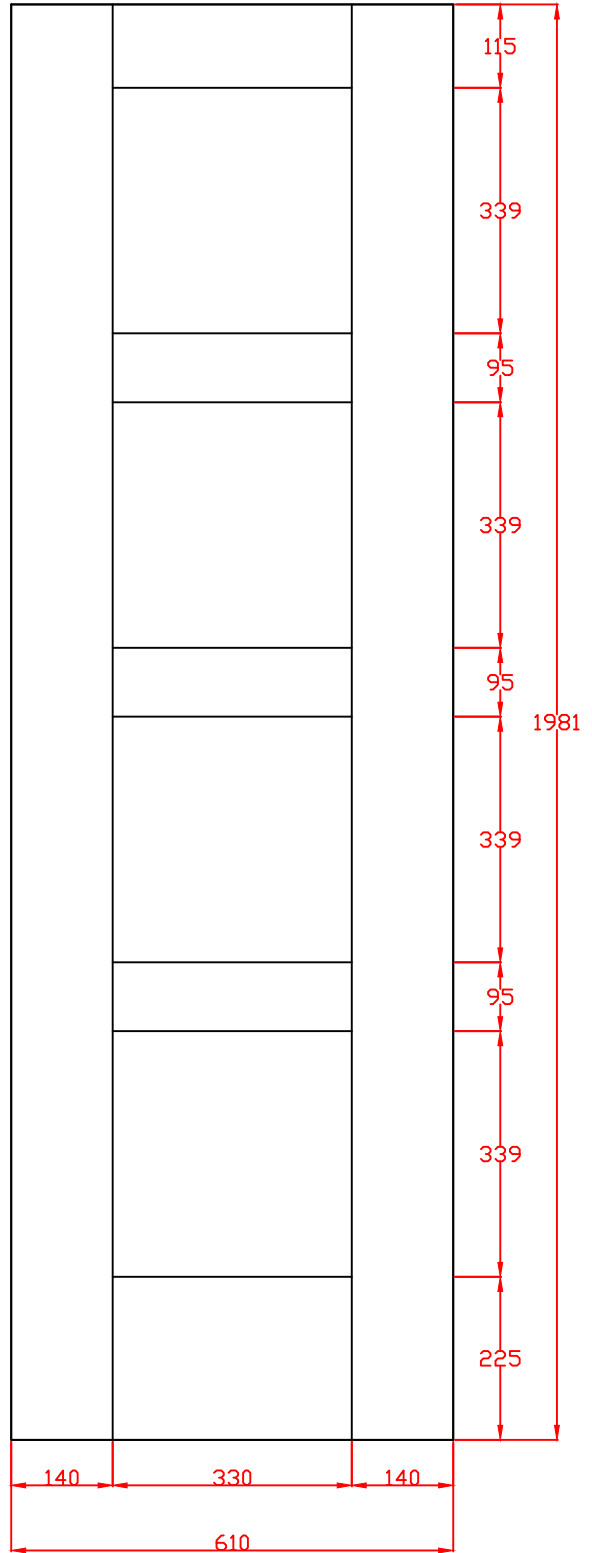
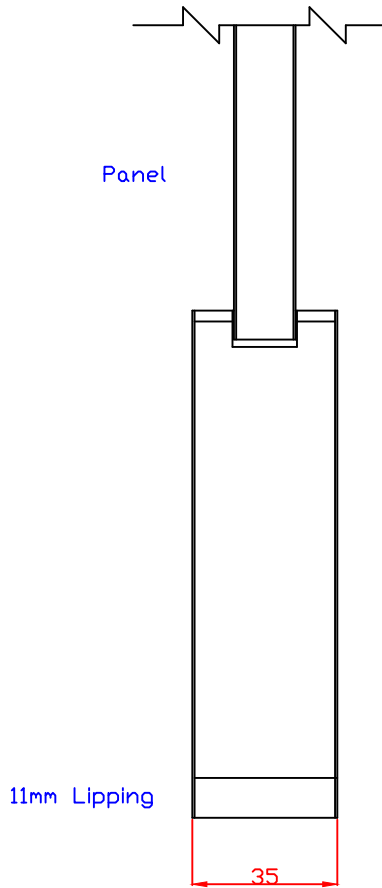




Technical drawings
PFINTOSHA4P
Pre-Finished Oak Shaker 4 Panel

These drawing designs are the registered intellectual property of XL Joinery Limited. Any attempt to share this information by copying and / or distribution of these drawings beyond the intended user may be considered a breach of the protected intellectual property design registration and may result in legal action."



XL Joinery Ltd.
Holden Ing Way, Birstall, West Yorkshire, WF17 9AD
01924 350501 | www.xljoinery.co.uk

TITLE
PFINTOSHA4P24
Pre Finished Oak
Internal Shaker 4
Panel
1981 x 610 x 35

APPROVED BY

REMARKS

DRAWN BY: Sara Tweddle

SCALE:

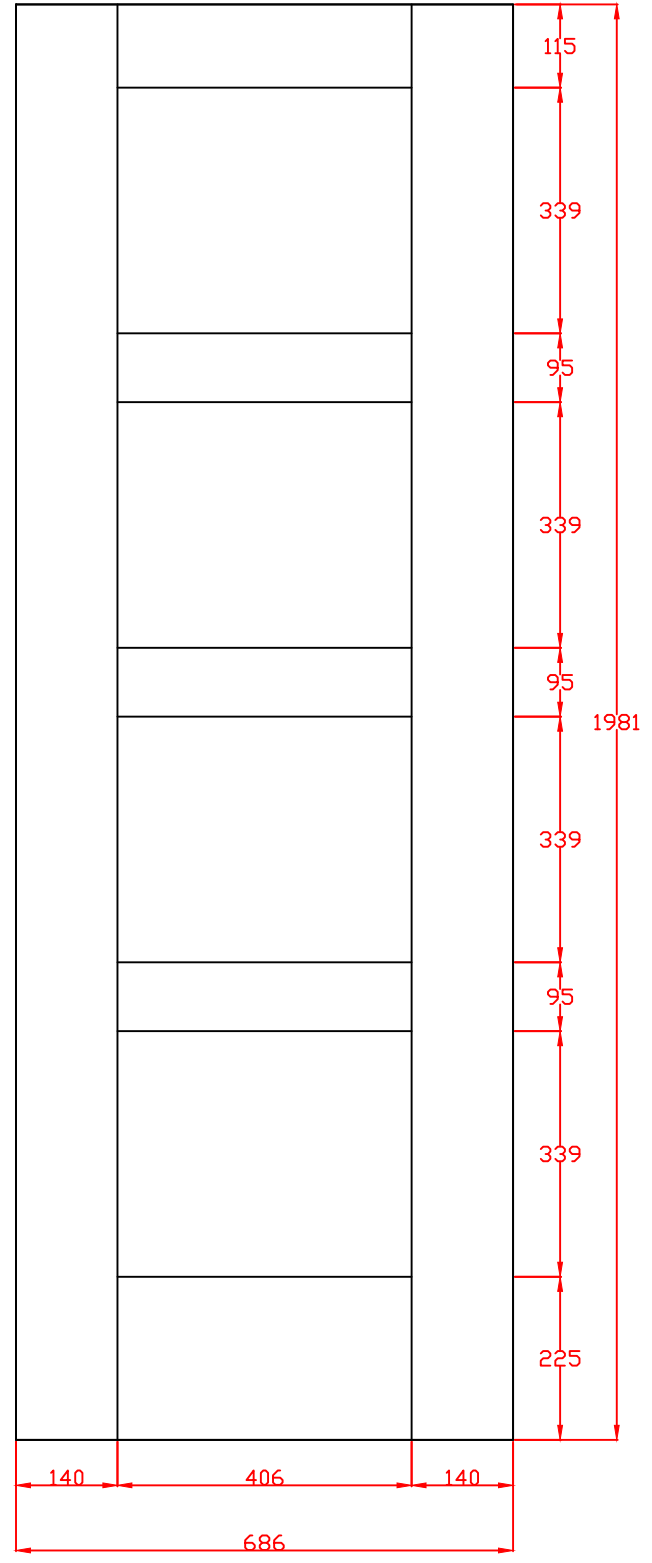
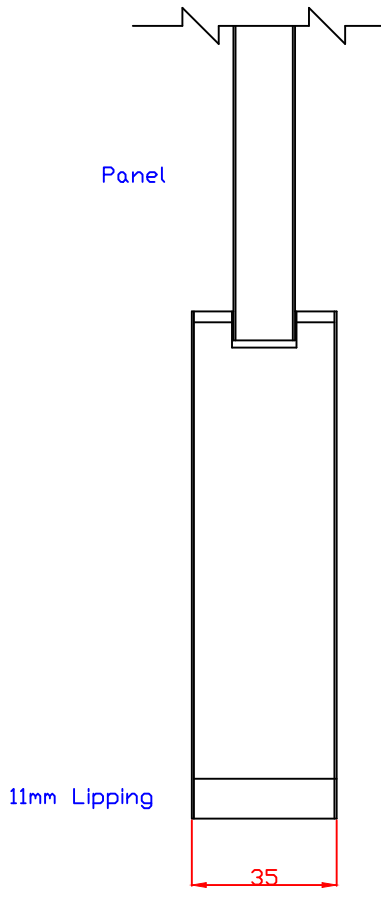
DRAWING NO:

CHECK BY:

DATE ISSUED: 15/11/24

Revision	2
----------	---

These drawing designs are the registered intellectual property of XL Joinery Limited. Any attempt to share this information by copying and / or distribution of these drawings beyond the intended user may be considered a breach of the protected intellectual property design registration and may result in legal action."



bsi
 ISO 9001 Quality Management Systems CERTIFIED FM518105
 ISO 14001 Environmental Management Systems CERTIFIED EM5578330

XL Joinery Ltd.
 Holden Ing Way, Birstall, West Yorkshire, WF17 9AD
 01924 350501 | www.xljoinery.co.uk

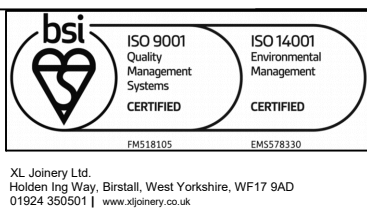
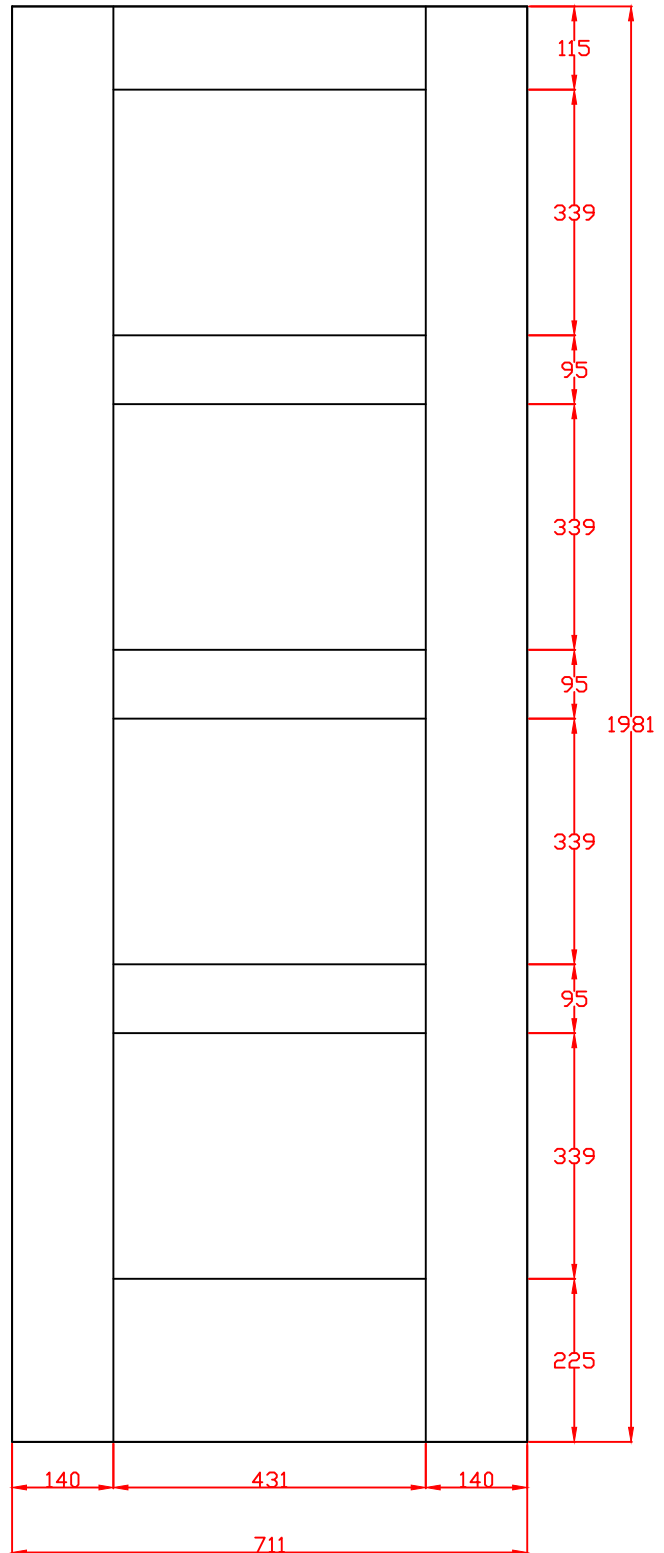
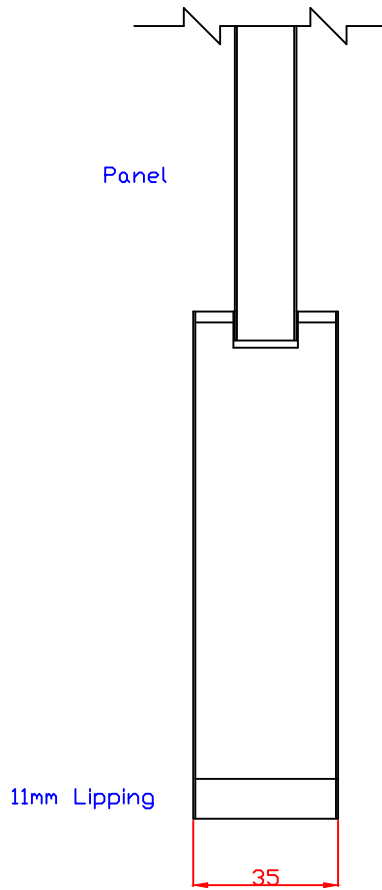
TITLE
 PFINTOSHA4P27
 Pre Finished Oak
 Internal Shaker 4
 Panel
 1981 x 686 x 35

APPROVED BY

REMARKS

DRAWN BY: Sara Tweddle	
SCALE:	
DRAWING NO:	
CHECK BY:	
DATE ISSUED: 15/11/24	Revision 2

These drawing designs are the registered intellectual property of XL Joinery Limited. Any attempt to share this information by copying and / or distribution of these drawings beyond the intended user may be considered a breach of the protected intellectual property design registration and may result in legal action."



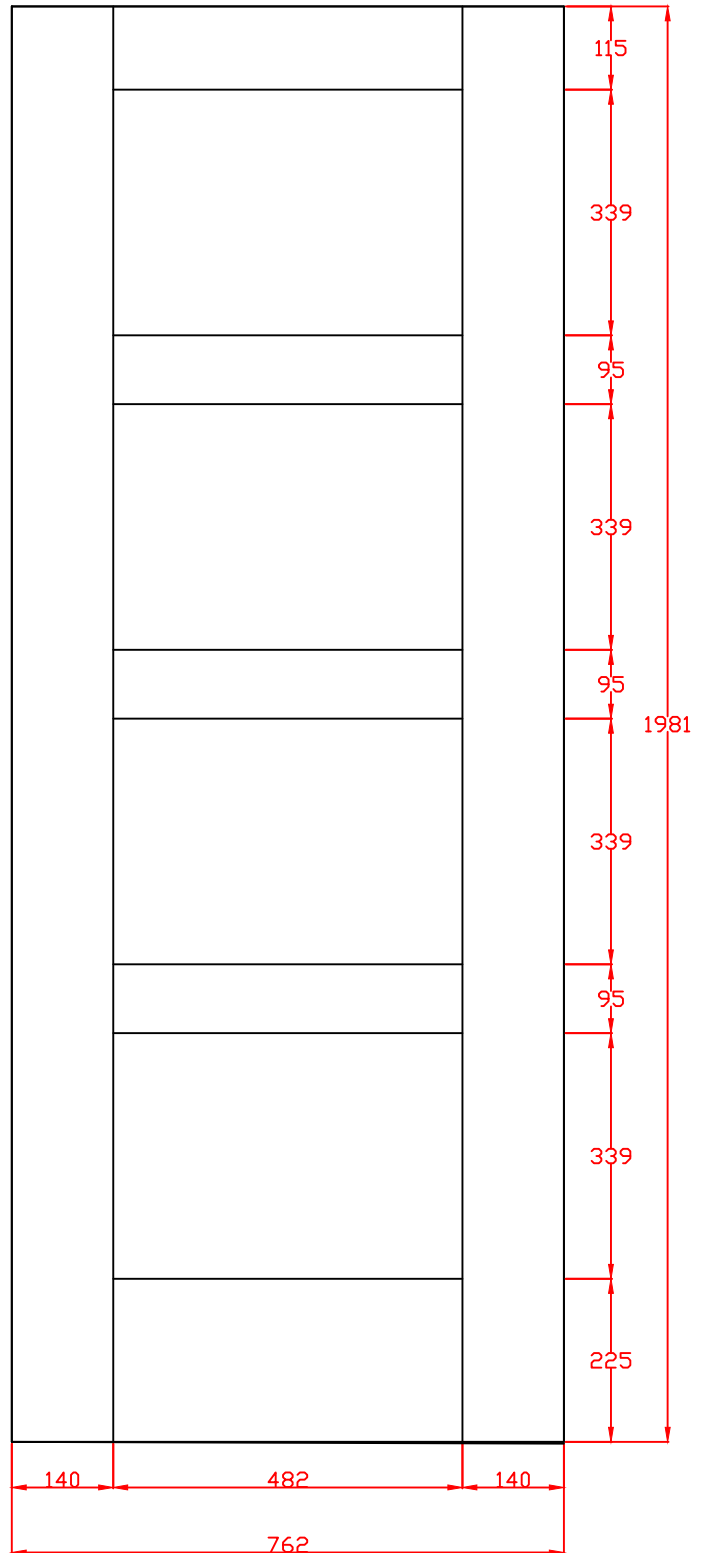
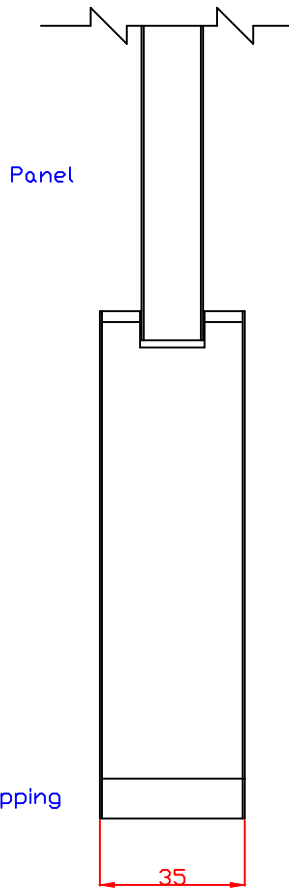
TITLE
PFINTOSHA4P28 Pre Finished Oak Internal Shaker 4 Panel 1981 x 711 x 35

APPROVED BY

REMARKS

DRAWN BY: Sara Twedde
SCALE:
DRAWING NO:
CHECK BY:
DATE ISSUED: 15/11/24
Revision 2

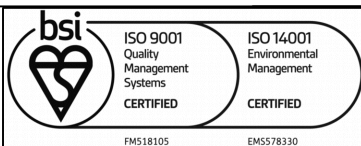
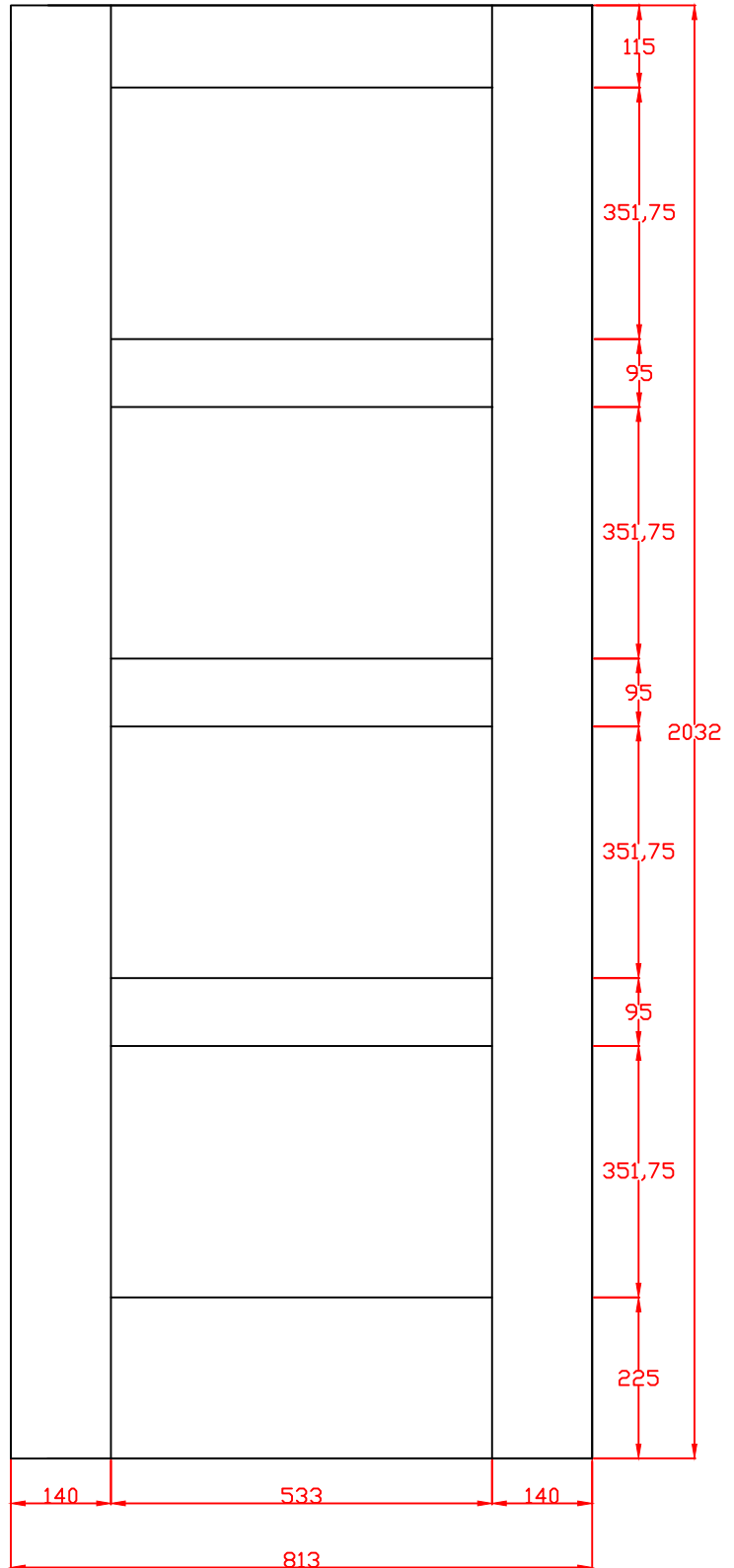
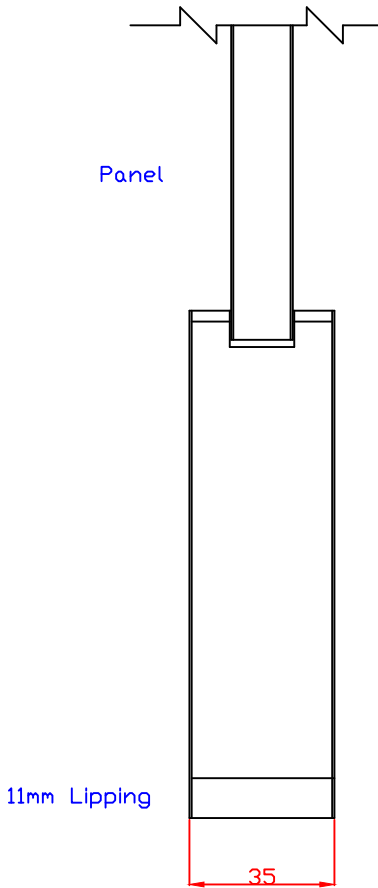
These drawing designs are the registered intellectual property of XL Joinery Limited. Any attempt to share this information by copying and / or distribution of these drawings beyond the intended user may be considered a breach of the protected intellectual property design registration and may result in legal action."



XL Joinery Ltd.
Holden Ing Way, Birstall, West Yorkshire, WF17 9AD
01924 350501 | www.xljoinery.co.uk

TITLE	APPROVED BY	REMARKS	DRAWN BY: Sara Tweddle
PFINTOSHA4P30 Pre Finished Oak Internal Shaker 4 Panel 1981 x 762 x 35			SCALE:
			DRAWING NO:
			CHECK BY:
			DATE ISSUED: 15/11/24
			Revision 2

These drawing designs are the registered intellectual property of XL Joinery Limited. Any attempt to share this information by copying and / or distribution of these drawings beyond the intended user may be considered a breach of the protected intellectual property design registration and may result in legal action."



XL Joinery Ltd.
Holden Ing Way, Birstall, West Yorkshire, WF17 9AD
01924 350501 | www.xljoinery.co.uk

TITLE
PFINTOSHA4P32
Pre Finished Oak
Internal Shaker 4
Panel
2032 x 813 x 35

APPROVED BY

REMARKS

DRAWN BY: Sara Tweddle

SCALE:

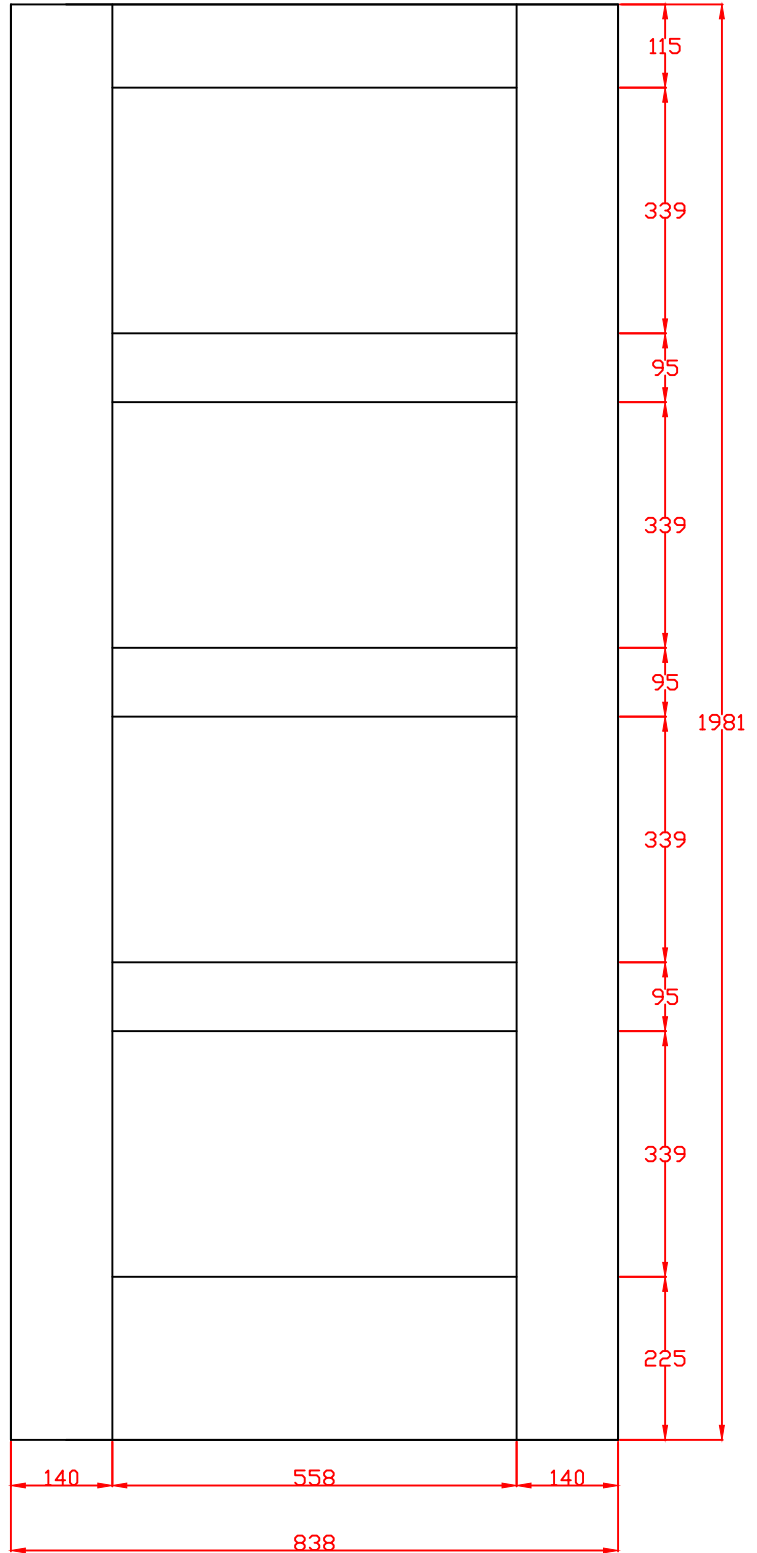
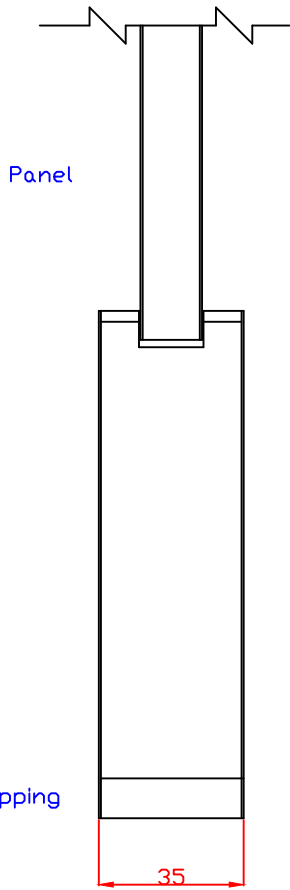
DRAWING NO:

CHECK BY:

DATE ISSUED: 15/11/24

Revision
2

These drawing designs are the registered intellectual property of XL Joinery Limited. Any attempt to share this information by copying and / or distribution of these drawings beyond the intended user may be considered a breach of the protected intellectual property design registration and may result in legal action."



XL Joinery Ltd.
Holden Ing Way, Birstall, West Yorkshire, WF17 9AD
01924 350501 | www.xljoinery.co.uk

TITLE
PFINTDSHA4P33
Pre Finished Oak
Internal Shaker 4
Panel
1981 x 838 x 35

APPROVED BY

REMARKS

DRAWN BY: Sara Twedde

SCALE:

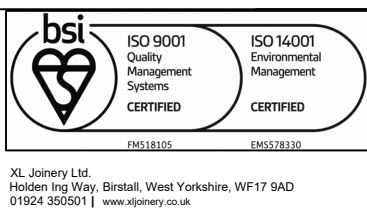
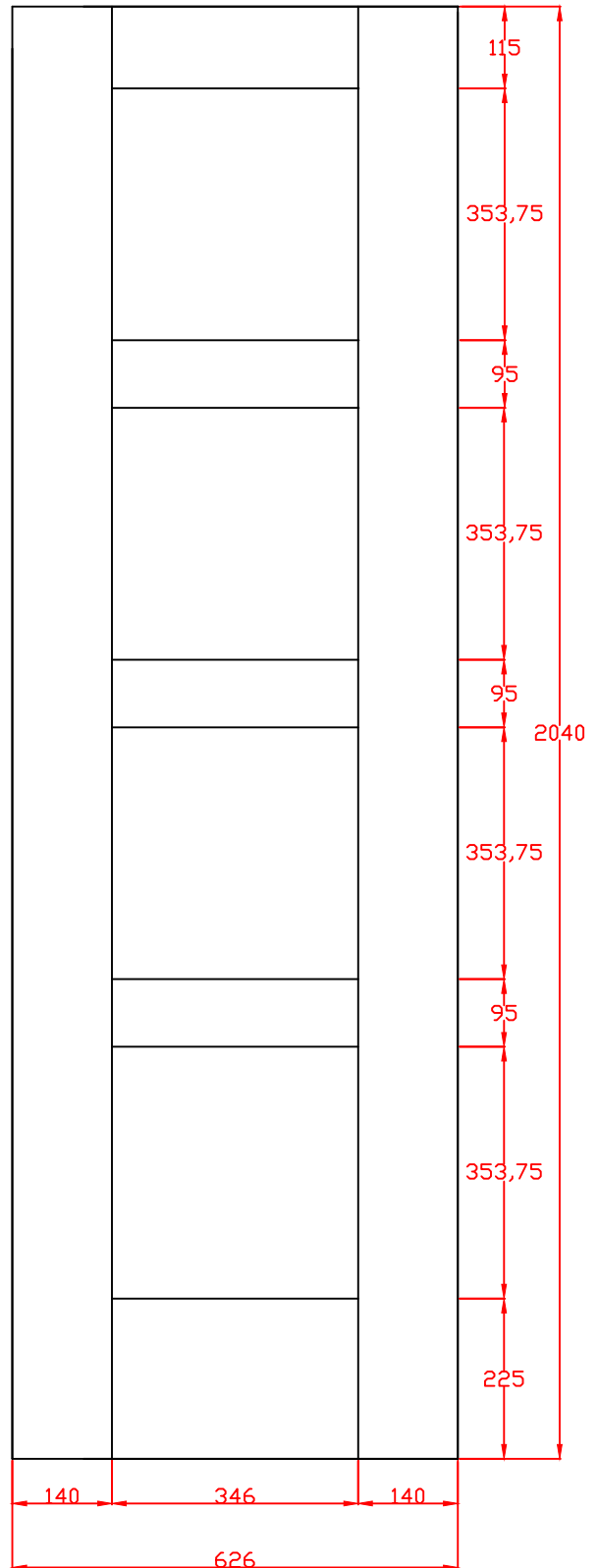
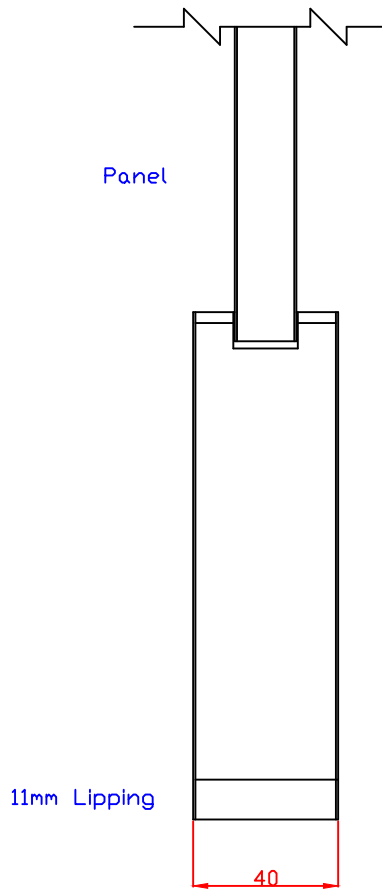
DRAWING NO:

CHECK BY:

DATE ISSUED: 15/11/24

Revision
2

These drawing designs are the registered intellectual property of XL Joinery Limited. Any attempt to share this information by copying and / or distribution of these drawings beyond the intended user may be considered a breach of the protected intellectual property design registration and may result in legal action."



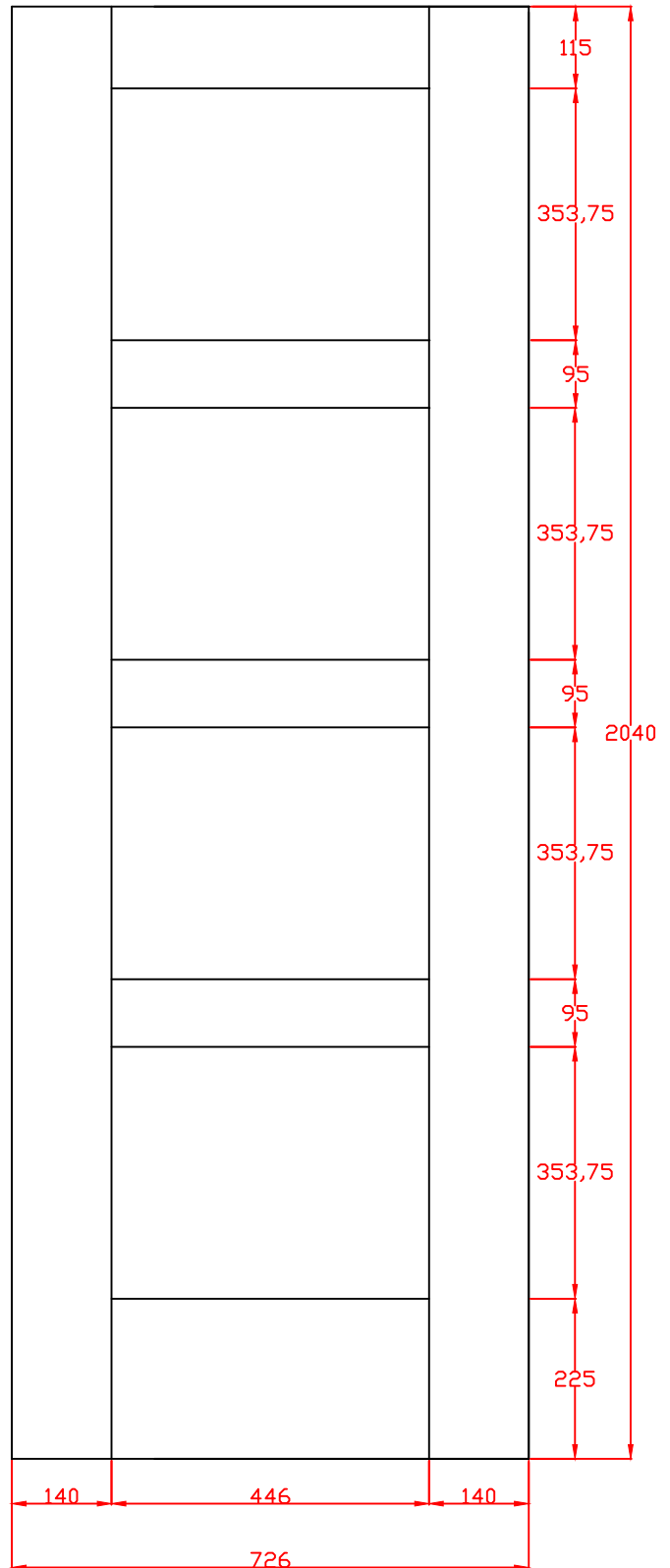
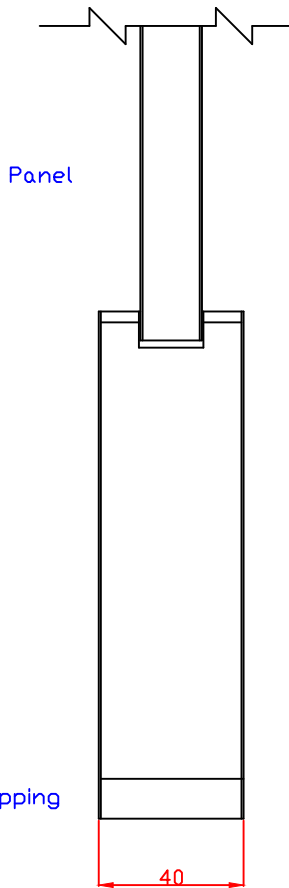
TITLE
PFINTOSHA4P626 Prefinished Oak Internal Shaker 4 Panel 2040 x 626 x 40

APPROVED BY

REMARKS

DRAWN BY: Sara Tweddle
SCALE:
DRAWING NO:
CHECK BY:
DATE ISSUED: 15/11/24
Revision 2

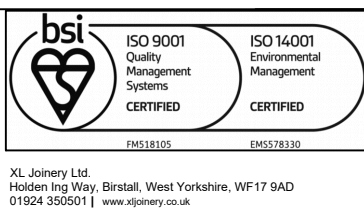
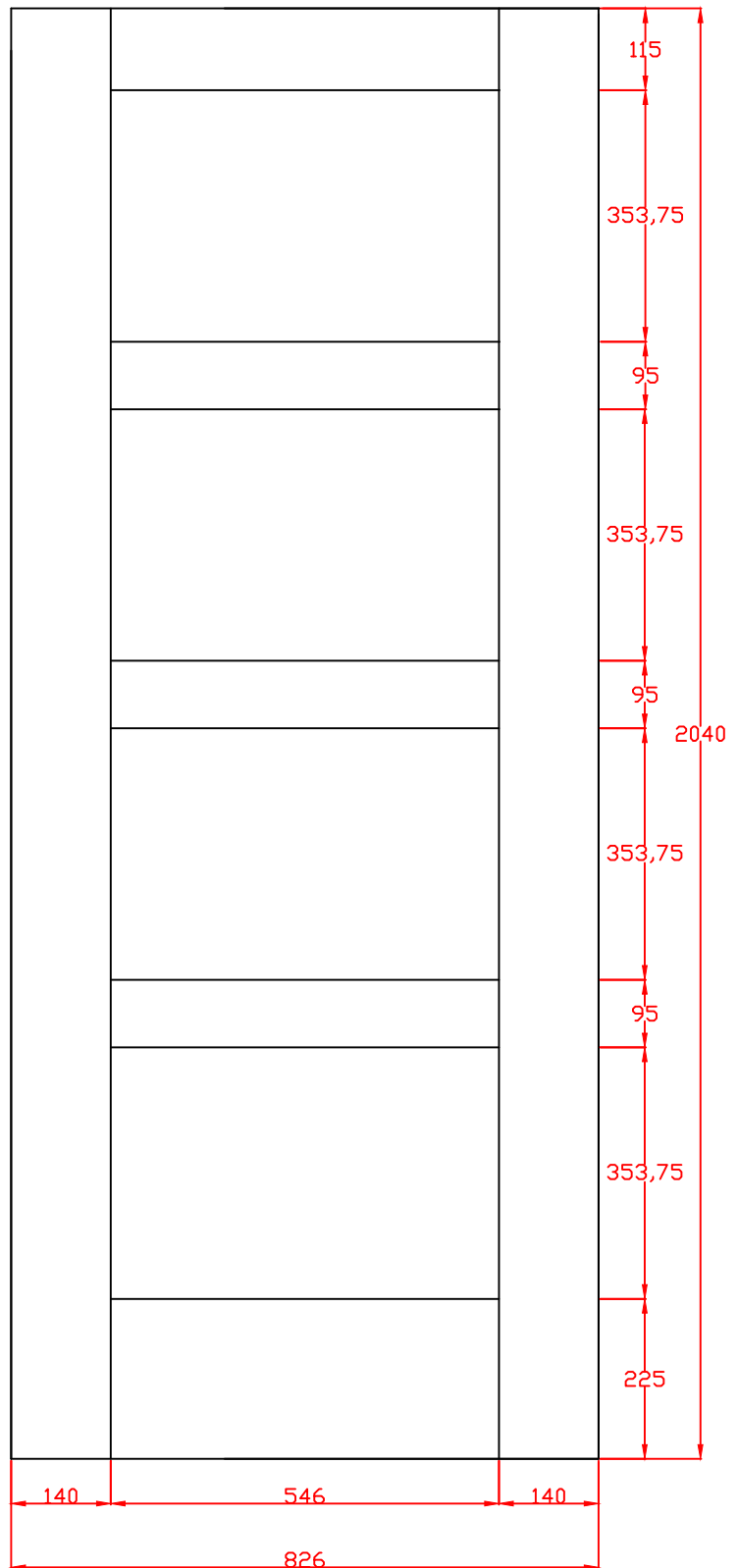
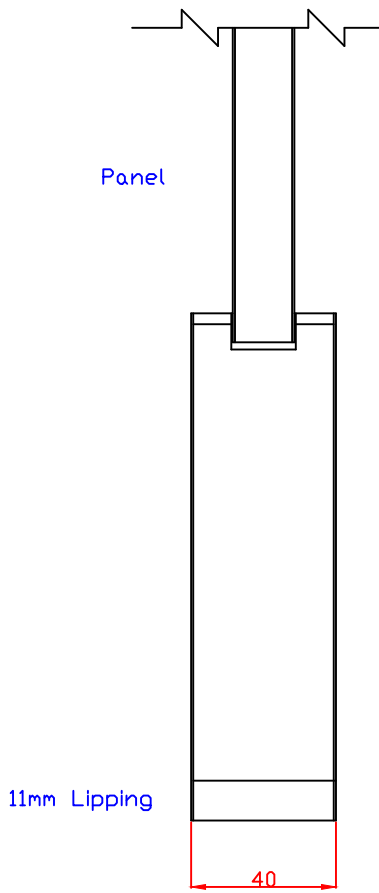
These drawing designs are the registered intellectual property of XL Joinery Limited. Any attempt to share this information by copying and / or distribution of these drawings beyond the intended user may be considered a breach of the protected intellectual property design registration and may result in legal action."



XL Joinery Ltd.
Holden Ing Way, Birstall, West Yorkshire, WF17 9AD
01924 350501 | www.xljoinery.co.uk

TITLE	APPROVED BY	REMARKS	DRAWN BY: Sara Twedde
PFINTOSHA4P726 Prefinished Oak Internal Shaker 4 Panel 2040 x 726 x 40			SCALE:
			DRAWING NO:
			CHECK BY:
			DATE ISSUED: 15/11/24
			Revision 2

These drawing designs are the registered intellectual property of XL Joinery Limited. Any attempt to share this information by copying and / or distribution of these drawings beyond the intended user may be considered a breach of the protected intellectual property design registration and may result in legal action."



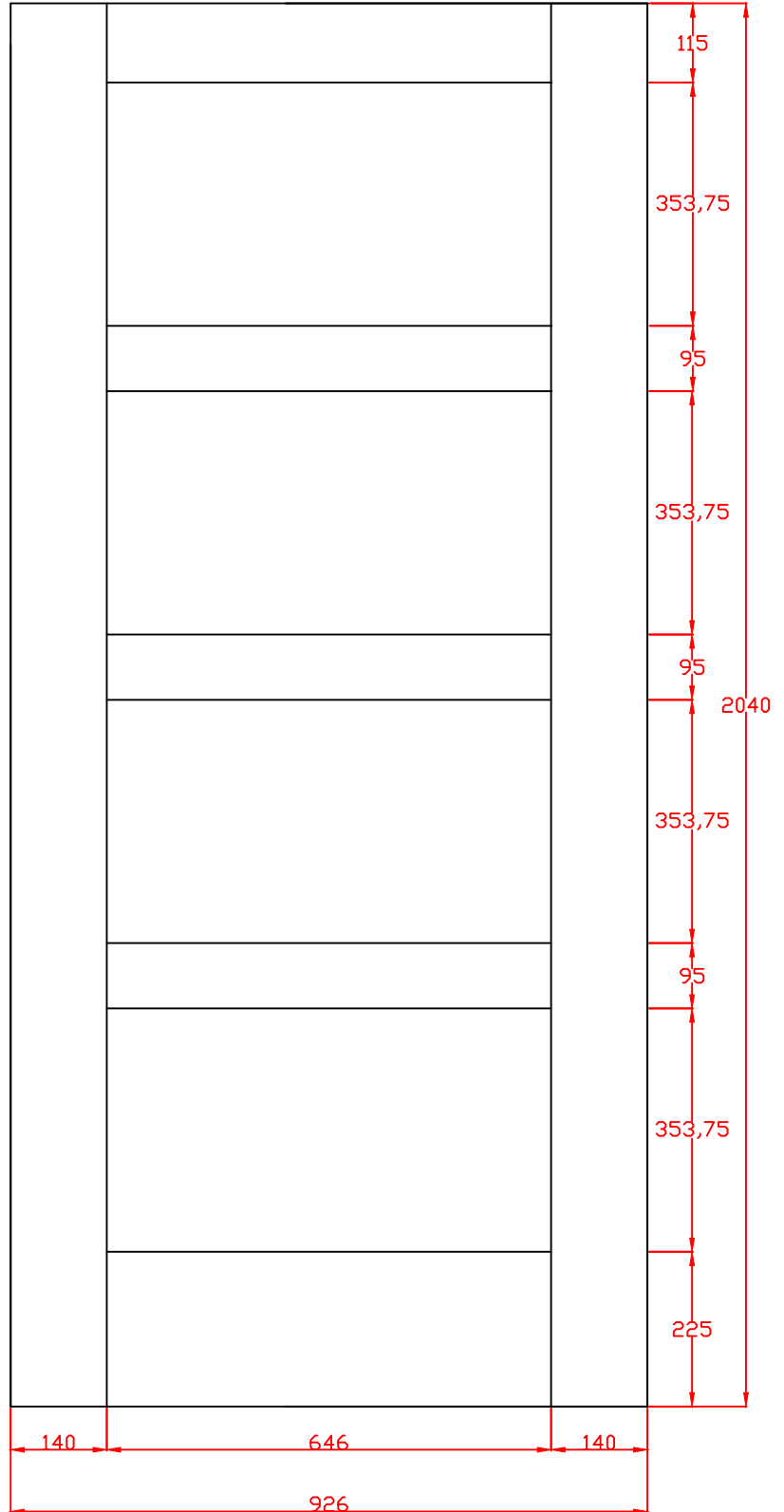
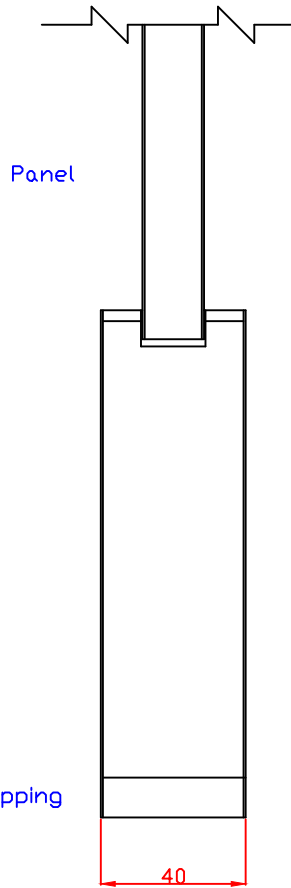
TITLE
PFINTQSHA4P826 Prefinished Oak Internal Shaker 4 Panel 2040 x 826 x 40

APPROVED BY

REMARKS

DRAWN BY: Sara Tweddle
SCALE:
DRAWING NO:
CHECK BY:
DATE ISSUED: 15/11/24
Revision 2

These drawing designs are the registered intellectual property of XL Joinery Limited. Any attempt to share this information by copying and / or distribution of these drawings beyond the intended user may be considered a breach of the protected intellectual property design registration and may result in legal action."



XL Joinery Ltd.
Holden Ing Way, Birstall, West Yorkshire, WF17 9AD
01924 350501 | www.xljoinery.co.uk

TITLE	APPROVED BY	REMARKS	DRAWN BY: Sara Tweddle
PFINTOSHA4P926 Prefinished Oak Internal Shaker 4 Panel 2040 x 926 x 40			SCALE:
			DRAWING NO:
			CHECK BY:
			DATE ISSUED: 15/11/24
			Revision 2