

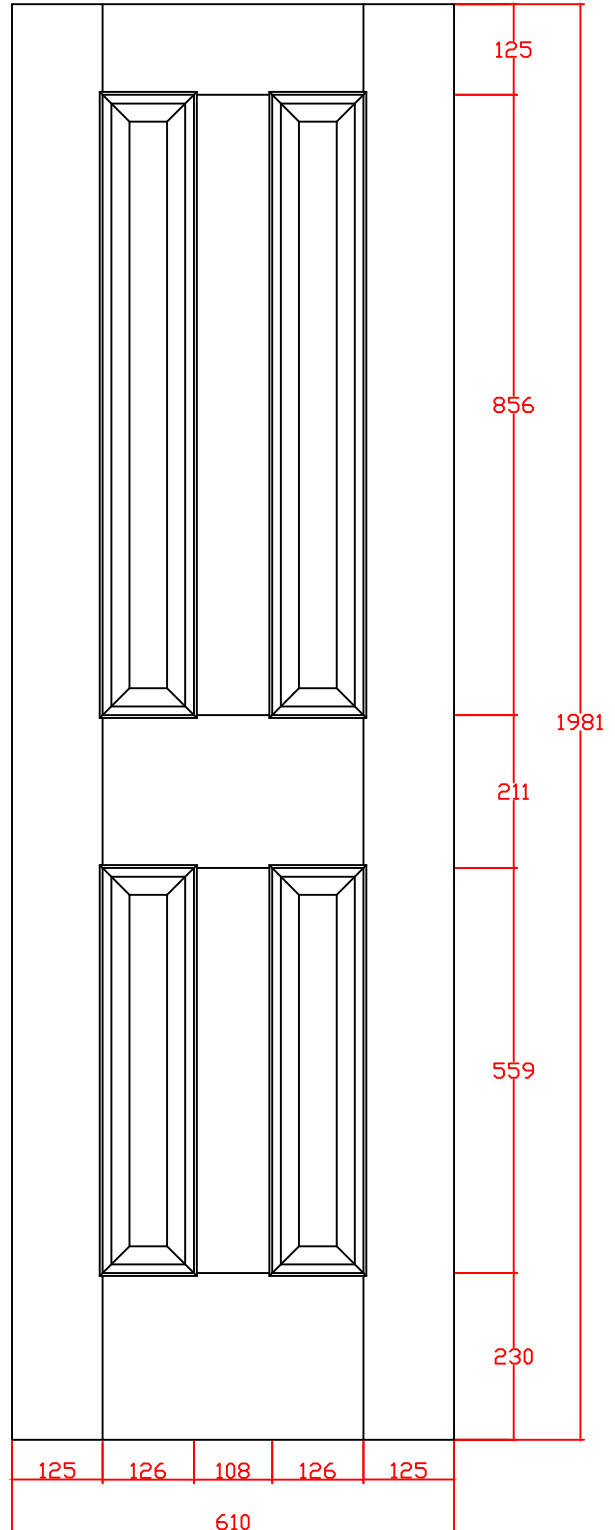
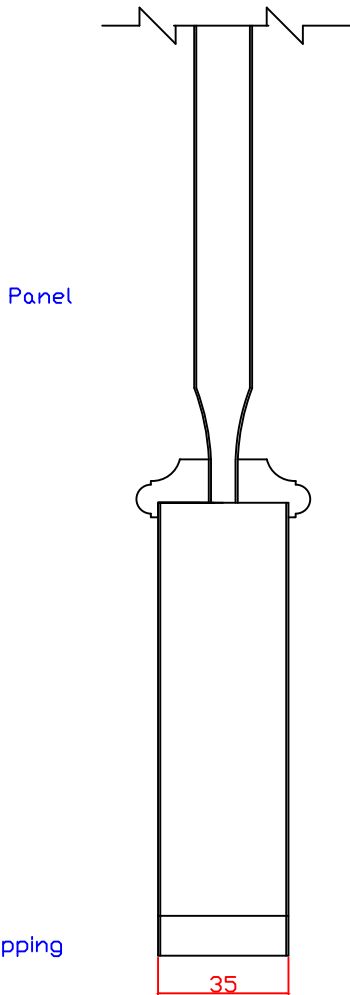


Technical drawings

INTOVICRM

Unfinished Oak Victorian 4 Panel
with Raised Mouldings

These drawing designs are the registered intellectual property of XL Joinery Limited. Any attempt to share this information by copying and / or distribution of these drawings beyond the intended user may be considered a breach of the protected intellectual property design registration and may result in legal action."



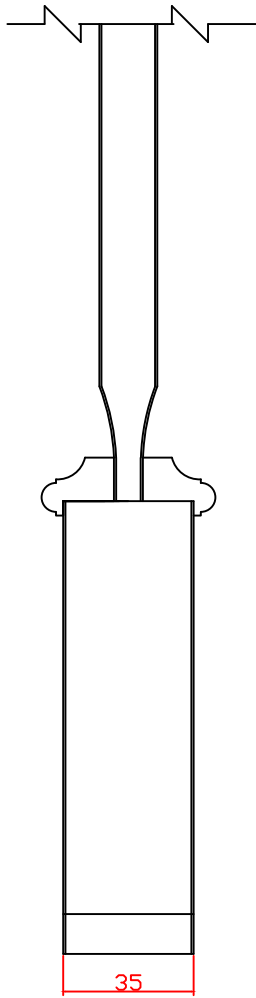
bsi
 ISO 9001 Quality Management Systems CERTIFIED
 ISO 14001 Environmental Management Systems CERTIFIED
 FMS18105 EMS578330

XL Joinery Ltd.
 Holden Ing Way, Birstall, West Yorkshire, WF17 9AD
 01924 350501 | www.xljoinery.co.uk

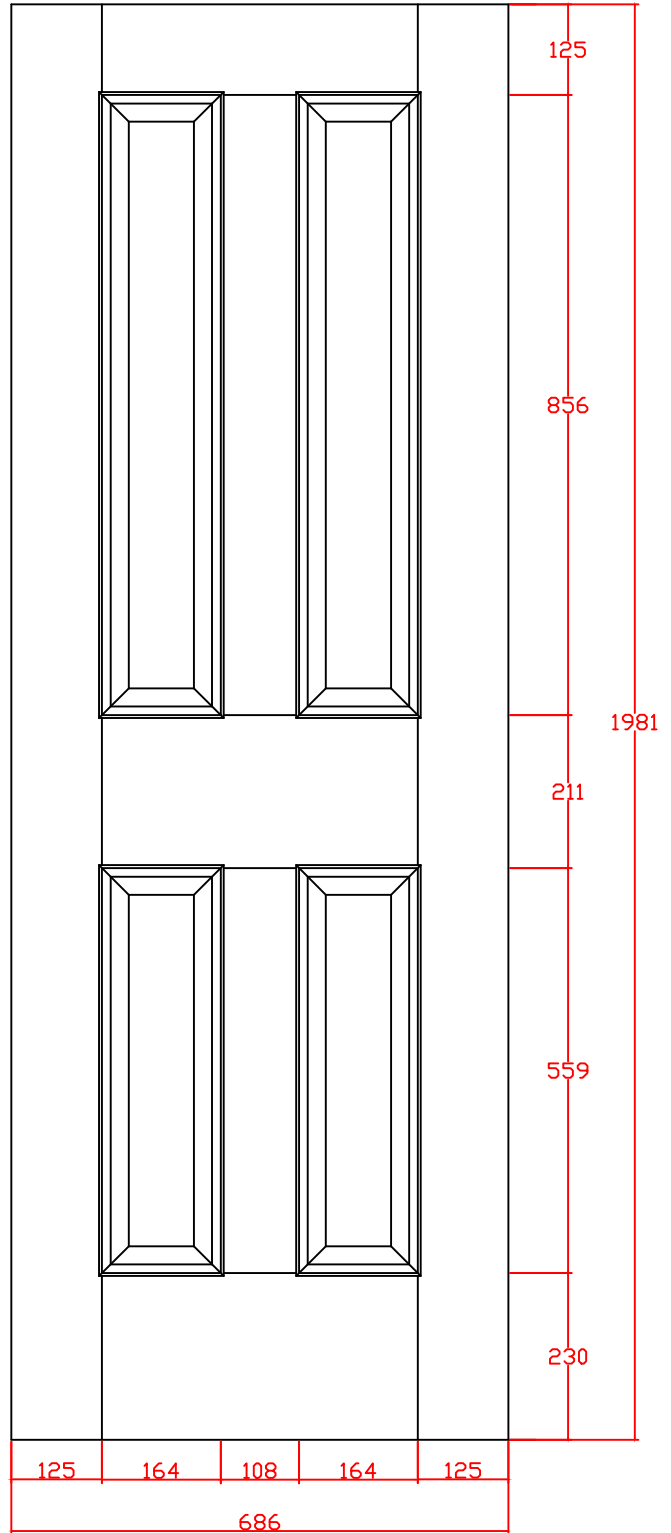
TITLE	APPROVED BY	REMARKS	DRAWN BY: Sara Tweddle
INTOVIC24RM Oak Victorian 4 Panel with Raised Mouldings 1981 X 610 x 35mm			SCALE:
			DRAWING NO:
			CHECK BY:
			DATE ISSUED: 13/11/24
			Revision 2

These drawing designs are the registered intellectual property of XL Joinery Limited. Any attempt to share this information by copying and / or distribution of these drawings beyond the intended user may be considered a breach of the protected intellectual property design registration and may result in legal action."

Panel



11mm Lipping



XL Joinery Ltd.
Holden Ing Way, Birstall, West Yorkshire, WF17 9AD
01924 350501 | www.xljoinery.co.uk

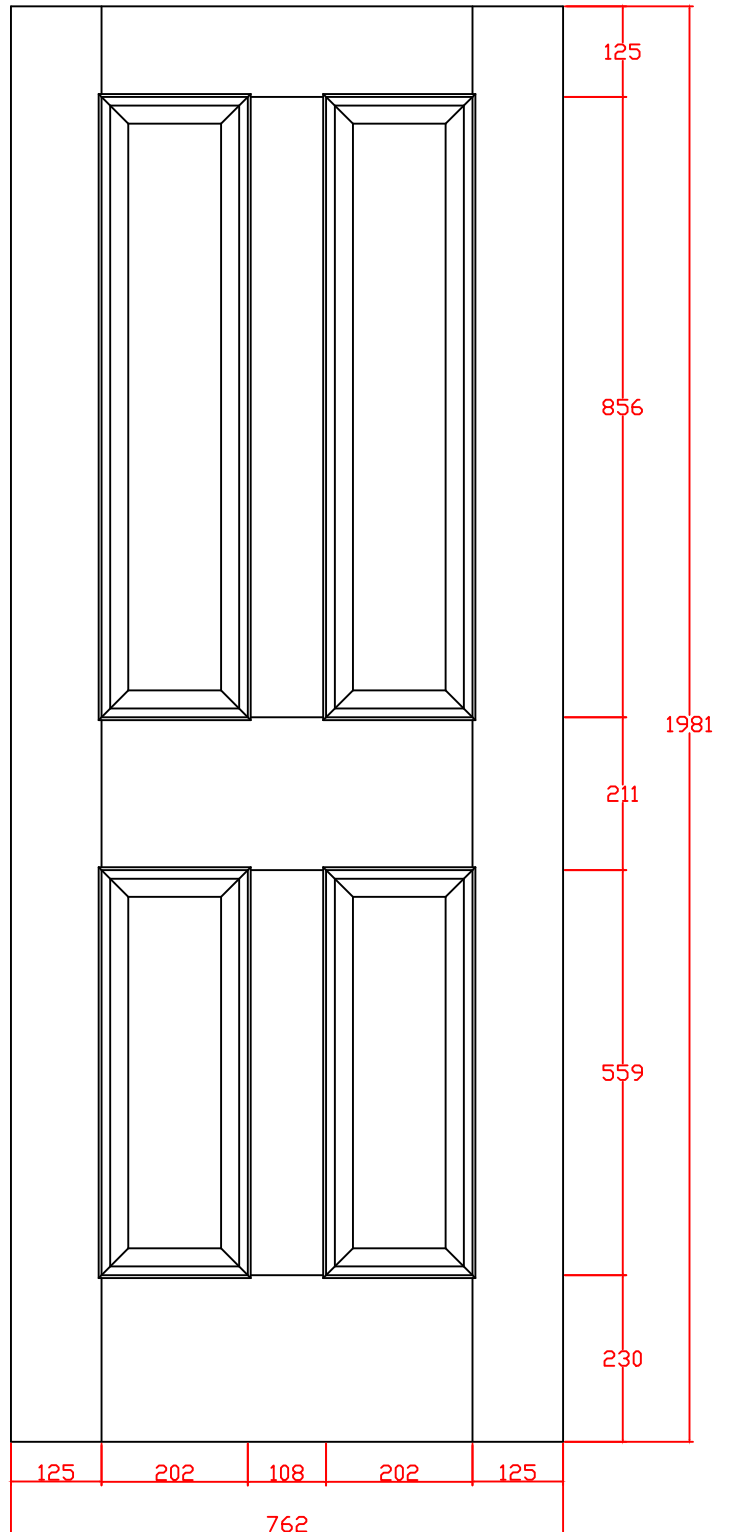
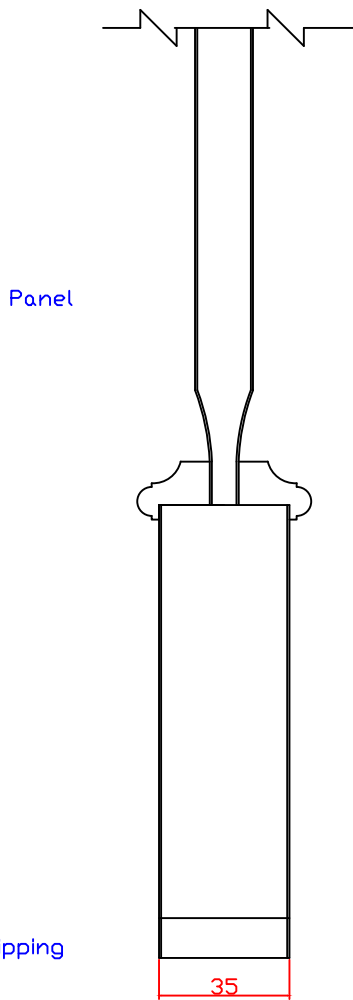
TITLE	APPROVED BY	REMARKS	DRAWN BY: Sara Tweddle
INTOVIC27RM Oak Victorian 4 Panel with Raised Mouldings 1981 X 686 x 35mm			SCALE: DRAWING NO: CHECK BY:
			DATE ISSUED: 13/11/24

APPROVED BY	REMARKS

REVISION
2

DATE ISSUED: 13/11/24	Revision 2
-----------------------	---------------

These drawing designs are the registered intellectual property of XL Joinery Limited. Any attempt to share this information by copying and / or distribution of these drawings beyond the intended user may be considered a breach of the protected intellectual property design registration and may result in legal action."



bsi
 ISO 9001 Quality Management Systems CERTIFIED
 ISO 14001 Environmental Management Systems CERTIFIED
 FMS18105 EMSS78330

XL Joinery Ltd.
 Holden Ing Way, Birstall, West Yorkshire, WF17 9AD
 01924 350501 | www.xljoinery.co.uk

TITLE
INTOVIC30RM
Dak Victorian 4
Panel with Raised
Mouldings
1981 X 762 x 35mm

APPROVED BY

REMARKS

DRAWN BY: **Sara Tweddle**

SCALE:

DRAWING NO:

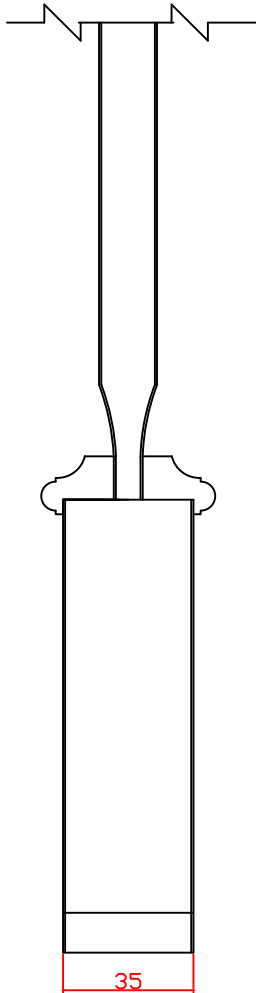
CHECK BY:

DATE ISSUED: **13/11/24**

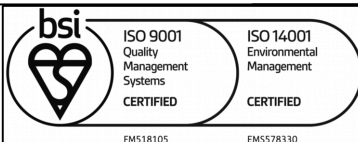
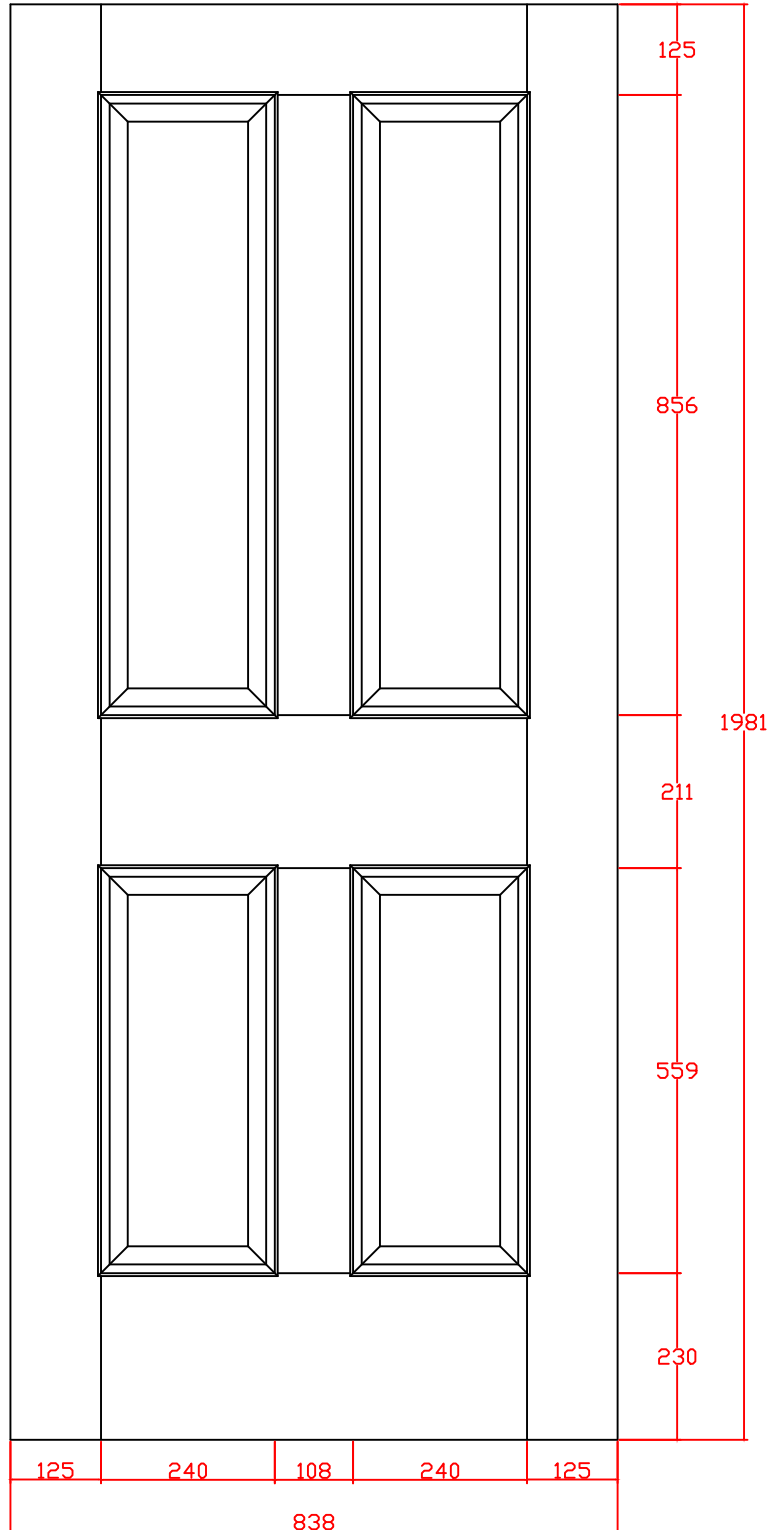
Revision
2

These drawing designs are the registered intellectual property of XL Joinery Limited. Any attempt to share this information by copying and / or distribution of these drawings beyond the intended user may be considered a breach of the protected intellectual property design registration and may result in legal action."

Panel



11mm Lipping

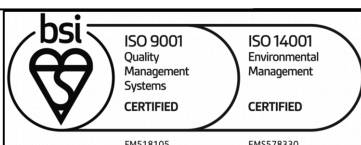
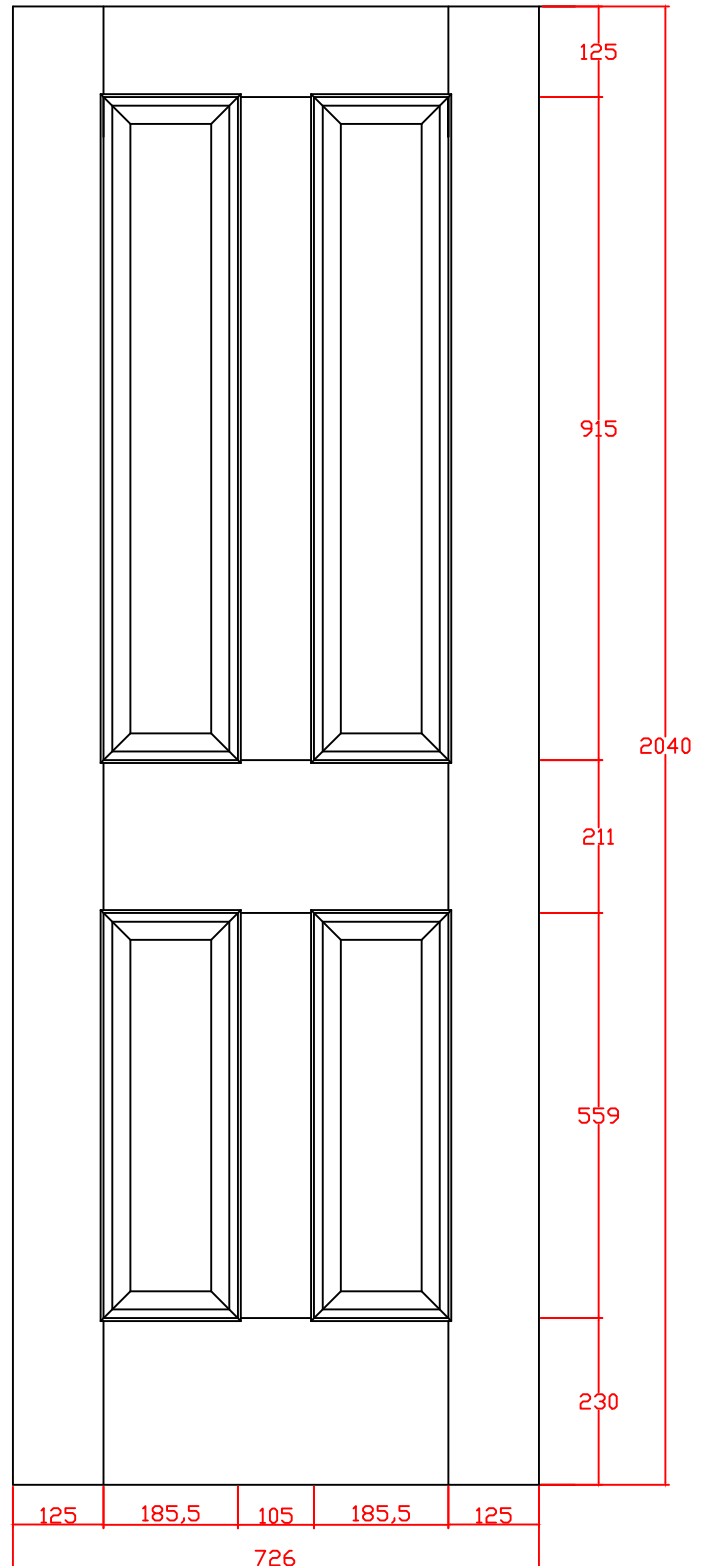
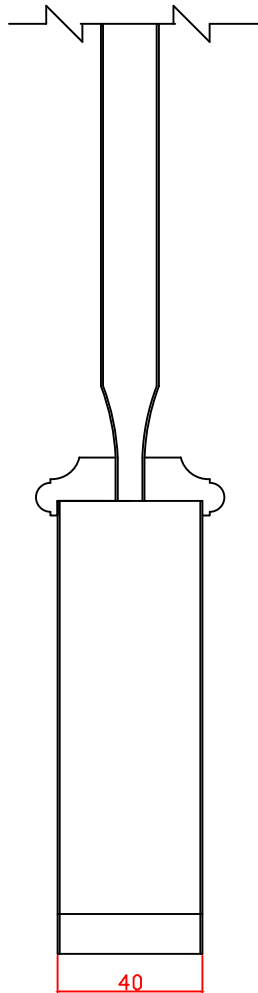


XL Joinery Ltd.
Holden Ing Way, Birstall, West Yorkshire, WF17 9AD
01924 350501 | www.xljoinery.co.uk

TITLE	APPROVED BY	REMARKS	DRAWN BY: Sara Tweddle
INTOVIC33RM Oak Victorian 4 Panel with Raised Mouldings 1981 X 838 x 35mm			SCALE:
			DRAWING NO:
			CHECK BY:
			DATE ISSUED: 01/06/17
			ISSUE

These drawing designs are the registered intellectual property of XL Joinery Limited. Any attempt to share this information by copying and / or distribution of these drawings beyond the intended user may be considered a breach of the protected intellectual property design registration and may result in legal action."

Panel



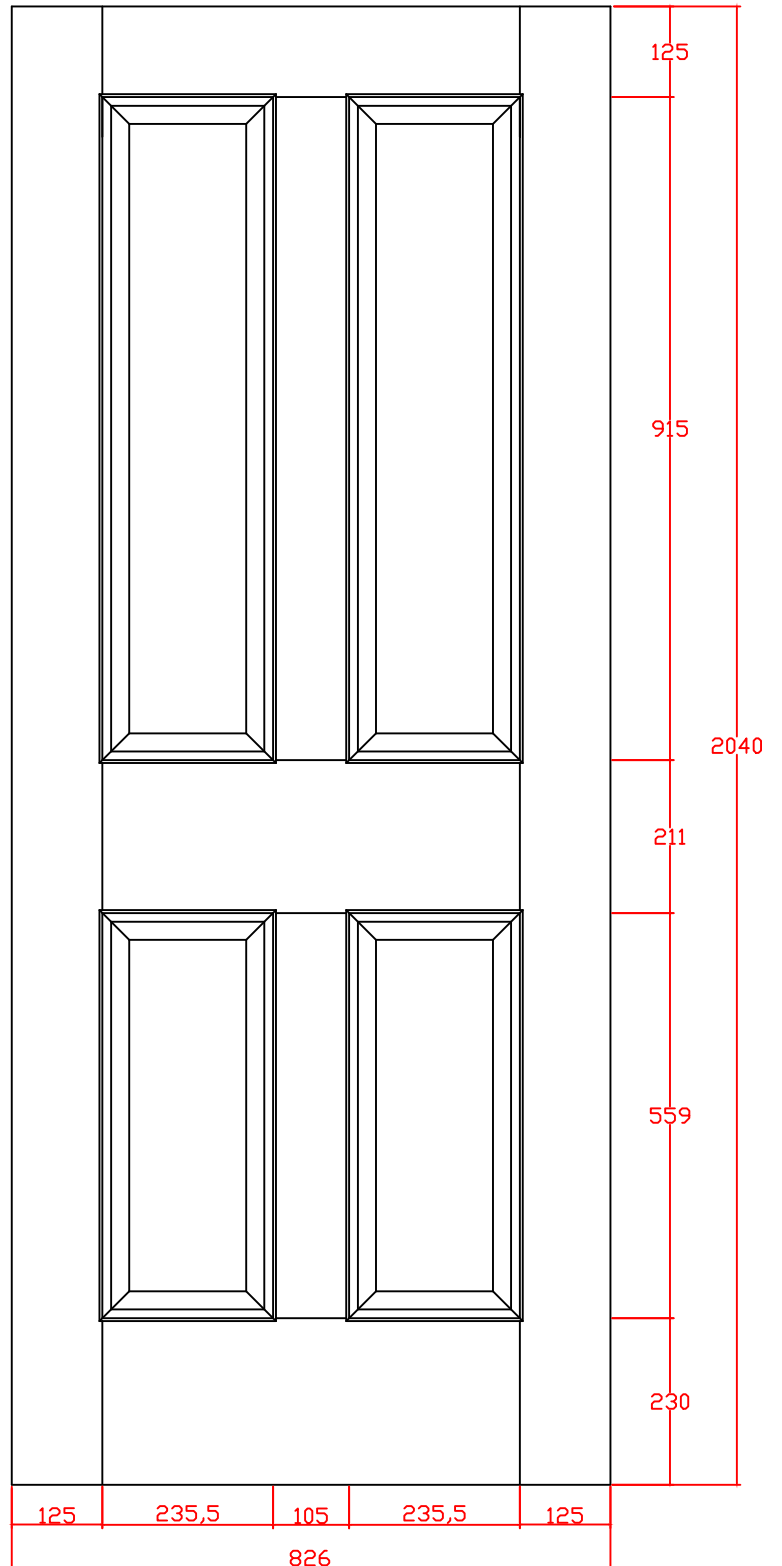
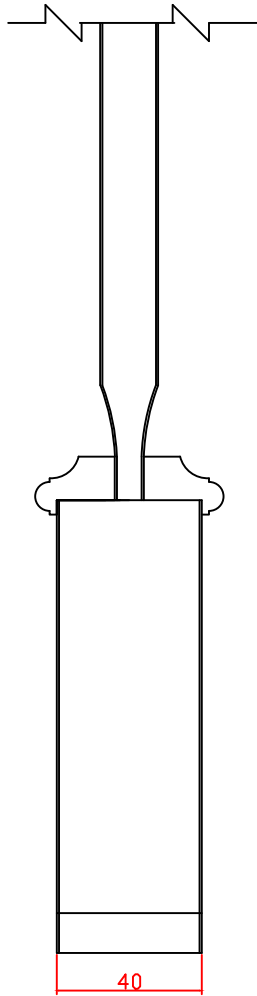
XL Joinery Ltd.
Holden Ing Way, Birstall, West Yorkshire, WF17 9AD
01924 350501 | www.xljoinery.co.uk


TITLE	APPROVED BY	REMARKS	DRAWN BY: Sara Tweddle
INTOVIC726RM Oak Victorian 4 Panel with Raised Mouldings 2040 X 726 x 40mm			SCALE:
			DRAWING NO:
			CHECK BY:
			DATE ISSUED: 13/11/24
			Revision 2

These drawing designs are the registered intellectual property of XL Joinery Limited. Any attempt to share this information by copying and / or distribution of these drawings beyond the intended user may be considered a breach of the protected intellectual property design registration and may result in legal action."

Panel

11mm Lipping




 ISO 9001 Quality Management Systems CERTIFIED
 ISO 14001 Environmental Management Systems CERTIFIED
FMS18105 EM5578330

XL Joinery Ltd.
 Holden Ing Way, Birstall, West Yorkshire, WF17 9AD
 01924 350501 | www.xljoinery.co.uk

TITLE	APPROVED BY	REMARKS	DRAWN BY: Sara Tweddle
INTOVIC826RM Oak Victorian 4 Panel with Raised Mouldings 2040 X 826 x 40mm			SCALE:
			DRAWING NO:
			CHECK BY:
			DATE ISSUED: 13/11/24
			Revision 2

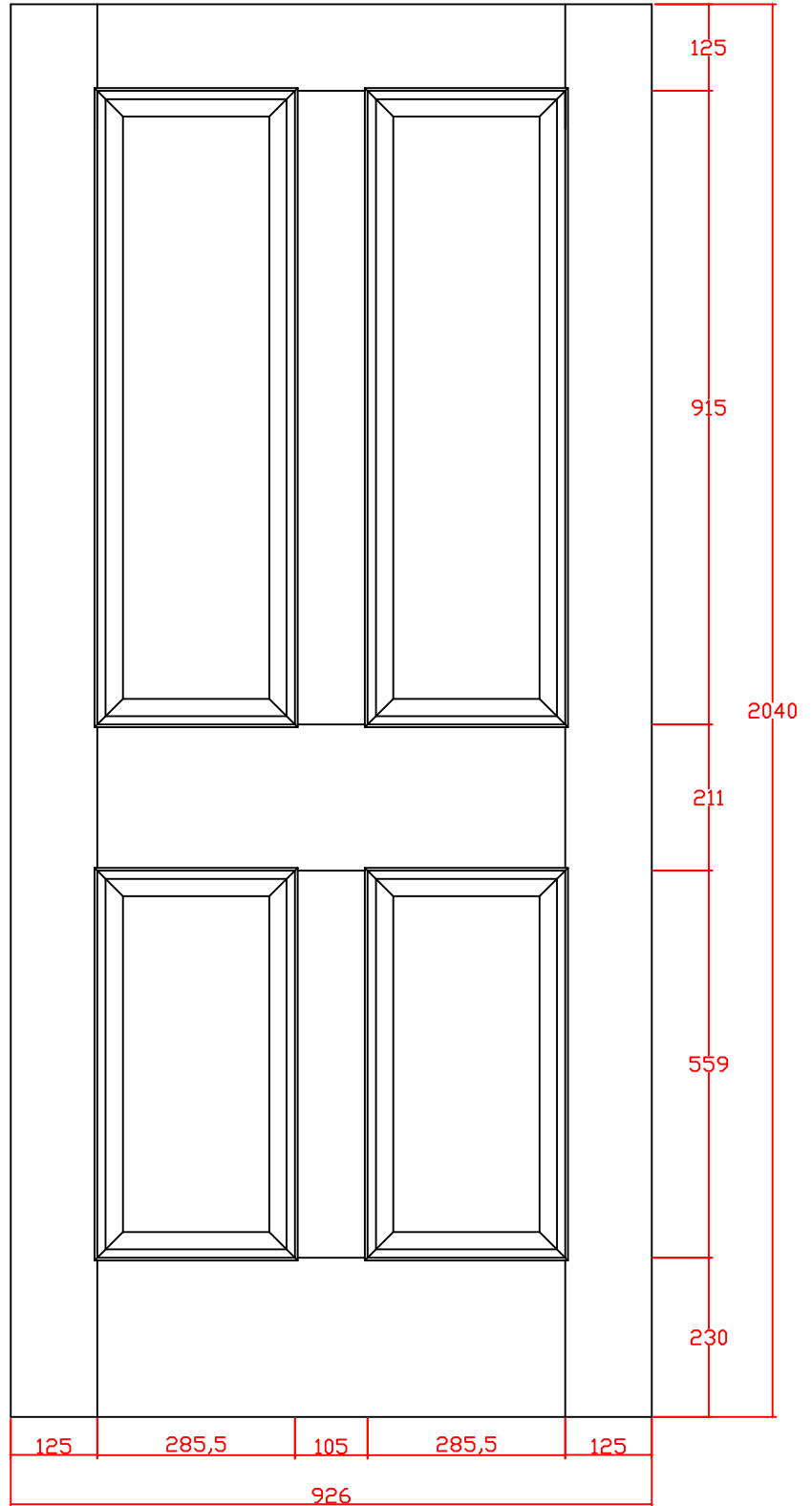
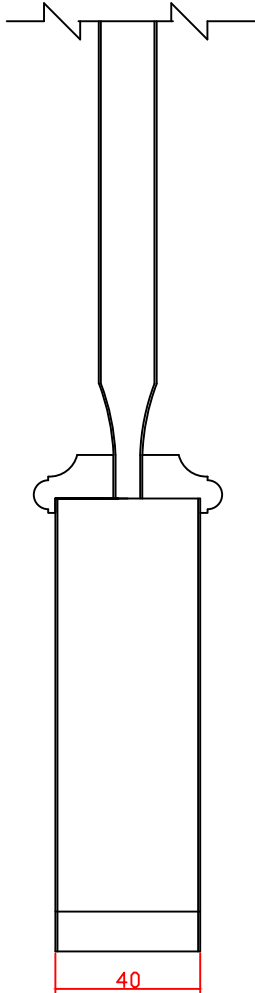
APPROVED BY

REMARKS

DRAWN BY: Sara Tweddle
SCALE:
DRAWING NO:
CHECK BY:
DATE ISSUED: 13/11/24
Revision 2

These drawing designs are the registered intellectual property of XL Joinery Limited. Any attempt to share this information by copying and / or distribution of these drawings beyond the intended user may be considered a breach of the protected intellectual property design registration and may result in legal action."

Panel



XL Joinery Ltd.
Holden Ing Way, Birstall, West Yorkshire, WF17 9AD
01924 350501 | www.xljoinery.co.uk

TITLE	APPROVED BY	REMARKS	DRAWN BY: Sara Tweddle
INTOVIC926RM Oak Victorian 4 Panel with Raised Mouldings 2040 X 926 x 40mm			SCALE:
			DRAWING NO:
			CHECK BY:
			DATE ISSUED: 13/11/24
			Revision 2