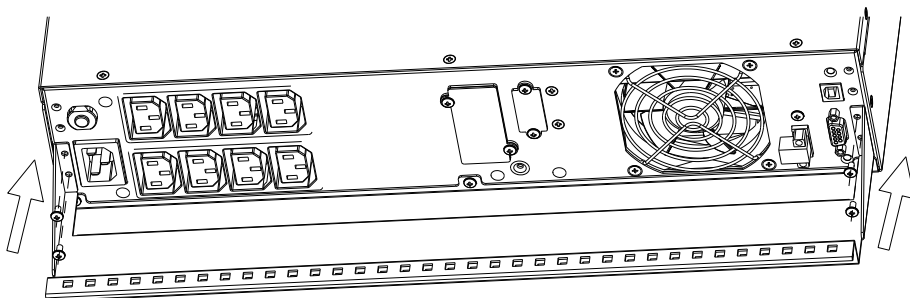


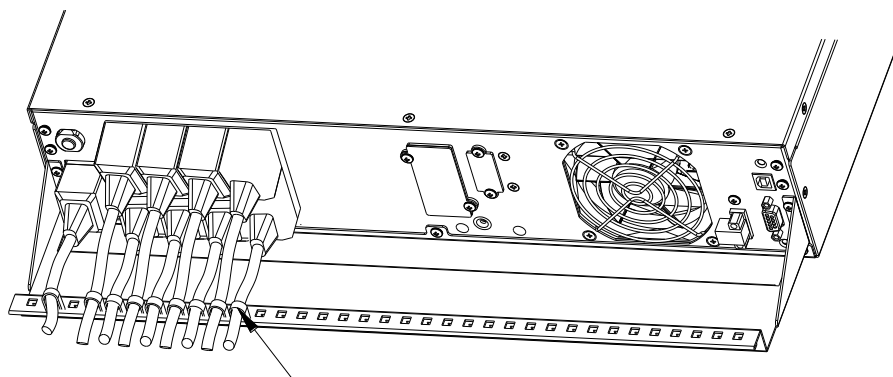
# Quick Start Guide

## Cable management tray installation procedure

- a) Cable management tray's mounting hole should be in the face of the tapping hole of the UPS, connect the left side of the Cable management tray to the UPS with 2PCS M3X6 (do not tighten the screw). Adjust the position of the Cable management tray; connect the right side of the Cable management tray to the UPS with 2PCS M3X6. Tighten all screws on the left and right sides.



- b) Connect the input/output cables to the rear panel, fix them to the Cable management tray with strap ties.



## UNPACKING

The box should contain the following: (1) Cable management tray 1 ; (2)Quick Start Guide x1; (3)M3X6 screws x 4 ; (4)strap tie x 9