

# Optik 6636 F

**Model number:**

105742

**Dimensions:** 66" x 36" x 24"

**Installation:** Freestanding

**Material:** Acrylic



## Standard Features:

- Sleek 2-piece freestanding combines straight and curvaceous lines
- Inclined backrest, curvaceous inset armrests, deep bathing well
- Two deck widths for different styles of faucet
- Center drain and 4 adjustable leveling legs
- Above-the-Floor Rough (AFR) and F<sup>2</sup> Drain compatible
- Apron available in standard colors and 5

## Product characteristics:

- Elegant design
- Integrated Armrest
- Deck Space for Faucet

## Systems:

 Aerofeel

## Warranty:

25 Years

## Standard colors:



White (001)



Bone (004)



Biscuit (007)

## Certifications

MAAX products adhere to one or more of the following certifications:



## Options (Visit our website for a complete list of our options)

No	Description
<input type="checkbox"/> OPT 10054	Two chromatherapy lights
<input type="checkbox"/> OPT 10119	Metal trim kit for Aerofeel

# Optik 6636 F

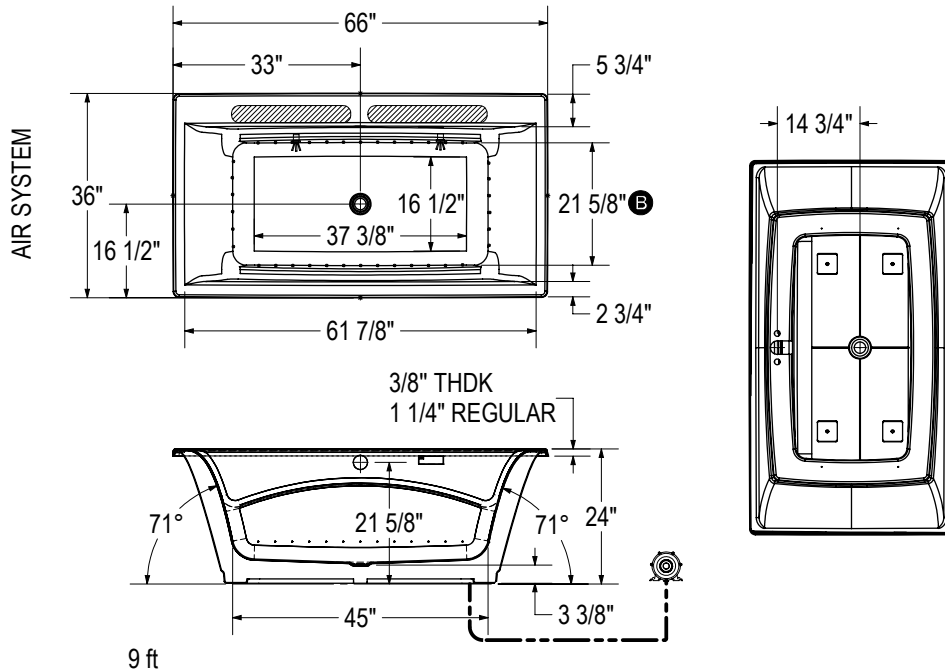
**Model number:**

**105742**

**Dimensions:** 66" x 36" x 24"

**Installation:** Freestanding

**Material:** Acrylic



ⓑ : Specify remote blower location when ordering

( ● ) : Indicates airjets positioning

( ☼ ) : Indicates chromatherapy light positioning

( ▨ ) : Recommended faucet area 2 sections of 20" (L) x 3 1/4" (W).

**Blower must be installed at a distance.**

**All dimensions are approximate. Structure measurements must be verified against the unit to ensure proper fit.**

**Dimensions:**

66 x 36 x 24 in.  
(1676 x 914 x 610 mm)

**Water capacity:**

70 gallons - 264 liters

**Weight:**

140 lbs - 63.49 kg

**Bathing well:**

45 X 21 5/8 in.  
(1143 X 549 mm)

**Deep sump height:**

20 in. - 508 mm

**Deck width:**

5 3/4 in. - 146 mm

**Drain location:**

Center

Project: \_\_\_\_\_

Contractor: \_\_\_\_\_

Representative: \_\_\_\_\_

Date: \_\_\_\_\_

Tel: \_\_\_\_\_

Notes: \_\_\_\_\_

\_\_\_\_\_

\_\_\_\_\_