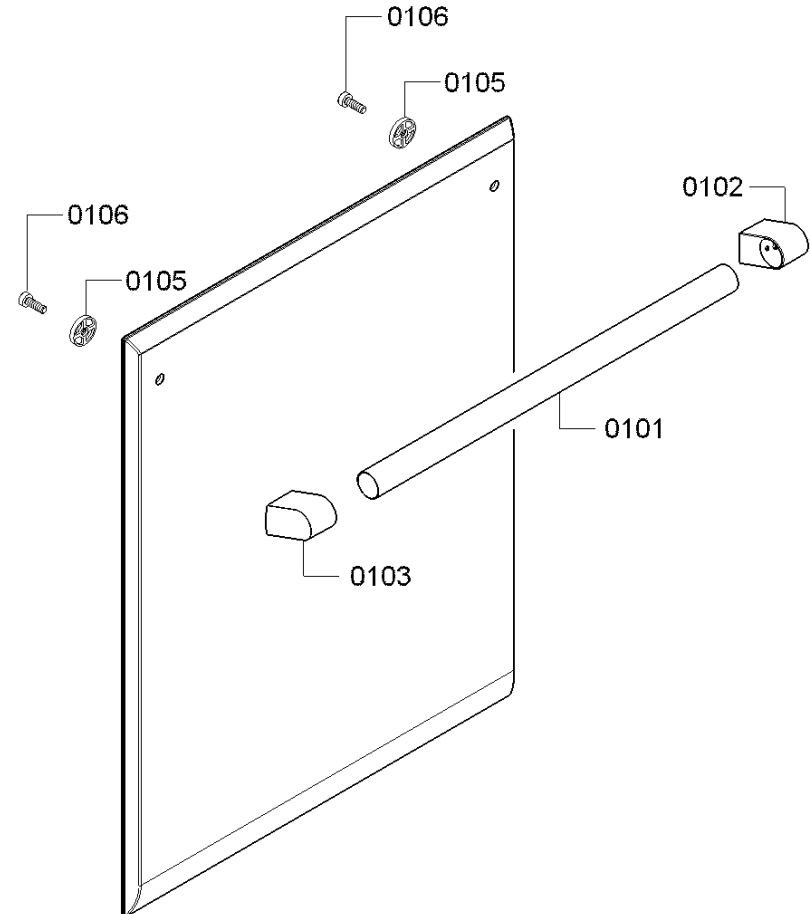
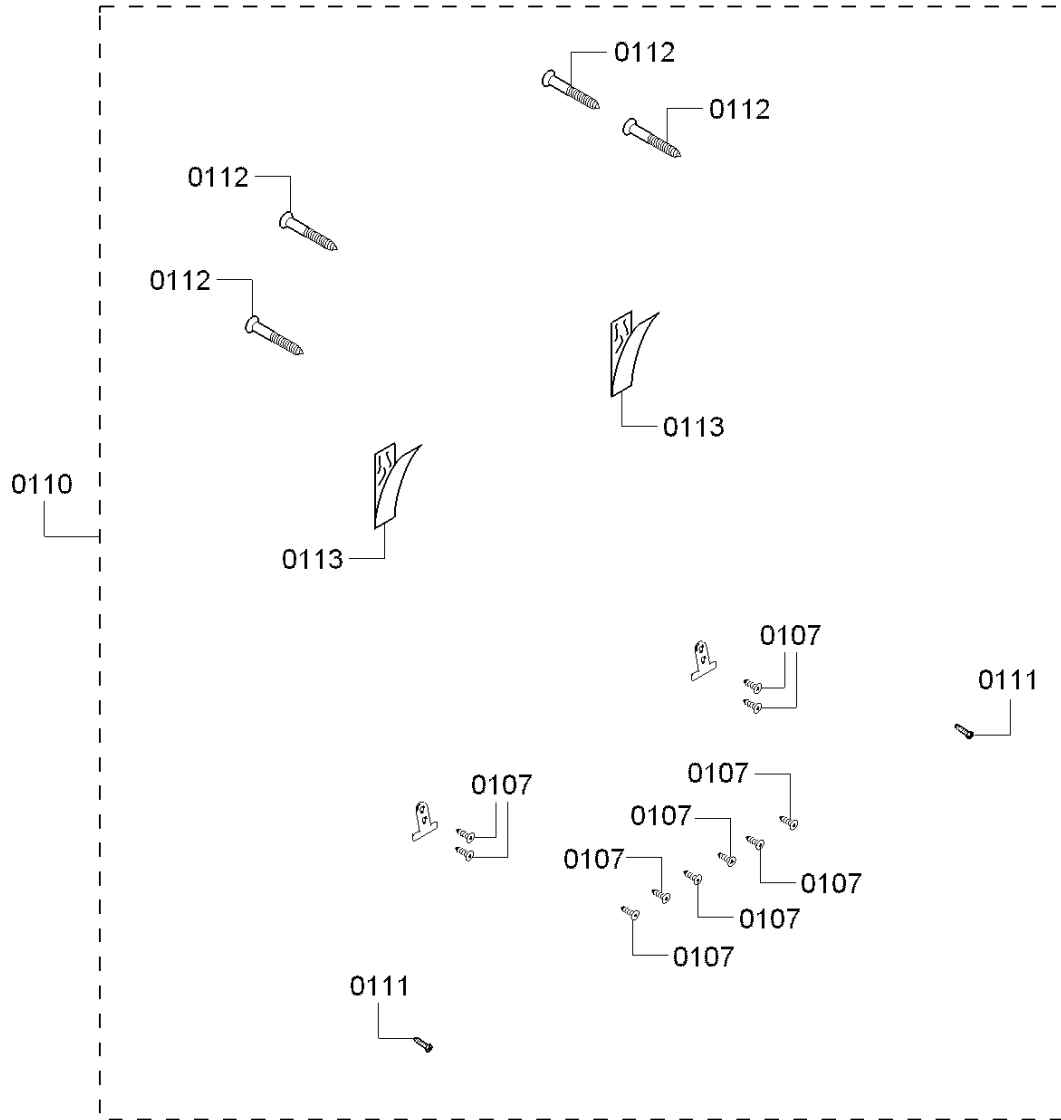




0199



Mar 2, 2025

Bill-of-material

1

Item Number	Material Number	Material Shorttext	Infotext	Substitute Material Number
0101	00711154	Handle	Pro handle, ss, without endcaps	
0102	00656755	Handle-cap shaped	Endcap, right, Pro handle (w/ insert and set screw)	
0103	00656756	Handle-cap shaped	Endcap, left, Pro handle (w/ insert and set screw)	
0105	00427941	Washer	Washer, M5.3, door handle	
0106	00427940	Screw	Screw, M5x20, T20, door handle	
0107	00622451	Screw	Door bracket screw, M4 x 13, Torx	
0110	00604162	Installation set	Wood door installation parts bag	
0111	00169525	Screw-adjust	M6x26	
0112	00612562	Screw	Wood Screw , 4mm - 41mm, Oval Head with Interleaving, Torx	
0113	00603011	Adhesive tape	01: Velcro (hook & loop) fastener , 02: For attaching bottom of wood doors	
0199	00552829	Part not included in this appliance	552829 Part not included in this appliance	