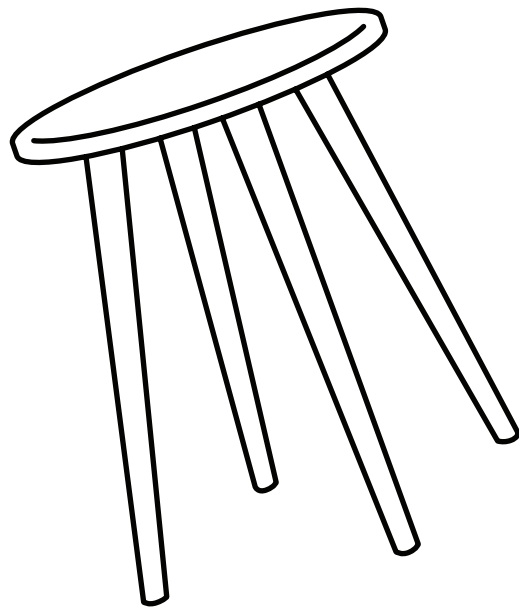
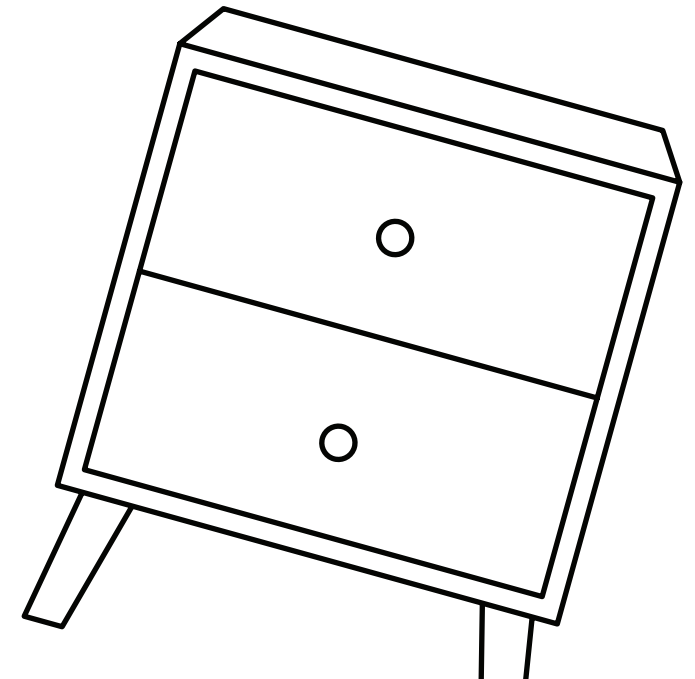


Hello,
I've arrived!

Now that I'm here you are only one
flat-pack away from transforming
your home.



Mocka.

Thank you for supporting us.

We believe design belongs to everyone. From materials and processes to safety testing, production and delivery, we are passionate and committed to bringing you the best possible product so you can create beautifully functional spaces to feel comfortably you.

Here are a few assembly tips before you get started:



Make Time

The first step to all seamless assembly is taking a moment to carefully read through the instructions—you are already on your way to creating a beautifully functional space!



Set The Mood

Put on your favourite playlist, order that pizza and pour yourself a drink to get in the mood!



Tool Check

Layout the instructions, screws and panels to check you have everything you need. A blanket or soft floor rug will help protect your new favourite item from scratches and a drill will speed up the assembly too!



Room Reveal

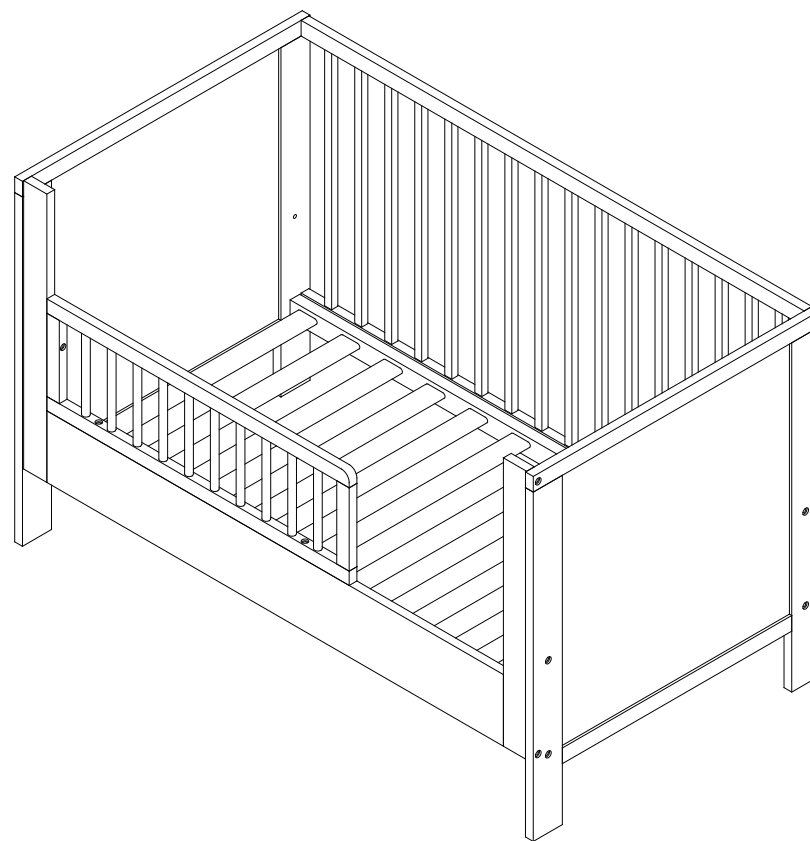
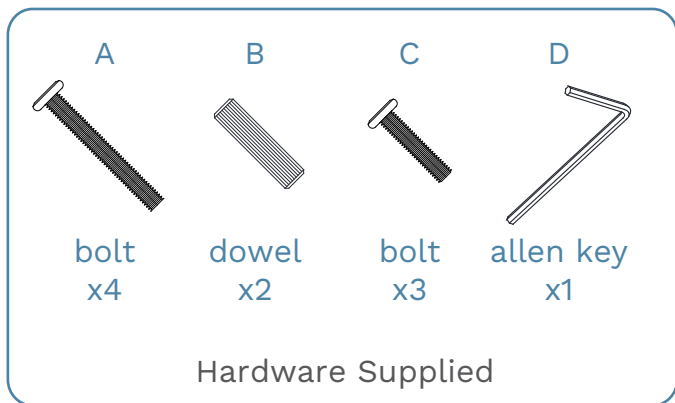
You did it! Take a step back and enjoy the moment. Don't forget to recycle any packaging and share a pic of your room reveal - we love seeing how you transform your home! Tag us @mockaaustralia/@mockaanz

Happy flat-packing!

The Mocka Team

Aspiring Cot Toddler Bed Half Frame

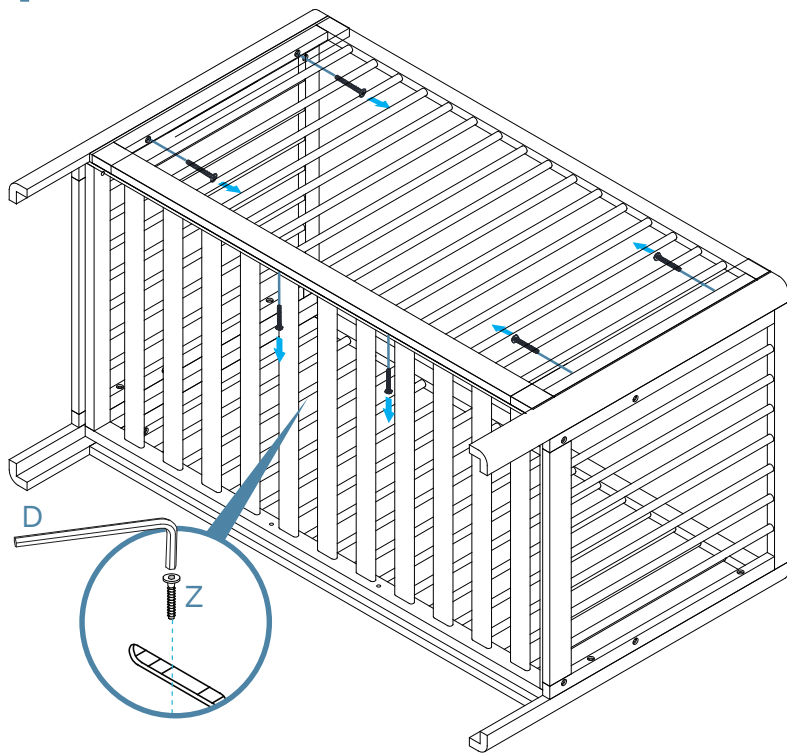
Thank you for purchasing Aspiring Cot Toddler Bed Half Frame. Please follow the manufacturer's assembly instructions in detail.



(COT NOT INCLUDED)

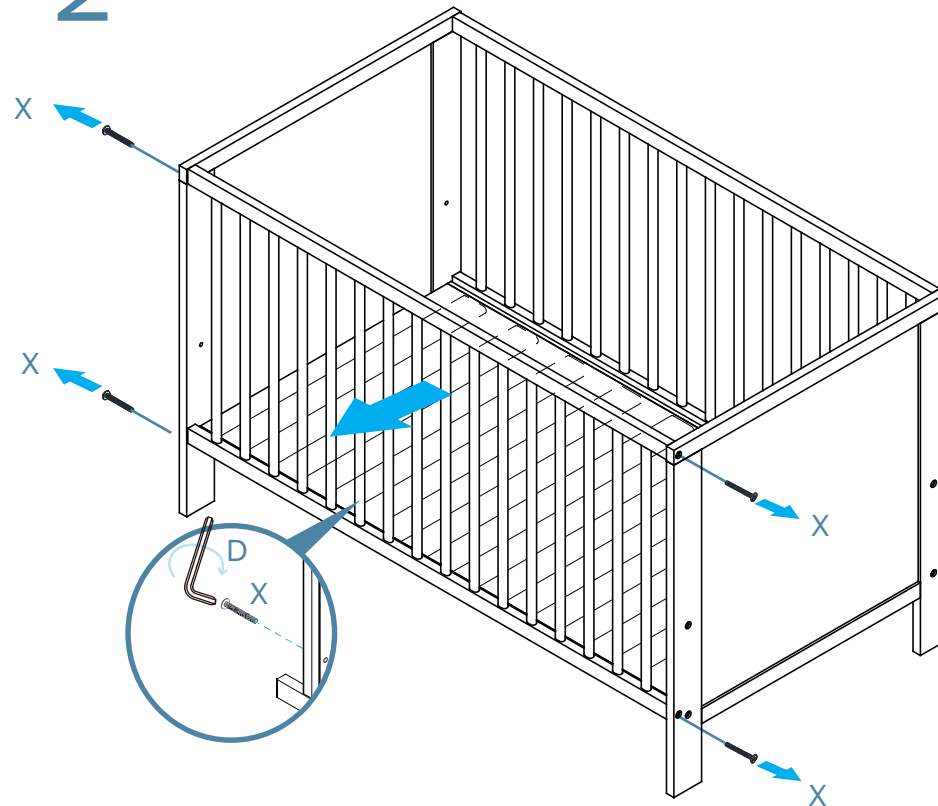
Aspiring Cot Toddler Bed Half Frame

1



Remove the X screws already installed in the cot with an Allen Key (D). Please hold onto the X screws as you will need these to install the conversion.

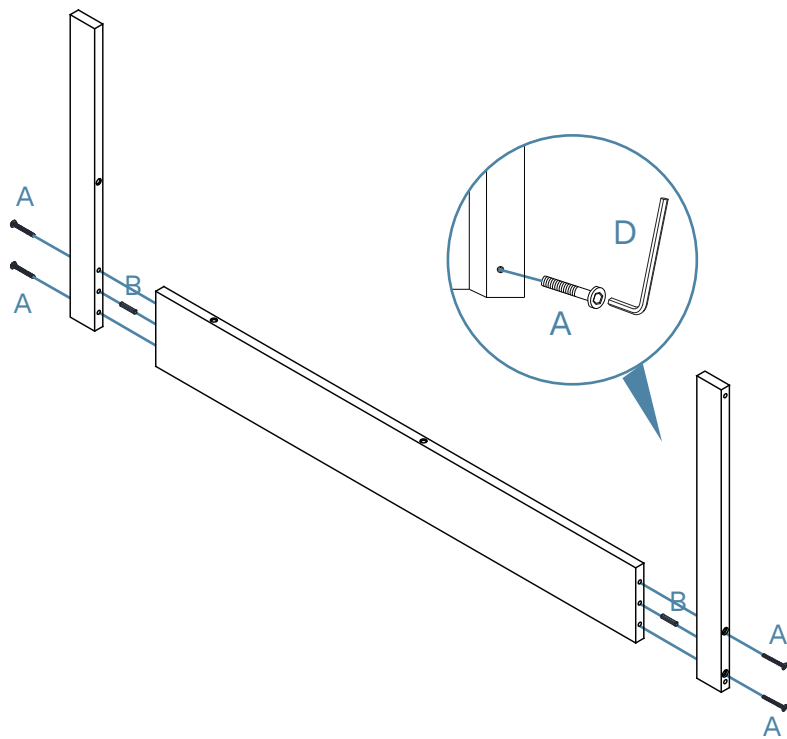
2



Combine panels together as shown and secure with 4 x bolts (A) and 2 x dowels (B). Tighten with an Allen Key (D).

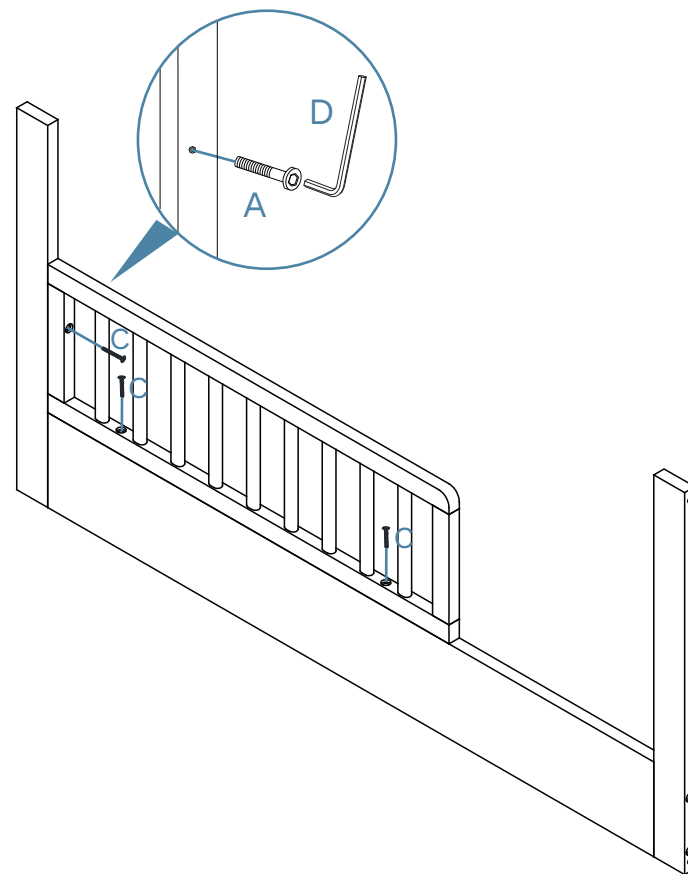
Aspiring Cot Toddler Bed Half Frame

3



Combine panels together as shown and secure with 3 x bolts (C). Tighten with an Allen Key (D).

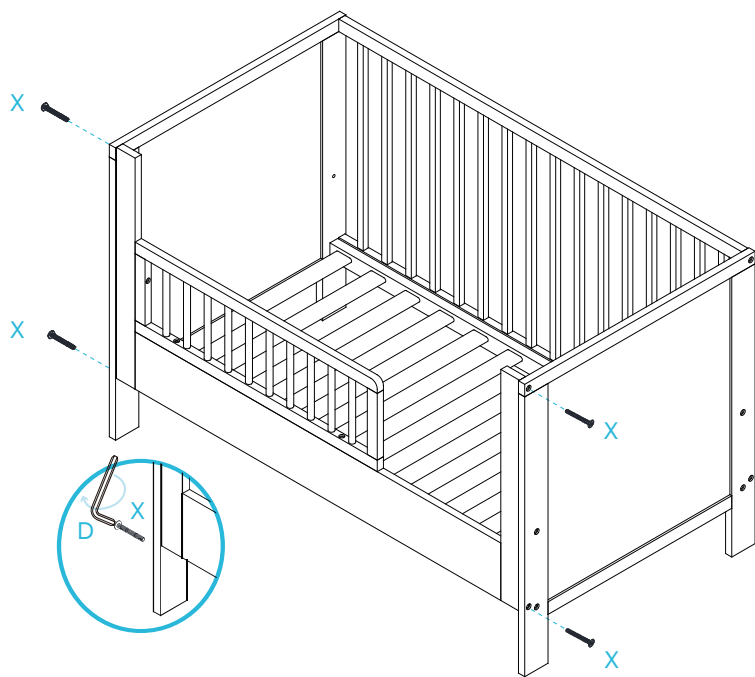
4



Attach the conversion to the cot and secure with the 4x (X) screws that were earlier removed from the cot ends. Tighten with an Allen Key (C). You're done, enjoy!

Aspiring Cot Toddler Bed Half Frame

5



Attach the conversion to the cot and secure with the 4x (X) screws that were earlier removed from the cot ends. Tighten with an Allen Key (C). You're done, enjoy!



Love it for longer.

Remove all liquid and food spills immediately ONLY with a clean, damp, undyed white cloth.
Do NOT use abrasives or common household detergents.



Caring for our world.

In the interest of our environment, please dispose of all packaging thoughtfully.



Good news, you're all done!

Love it and share it on Instagram by tagging

 [@mockaaustralia](#) | [@mockanz](#)