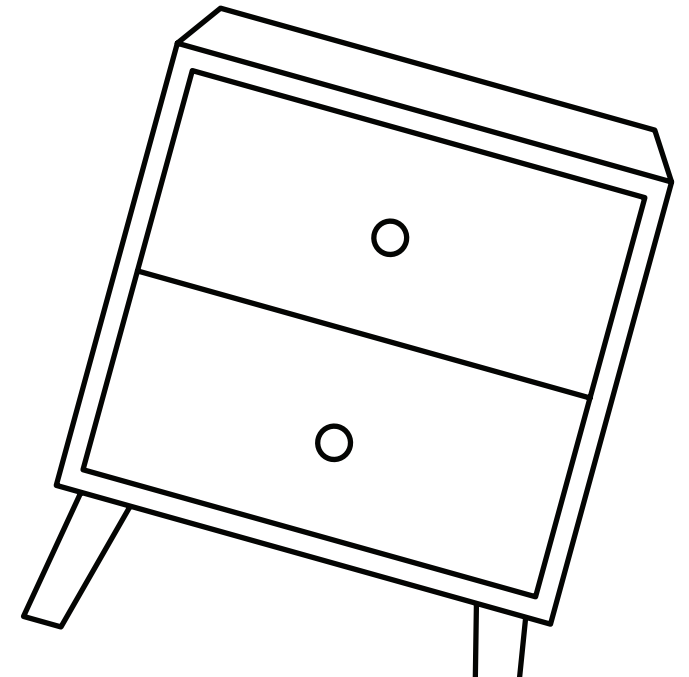
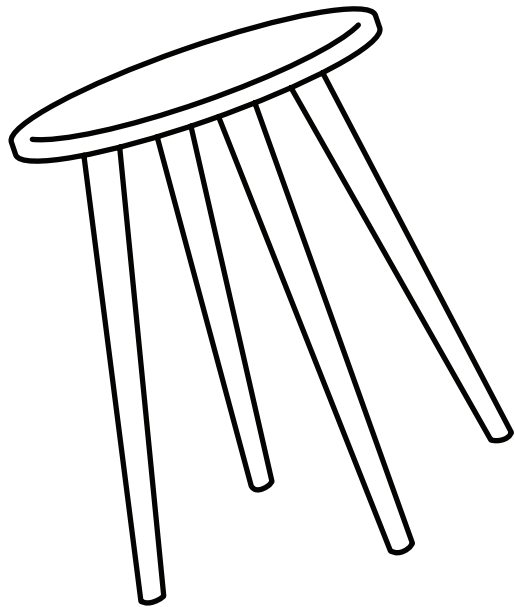


# Hello, I've arrived!

Now that I'm here you are only one  
flat-pack away from transforming  
your home.



## Mocka.

# Thank you for supporting us.

We believe design belongs to everyone. From materials and processes to safety testing, production and delivery, we are passionate and committed to bringing you the best possible product so you can create beautifully functional spaces to feel comfortably you.

Here are a few assembly tips before you get started:



## Make Time

The first step to all seamless assembly is taking a moment to carefully read through the instructions—you are already on your way to creating a beautifully functional space!



## Set The Mood

Put on your favourite playlist, order that pizza and pour yourself a drink to get in the mood!



## Tool Check

Layout the instructions, screws and panels to check you have everything you need. A blanket or soft floor rug will help protect your new favourite item from scratches and a drill will speed up the assembly too!



## Room Reveal

You did it! Take a step back and enjoy the moment. Don't forget to recycle any packaging and share a pic of your room reveal—we love seeing how you transform your home! **Tag us @mockaaustralia/@mockaanz**

Happy flat-packing!

*the Mocka Team*

**Need help?** Our Support Team are available via live chat, email or phone. Visit our website for details.

**AUSTRALIA**

+61 7 3184 8466

Our phone lines are available weekdays 9am to 5pm AEST



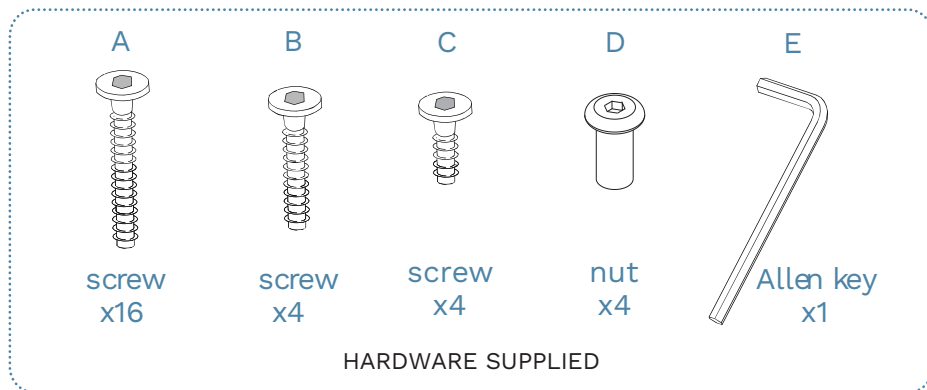
**NEW ZEALAND**

+64 3 384 1858

Our phone lines are available weekdays 9am to 5pm NZT

# Fraser Coastal Cot

Thank you for your purchase. Please follow the manufacturer's assembly instructions in detail to ensure the safety features of the cot are not compromised.



Ensure the cot is placed at a reasonable distance from curtains, blinds, heaters and power points. Keep all medications, string, elastic, small toys or small items, such as money, out of reach from any position in the cot.

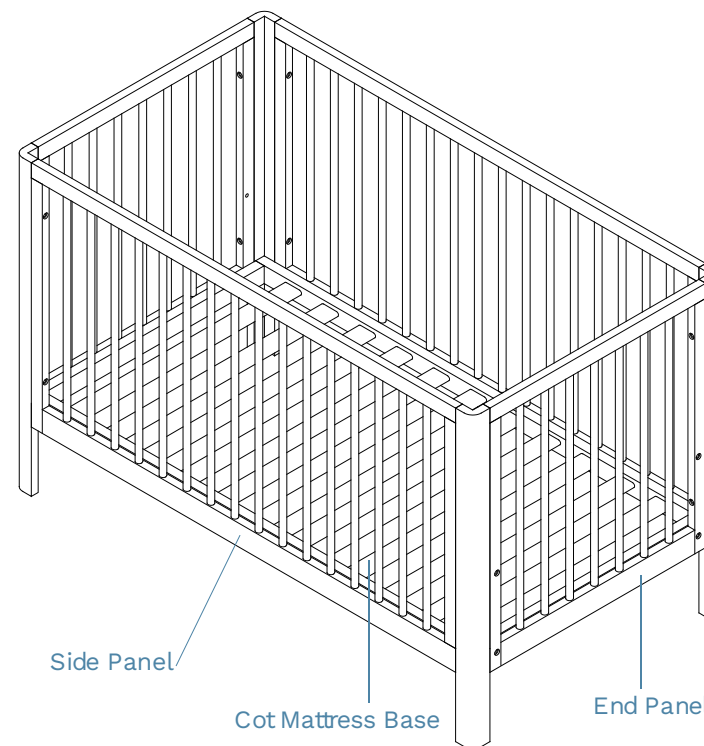
## ASSEMBLY

Care must be taken when attaching sides. Do not over-tighten screws as this can cause damage to the cot.

## CARE AND MAINTENANCE

Regularly check all screws for tightness or damage that could render the cot unsafe. To clean - use a damp cloth, avoiding the use of detergents or abrasives.

**WARNING: TO PREVENT FALLS, THE MATTRESS BASE OF THIS COT SHOULD BE ADJUSTED TO THE LOWEST POSITION BEFORE THE CHILD CAN SIT UP**



## RECOMMENDED MATTRESS SIZE

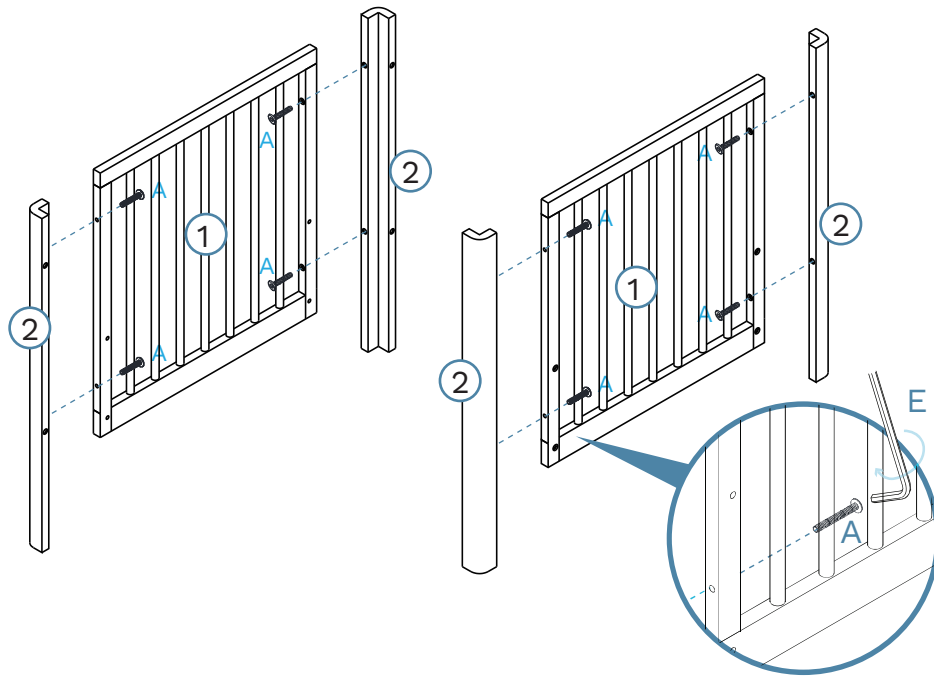
This cot has been manufactured for use with a mattress which measures 1300mm long x 690mm wide x 100mm in thickness. The width and length are specified because it is important that gaps between the mattress and the sides and ends of the cot will not exceed 40mm when the mattress is pushed to one side or end, and 20mm when the mattress is centred in the cot. This is to minimize the risk of a child's limb becoming caught in the gap. The thickness of the mattress has been specified to ensure that the depth of the cot is greater than 500mm with the mattress base in the lower position to minimize the risk of a child climbing or falling out of the cot.

Mocka Products Pty Ltd. PO Box 18, Pinkenba, QLD 4008, AU  
Mocka Limited, PO Box 29355, Riccarton, Christchurch 8440, NZ.

# Mocka.

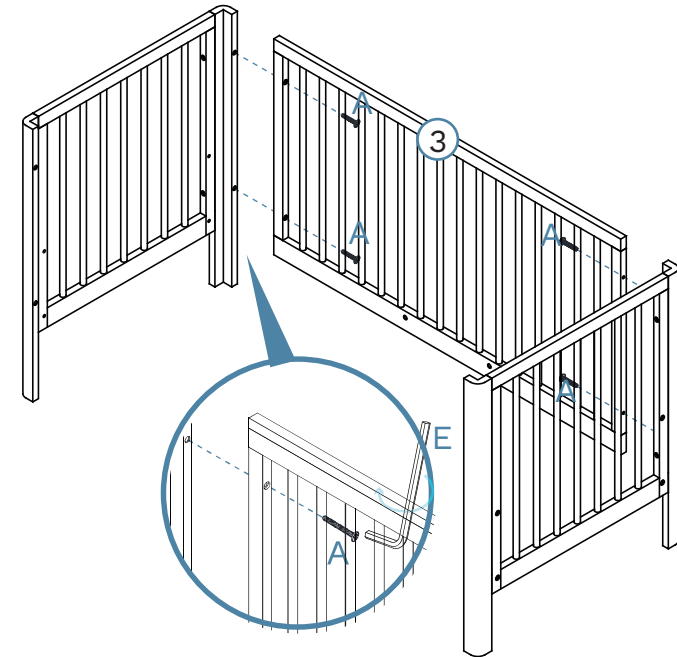
# Fraser Coastal Cot

1



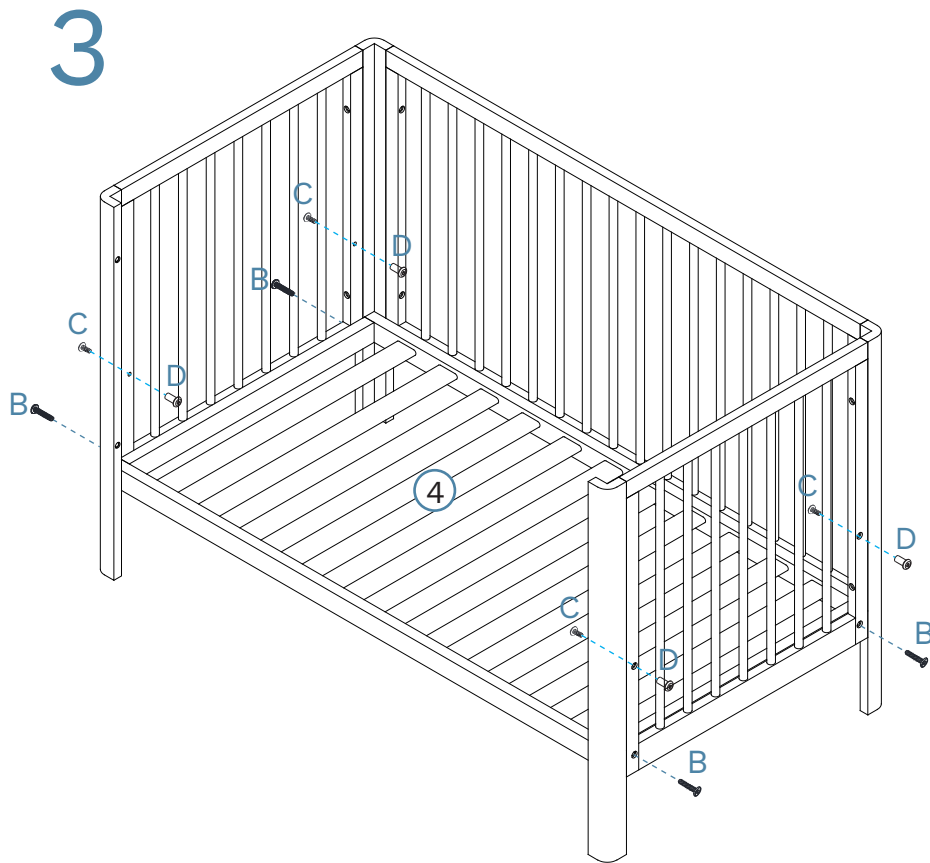
Attach panels [1] to panels [2] and secure with 8 x screws (A).  
Tighten with an Allen Key (E).

2

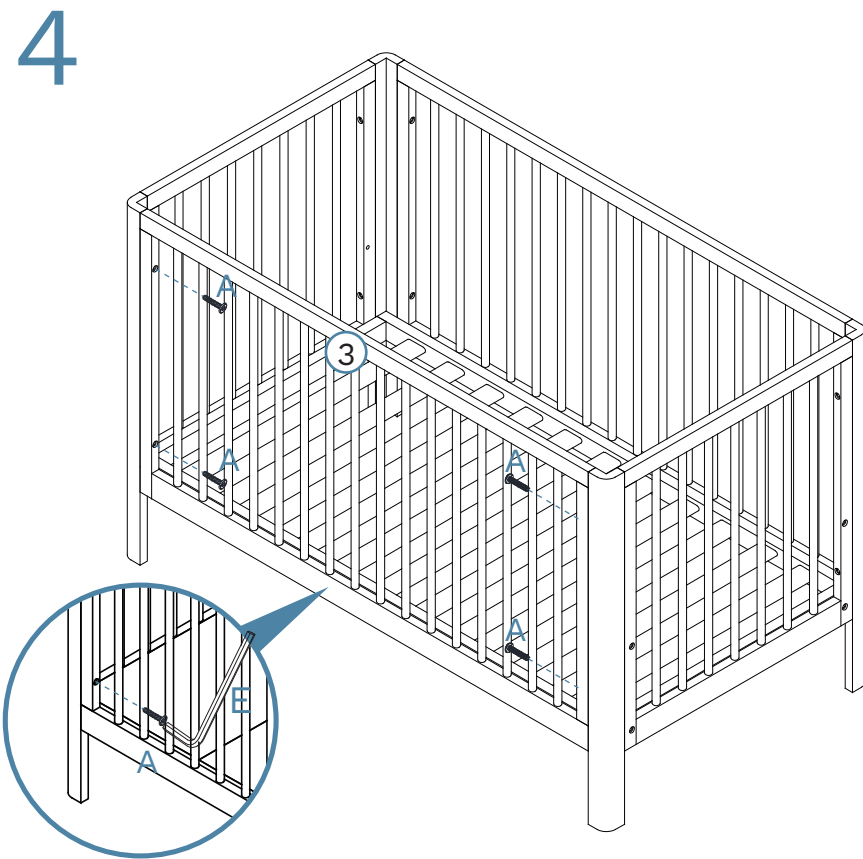


Attach assembled panels together with panel [3] and secure with  
4 x screws (A). Tighten with an Allen Key (E).

# Fraser Coastal Cot



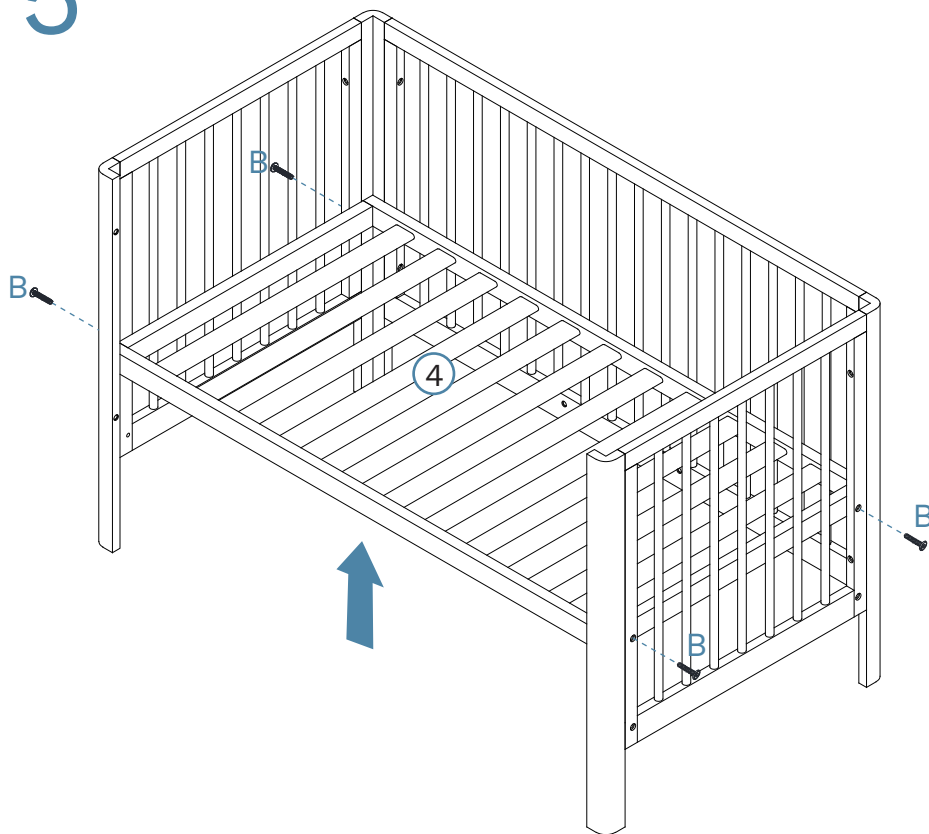
Attach panel [4] to assembled frame as shown and secure with 4 x screws (B). Attach 4x screws(C) to 4x nuts(D). Tighten with an Allen Key (E).



Attach panel [3] to assembled frame as shown and secure with 4 x screws (A). Tighten with an Allen Key (E).

# Fraser Coastal Cot

## 5



**LIFT THE COT INTO PLACE, DO NOT DRAG,  
AS THIS CAN CAUSE DAMAGE**

OPTIONAL/MATTRESS HEIGHT ADJUSTMENT (please keep these instructions handy for future reference)

To adjust mattress base settings, remove screws(C) and nuts (D). Repeat steps 2, 3 and 4 by removing the side panel and moving the base to corresponding holes. Securely attach again in the adjusted position.



## Love it for longer.

Remove all liquid and food spills immediately ONLY with a clean, damp, undyed white cloth.  
Do NOT use abrasives or common household detergents.



## Caring for our world.

In the interest of our environment, please dispose of all packaging thoughtfully.



## Good news, you're all done!

Love it and share it on Instagram by tagging

 @mockaaustralia | @mockanz