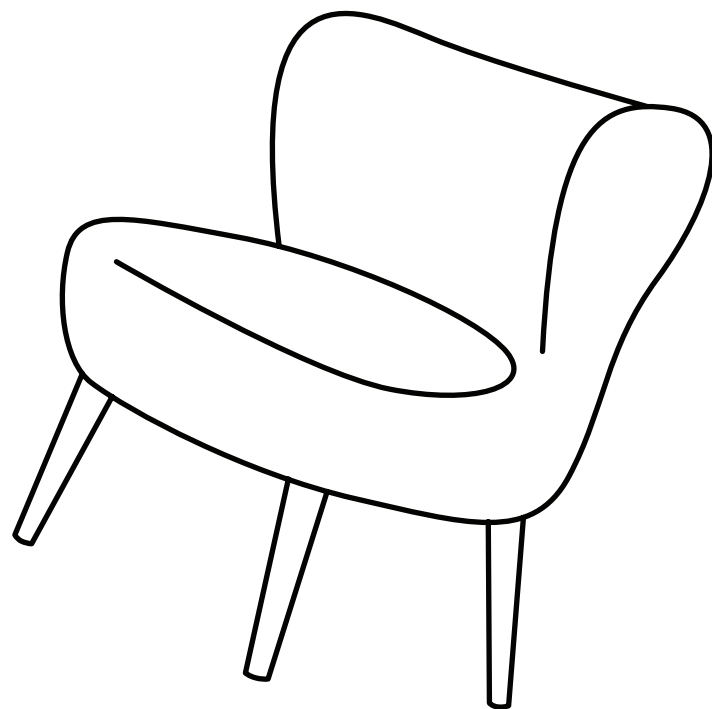
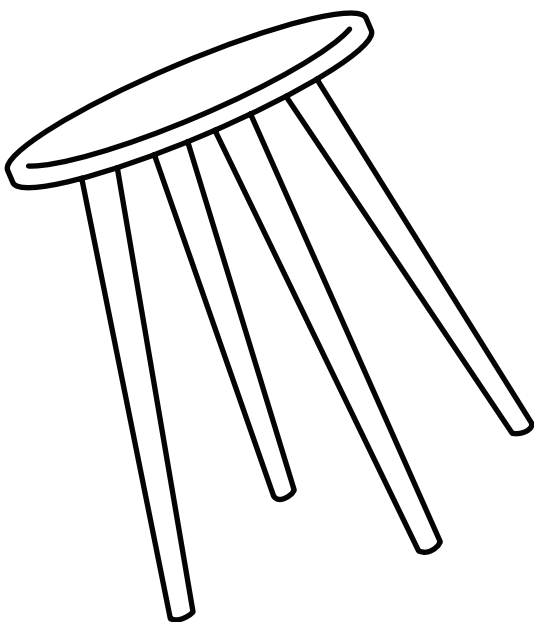


# Hello, I've arrived!

Now that I'm here you are only one flat-pack away from transforming your home.



**Mocka.**

# Thank you for supporting us.

We believe design belongs to everyone. From materials and processes to safety testing, production and delivery, we are passionate and committed to bringing you the best possible product so you can create beautifully functional spaces to feel comfortably you.

## Here are a few assembly tips before you get started:



### Make Time

The first step to all seamless assembly is taking a moment to carefully read through the instructions—you are already on your way to creating a beautifully functional space!



### Set The Mood

Put on your favourite playlist, order that pizza and pour yourself a drink to get in the mood!



### Tool Check

Layout the instructions, screws and panels to check you have everything you need. A blanket or soft floor rug will help protect your new favourite item from scratches and a drill will speed up the assembly too!



### Room Reveal

You did it! Take a step back and enjoy the moment. Don't forget to recycle any packaging and share a pic of your room reveal—we love seeing how you transform your home! **Tag us @mockaaustralia/@mockaanz**

Happy flat-packing!

*The Mokka Team*

# Sonata

## Bunk Bed

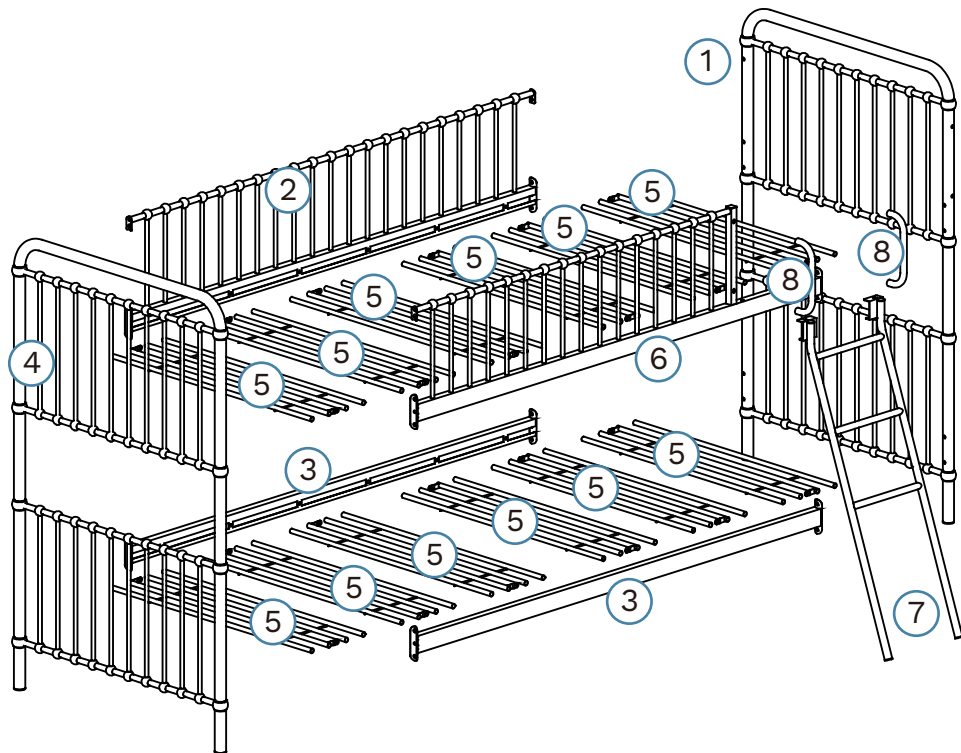
Thank you for your purchase. Please follow the instructions for correct assembly. While we took great effort to ensure these assembly instructions were correct at the time of printing, sometimes updates are required post production. For the most up to date versions please refer to the product page on our website. [mocka.com.au/mocka.co.nz](http://mocka.com.au/mocka.co.nz)



# Sonata

Bunk Bed

## Panel Layout

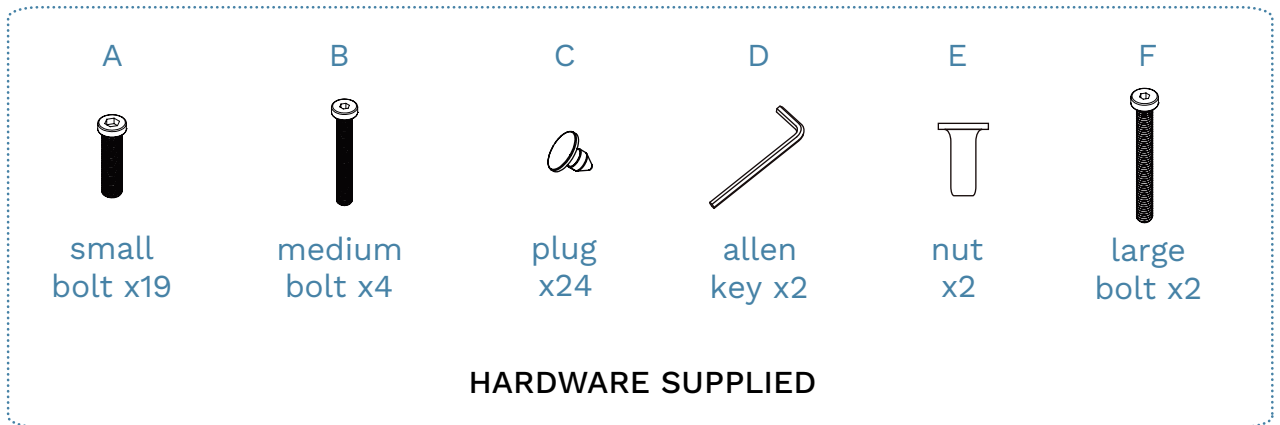


## Partlist

①	Right End Panel	x1
②	Rear Guard	x1
③	Side Rail	x2
④	Left End Panel	x1
⑤	Slat	x12
⑥	Front Guard	x1
⑦	Ladder	x1
⑧	Handrail	x2

# Sonata

## Bunk Bed



**WARNING:** Falls from elevated beds can be fatal and deaths have occurred where children have fallen from elevated beds. This is relevant for all ages. The risk is greater for younger children.

The risk of injury or death from a fall from an elevated bed compared to a non-elevated bed is:

- 10x greater for 7-8 year olds
- 7x greater for 9-10 year olds
- 3x greater for 11-12 year olds

### IMPORTANT STATEMENT

- 1.Children should be discouraged from playing on the bunk bed.
- 2.The bunk bed should be checked periodically to ensure that the guardrail, access device and other components are maintained in the correct position and state of repair and that all connectors are tight.

**WARNING:THE UPPER BUNK MUST BE MORE THAN 2 METRES FROM ANY CEILING FAN**

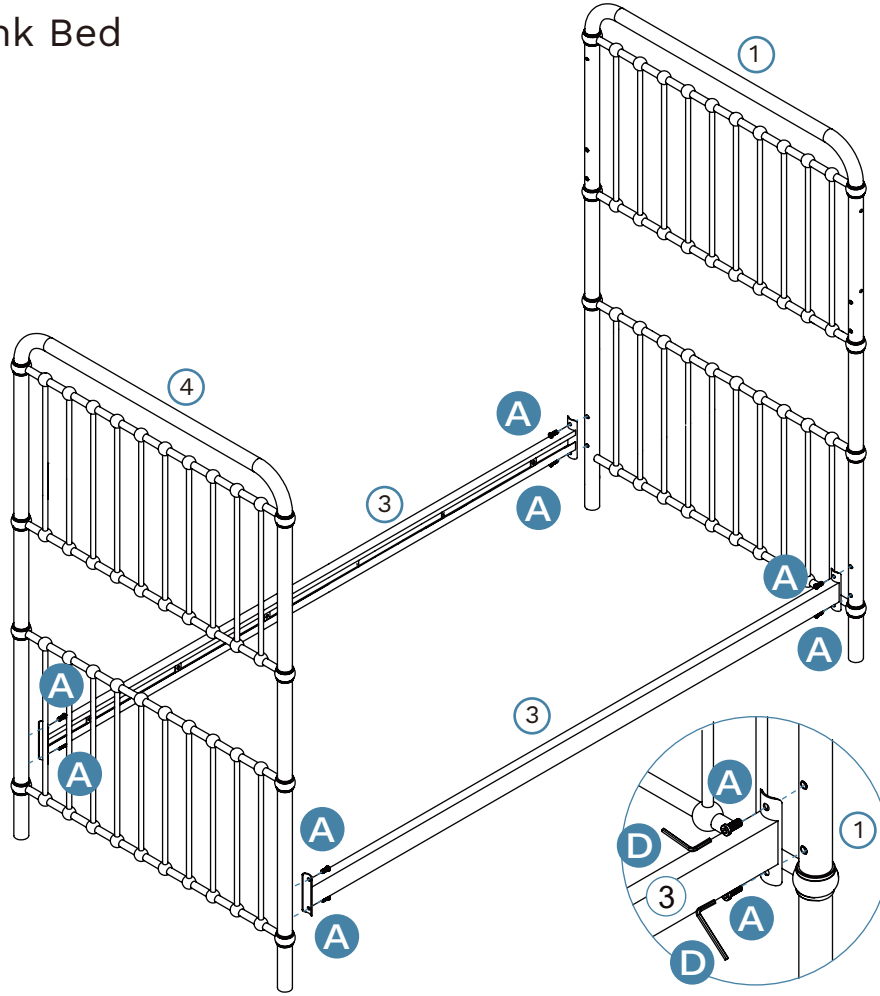
**LIFT THE BED INTO PLACE, DO NOT DRAG, AS THIS CAN CAUSE DAMAGE**

**WARNING: TOP BUNKS AND ELEVATED BEDS ARE DANGEROUS AND ARE NOT RECOMMENDED FOR CHILDREN UNDER THE AGE OF 9**

# Sonata

## Bunk Bed

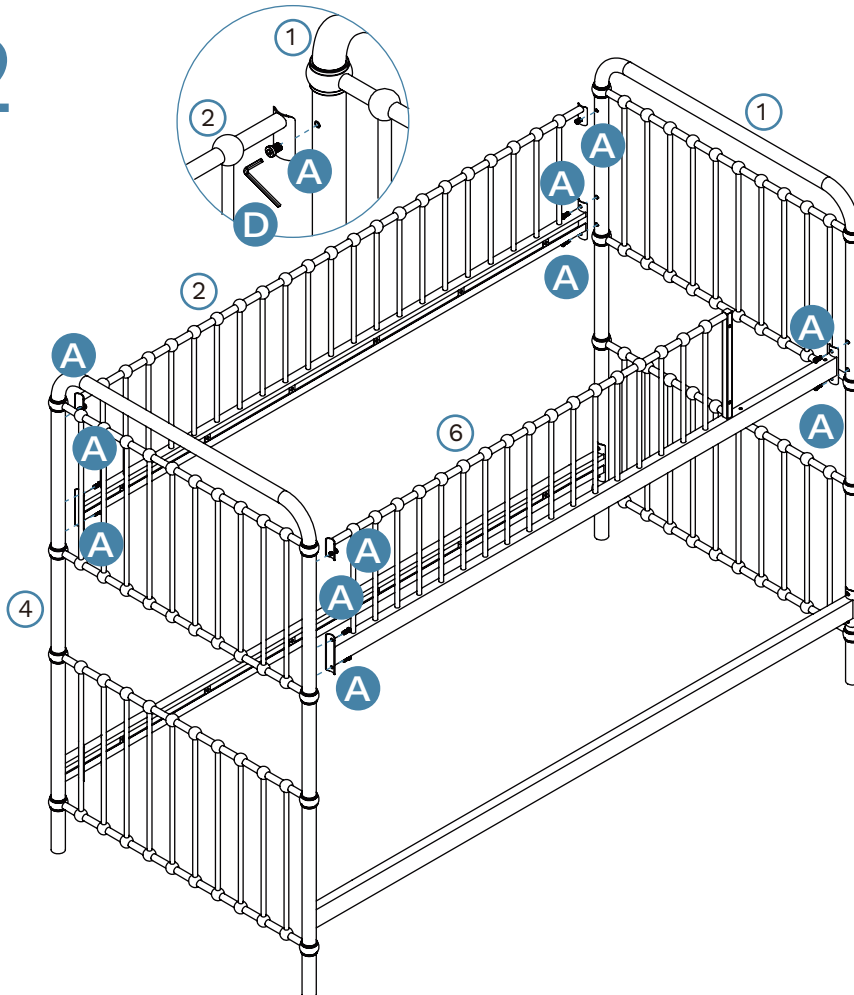
1



Hardware Needed

A		x8
---	---	----

2



Hardware Needed

A		x11
---	---	-----

## Sonata

## Bunk Bed

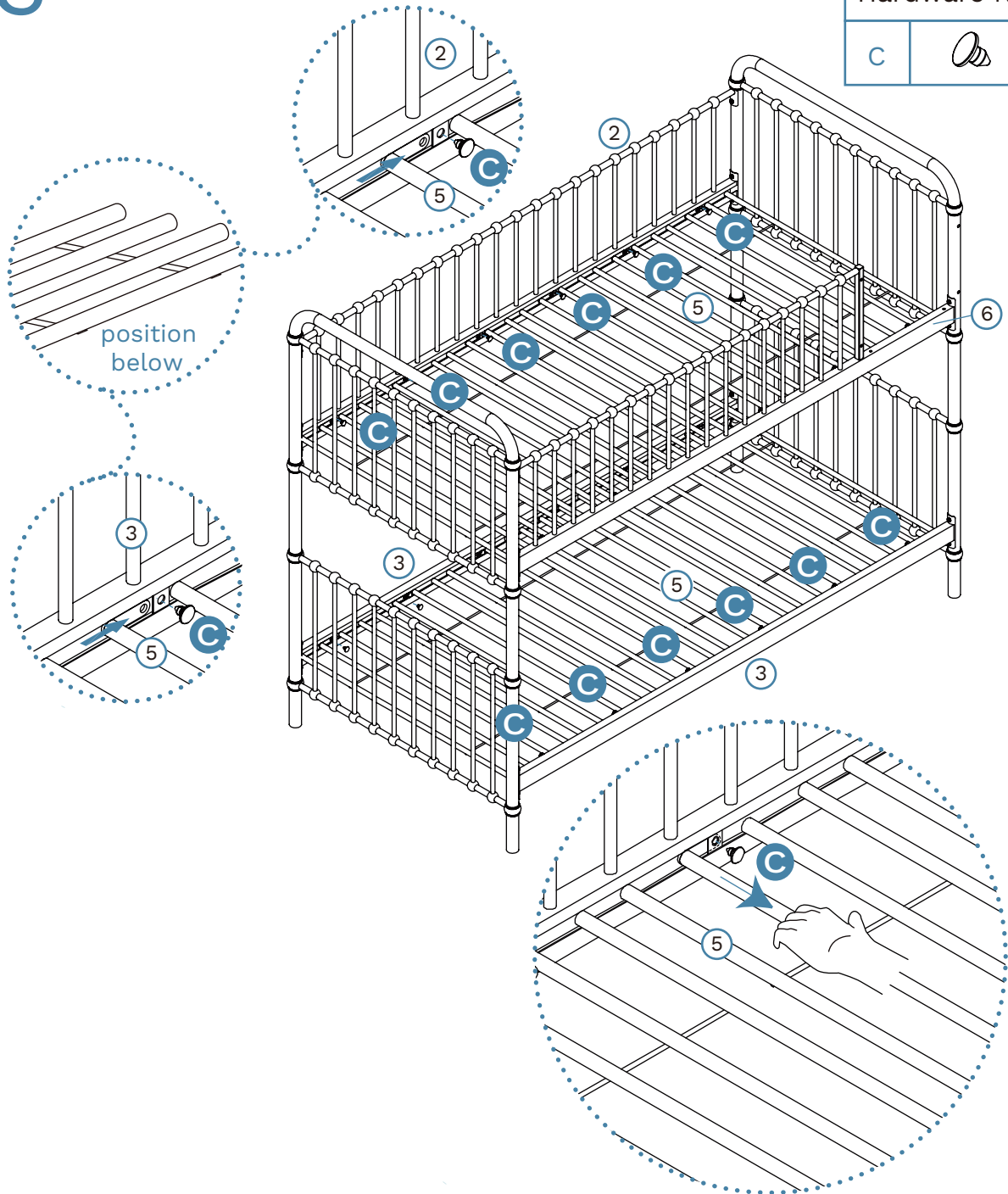
3

Hardware Needed

C



x24



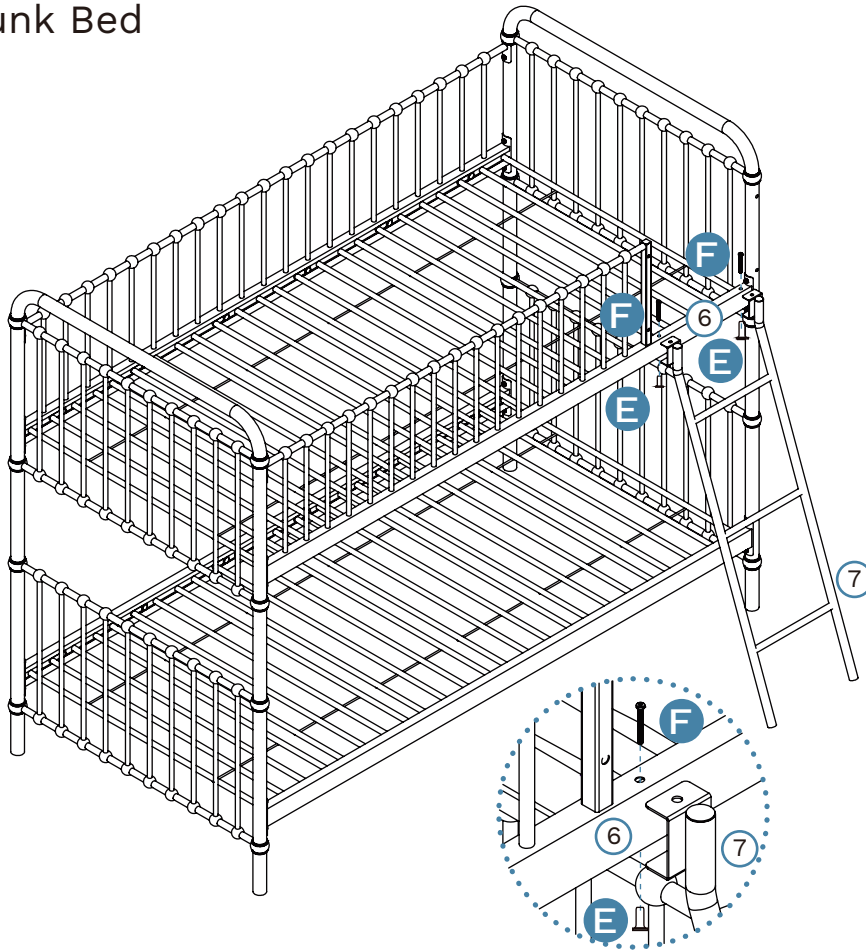
When you fix the slats, please pull the slats as shown above and make sure the two brackets are tight. Then insert the plugs into the holes on the brackets to lock the two brackets together. Please ensure the plugs are fully inserted through the two brackets making sure the brackets lock together before use.



Attach slats [5] to the guards [2] and [6]. Do this by sliding the bracket on the slat behind the bracket on both guards [2] and [6], then secure into place with 12x plugs (C) on each panel. The same method for attaching slats to the bottom side rails [3].

# Sonata

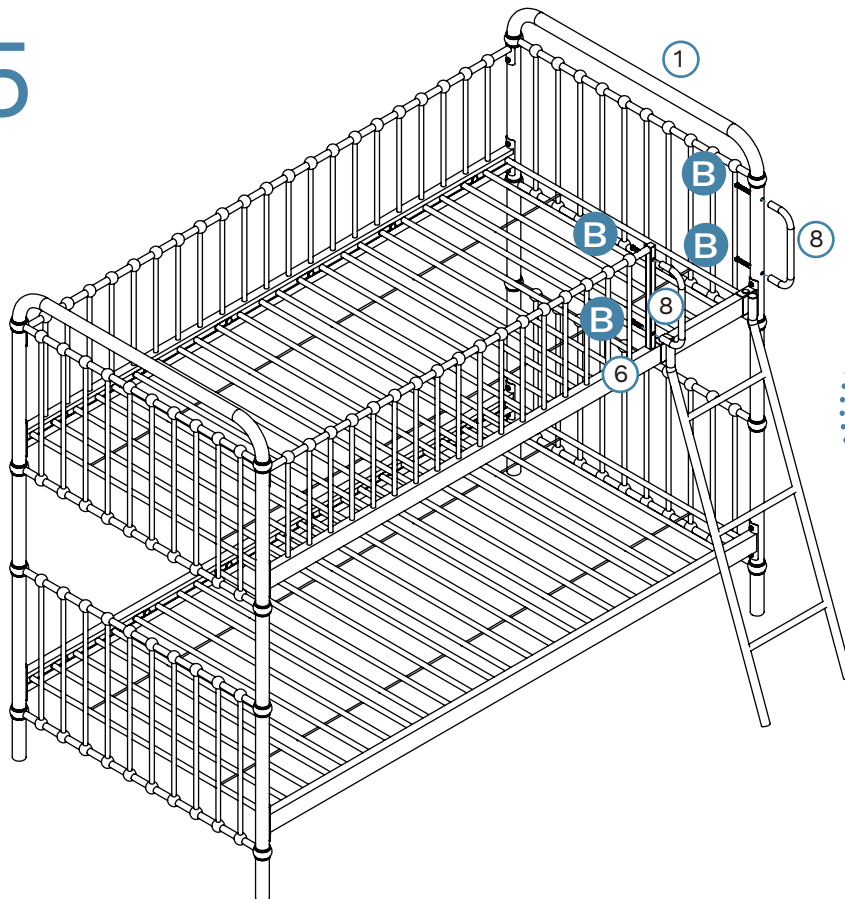
## Bunk Bed


4



Hardware Needed		
E		x2
F		x2

5



Hardware Needed		
B		x4

Once assembled lift bunk bed into place, do not drag.  
You're done, enjoy!

[mocka.co.nz](http://mocka.co.nz) | [mocka.com.au](http://mocka.com.au)

**Mocka.**