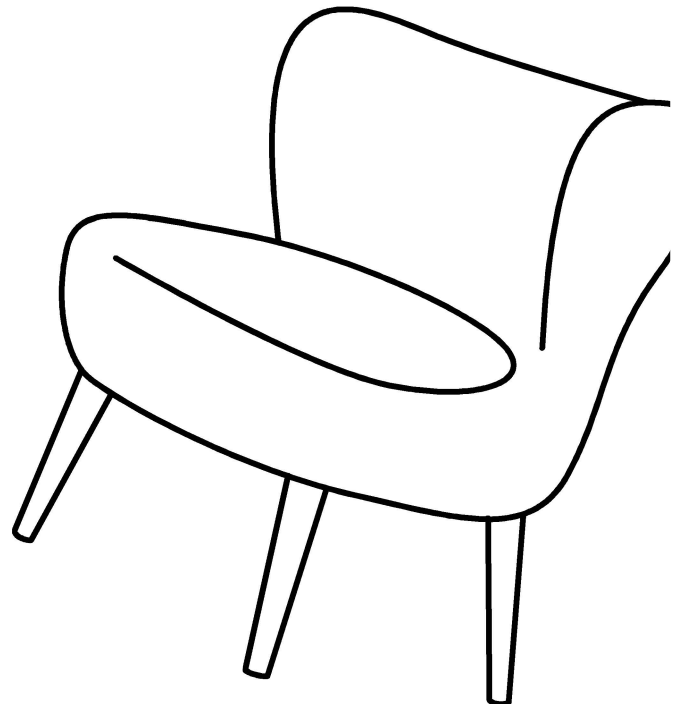
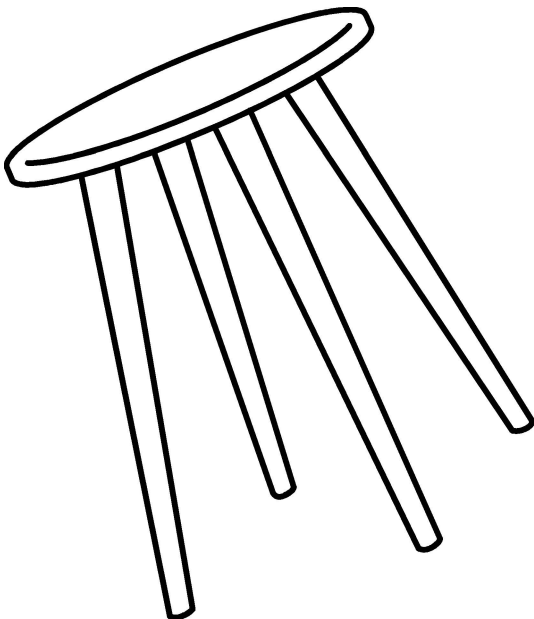


Hello, I've arrived!

Now that I'm here you are only one
flat-pack away from transforming
your home.



Mocka.

Thank you for supporting us.

We believe design belongs to everyone. From materials and processes to safety testing, production and delivery, we are passionate and committed to bringing you the best possible product so you can create beautifully functional spaces to feel comfortably you.

Here are a few assembly tips before you get started:



Make Time

The first step to all seamless assembly is taking a moment to carefully read through the instructions—you are already on your way to creating a beautifully functional space!



Set The Mood

Put on your favourite playlist, order that pizza and pour yourself a drink to get in the mood!



Tool Check

Layout the instructions, screws and panels to check you have everything you need. A blanket or soft floor rug will help protect your new favourite item from scratches and a drill will speed up the assembly too!



Room Reveal

You did it! Take a step back and enjoy the moment. Don't forget to recycle any packaging and share a pic of your room reveal—we love seeing how you transform your home! **Tag us @mockaaustralia/@mockaanz**

Happy flat-packing!

The Mocka Team

Need help? Our Support Team are available via live chat, email or phone. Visit our website for details.

AUSTRALIA

+61 7 3184 8466

Our phone lines are available weekdays 9am to 5pm AEST



NEW ZEALAND

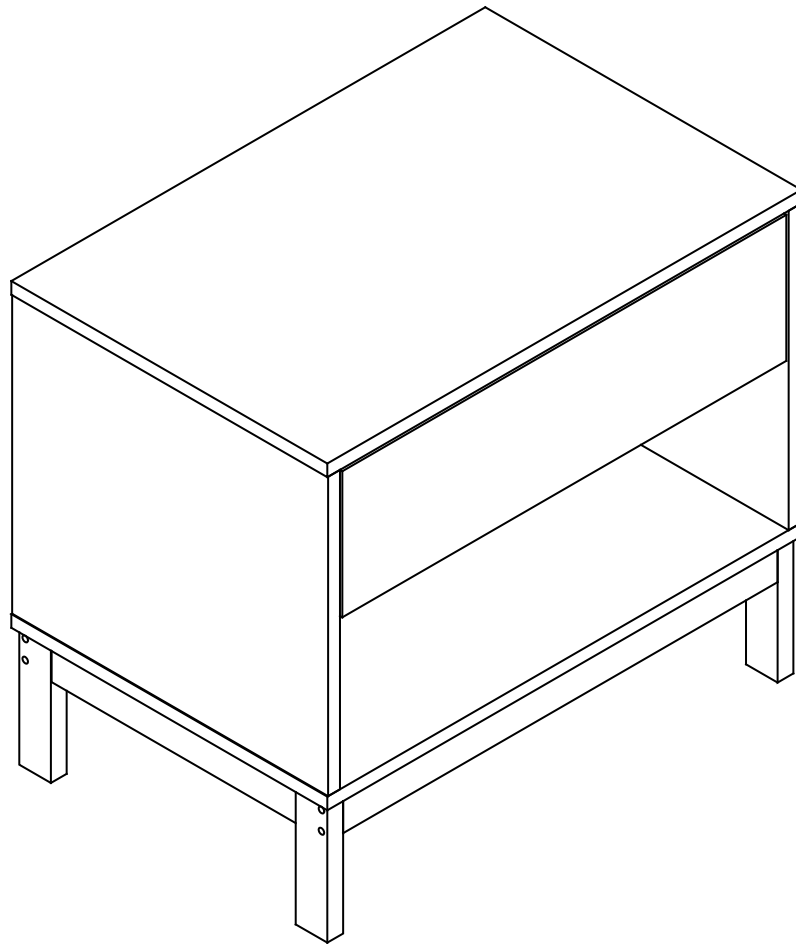
+64 3 384 1858

Our phone lines are available weekdays 9am to 5pm NZT

Zander

Bedside Table

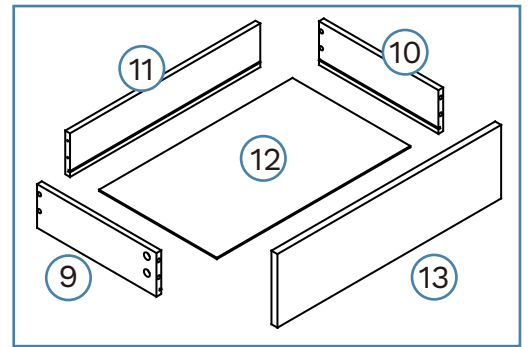
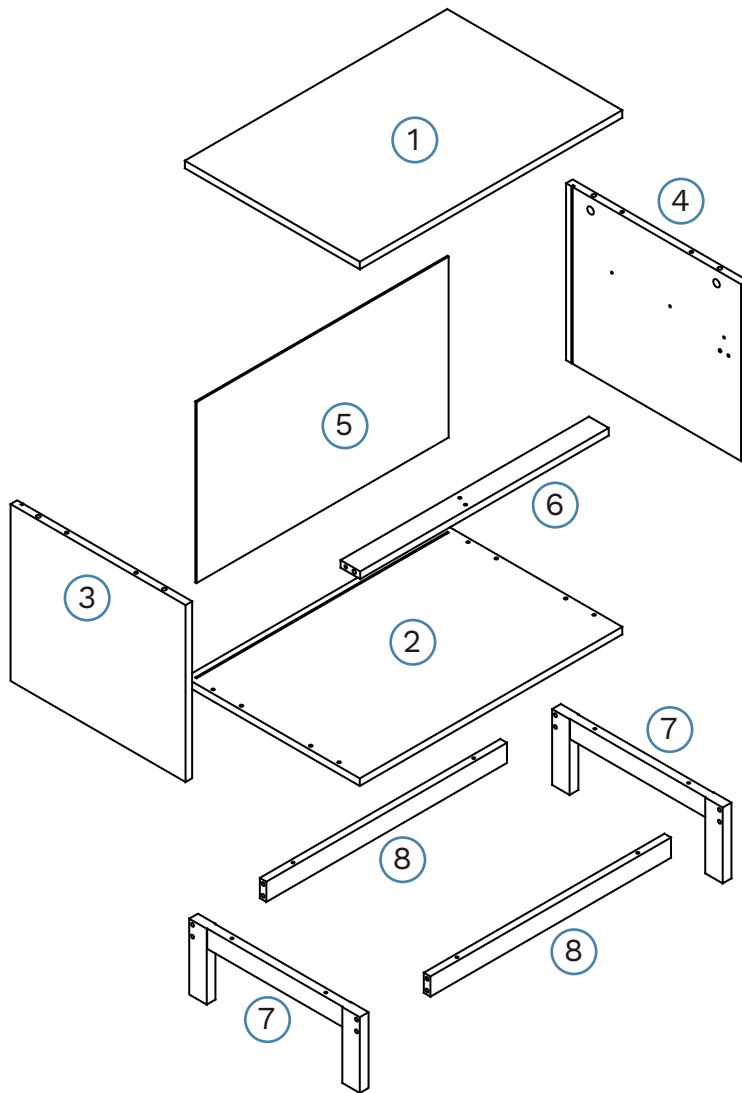
Thank you for your purchase. Please follow the instructions for correct assembly. While we took great effort to ensure these assembly instructions were correct at the time of printing, sometimes updates are required post production. For the most up to date versions please refer to the product page on our website. mocka.com.au/mocka.co.nz



Zander

Bedside Table

Panel Layout












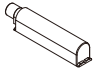




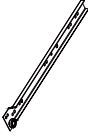
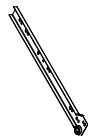




Partlist






①	Top Panel	x1	⑧	Rail	x2
②	Bottom Panel	x1	⑨	Left Drawer Side	x1
③	Left Side Panel	x1	⑩	Right Drawer Side	x1
④	Right Side Panel	x1	⑪	Drawer Back	x1
⑤	Back Panel	x1	⑫	Drawer Base	x1
⑥	Rail	x1	⑬	Drawer Front	x1
⑦	Leg	x2			

Zander

Bedside Table

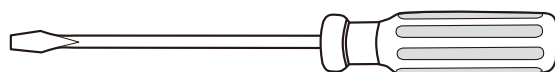
A  dowel x10	B  long screw x4	C  bolt x10	D  locking nut x10	E  screw x12	F  bolt x8	G  wedge x4	H  screw x4	I  screw x4	J  Allen Key x1
K  bracket x1	L  cover x1	M  seal x1	N  long screw x8	O  screw x3	P  washer x8	CL  slide rail x1	CR  slide rail x1	DL  slide rail x1	DR  slide rail x1

HARDWARE SUPPLIED

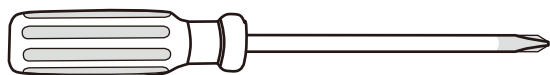
V  safety strap x1	W  screw x 1	X  wall anchor x 1	Y  wall screw x 1	Z  washer x 2
---	---	---	--	--

WALL STRAP

WARNING: Any furniture that is not anchored to a wall has the potential to tip over in certain circumstances, i.e. if a child attempts to climb up on the furniture or in the event of an earthquake. Accordingly, we recommend that all furniture is anchored to a wall. We supply a free safety wall anchor with all furniture sold and we recommend these are used to prevent your product tipping. The fixing device provided should fit most wall types, but please note that different wall materials may require different fixing devices from those supplied.



Phillips & Flathead screwdrivers

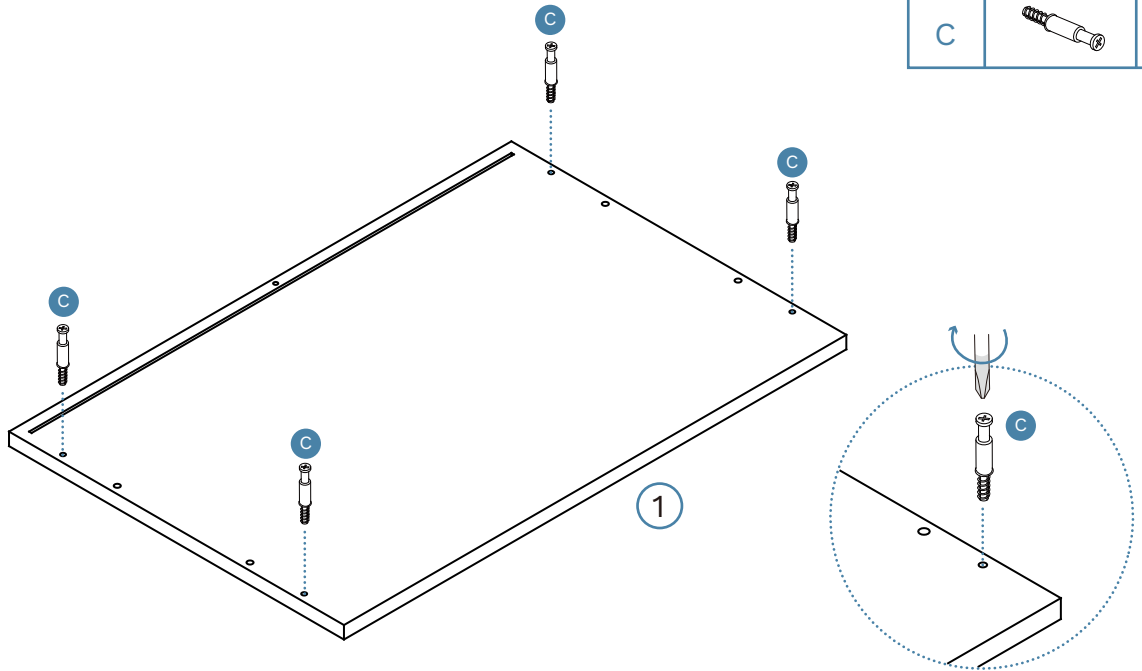


For quicker assembly, we recommend the use of a power drill on a low-speed setting.

Zander

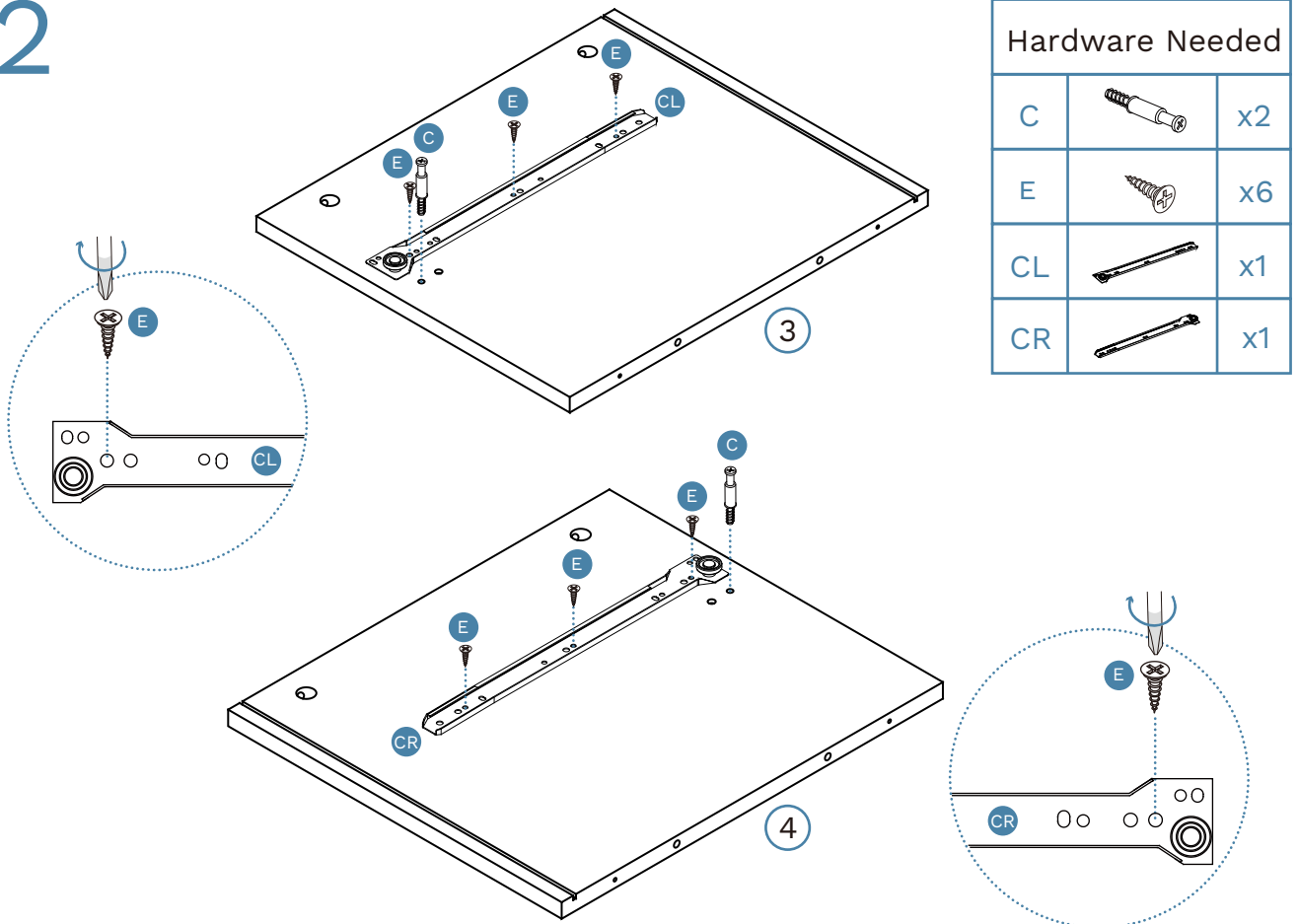
Bedside Table

1



Hardware Needed		
C		x4

2

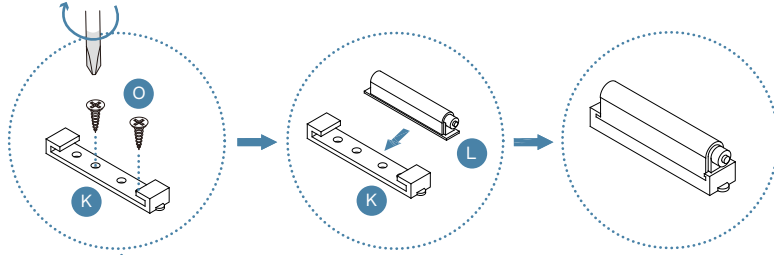


Hardware Needed		
C		x2
E		x6
CL		x1
CR		x1

Zander

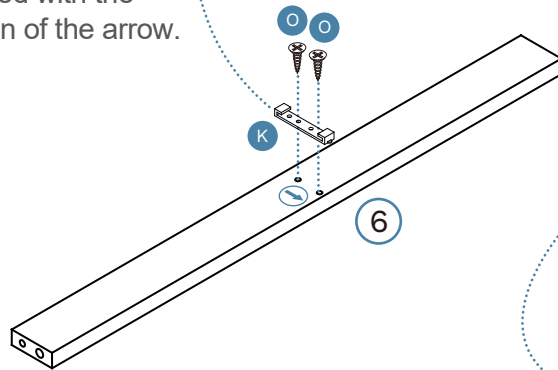
Bedside Table

3

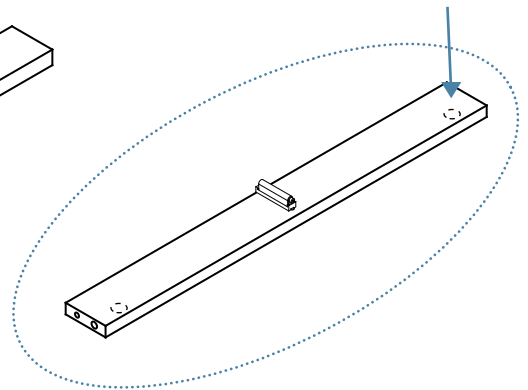


Hardware Needed		
K		x1
L		x1
O		x2

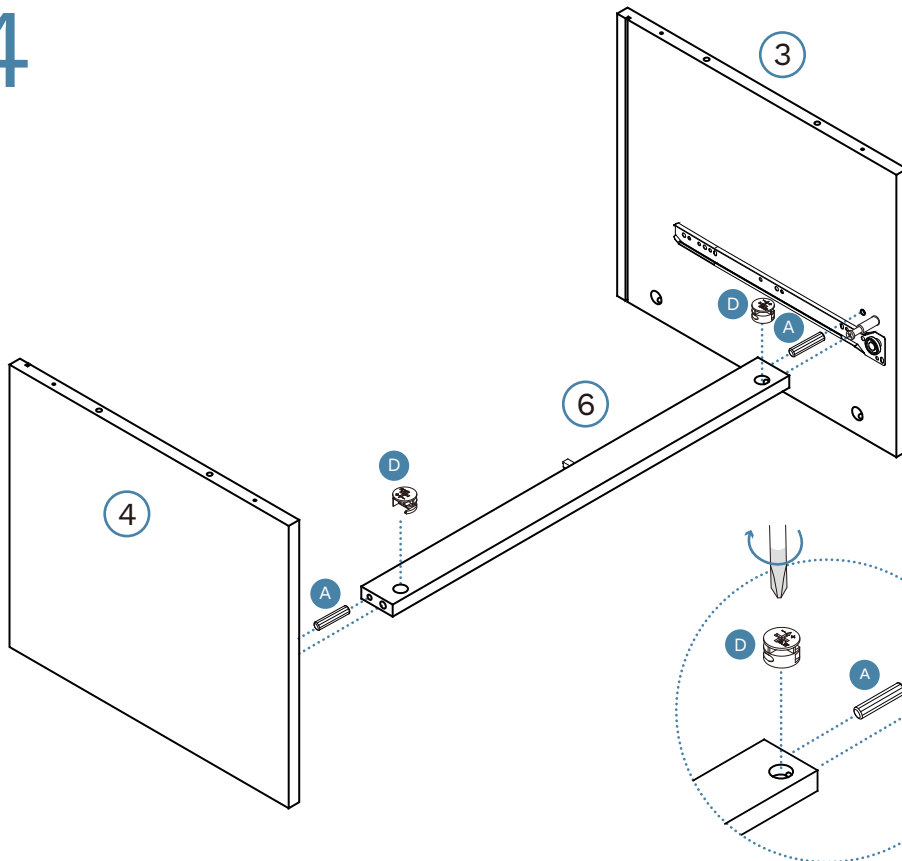
The round head is aligned with the direction of the arrow.



Hole in the front



4

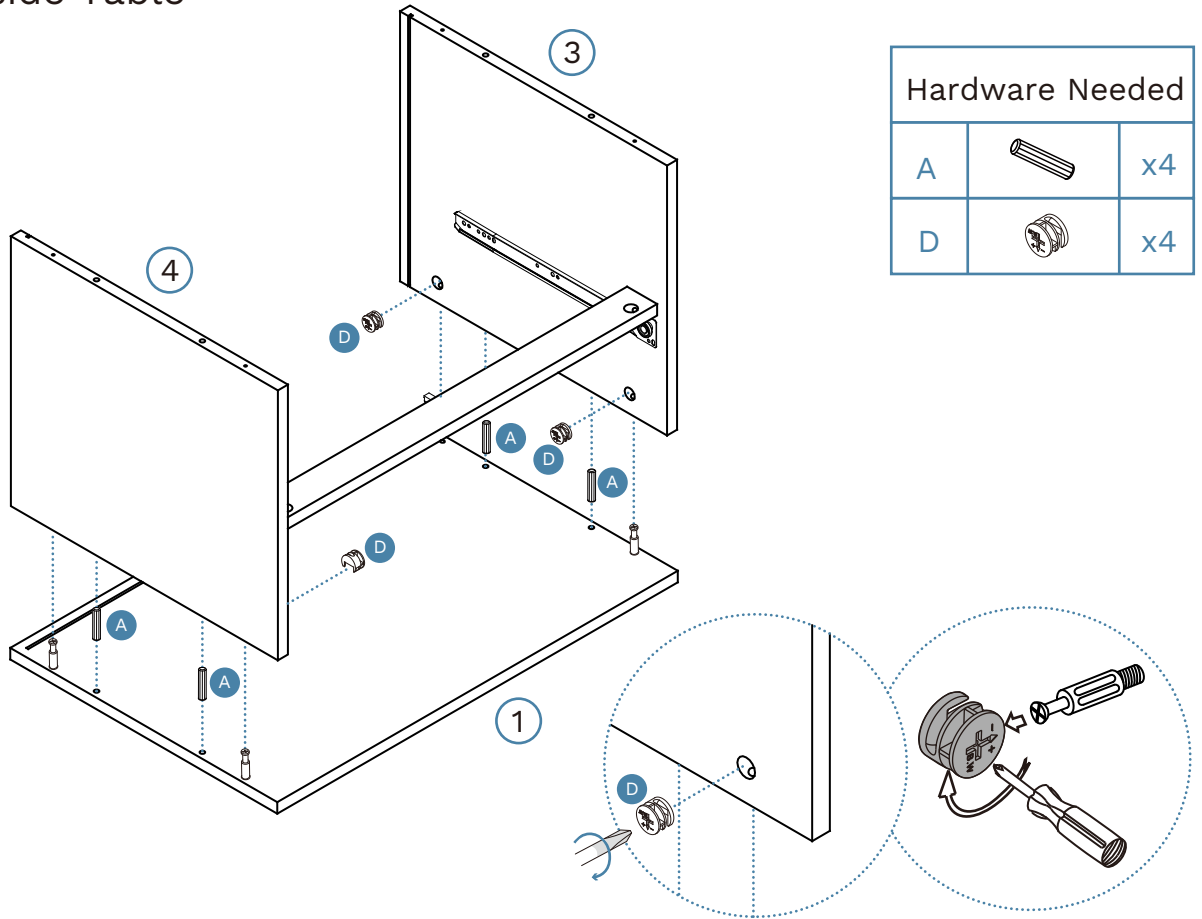




Hardware Needed		
A		x2
D		x2

Zander

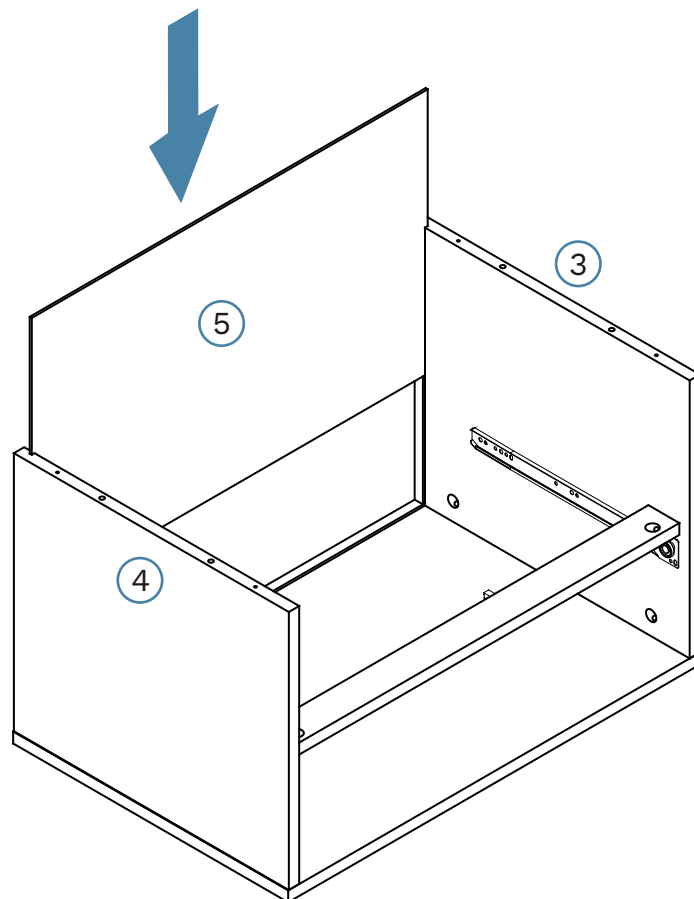
Bedside Table

5



Hardware Needed		
A		x4
D		x4

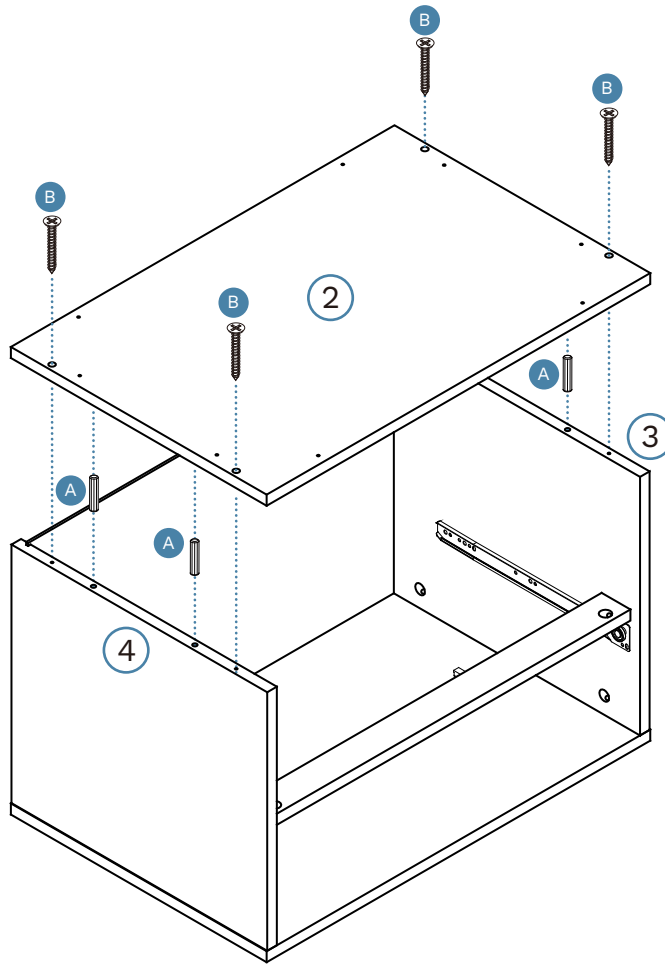
6

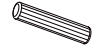



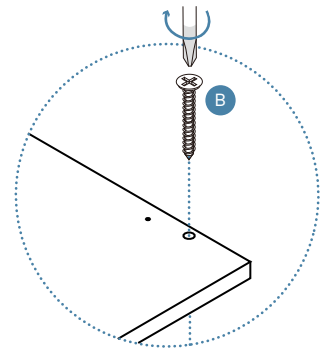
Zander

Bedside Table

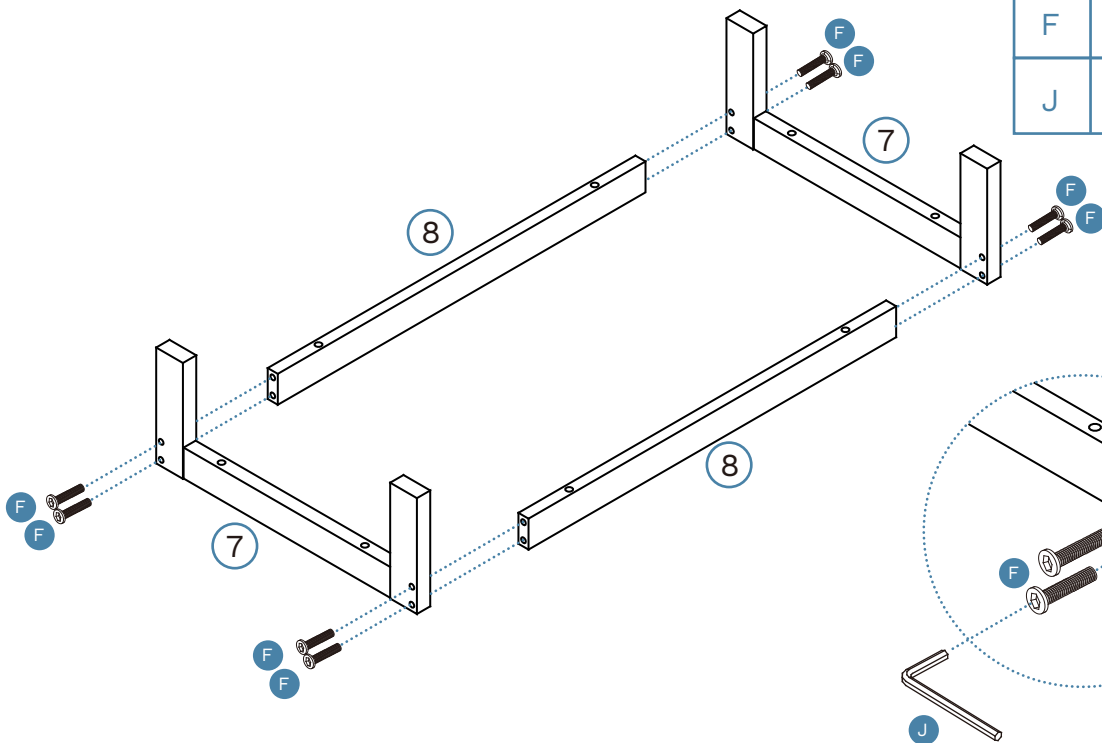
7





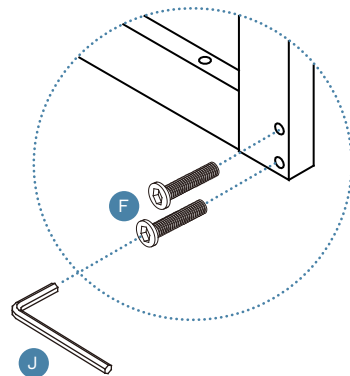
Hardware Needed		
A		x4
B		x4



8



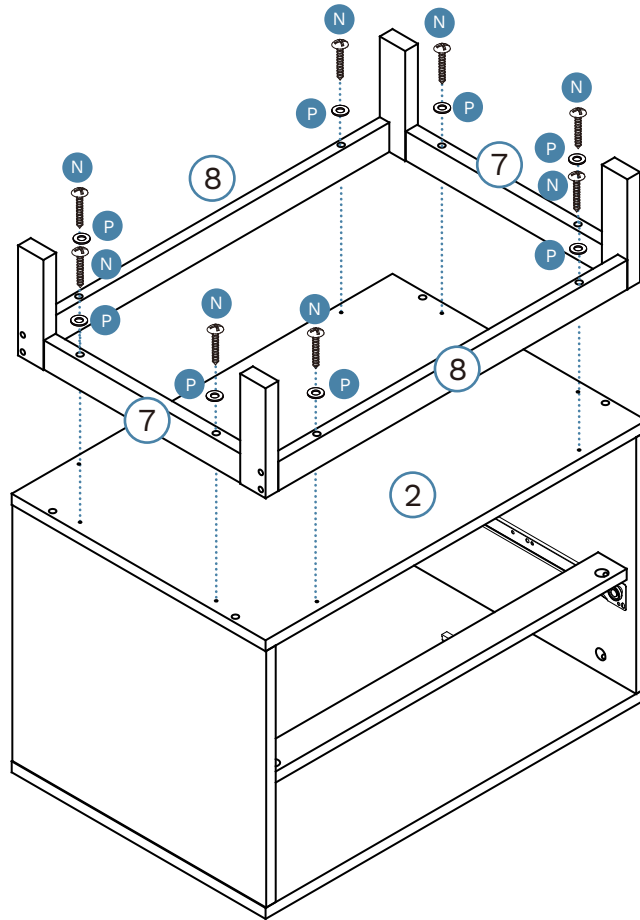
Hardware Needed		
F		x8
J		x1





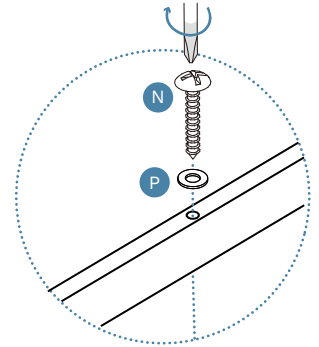
Zander

Bedside Table

9

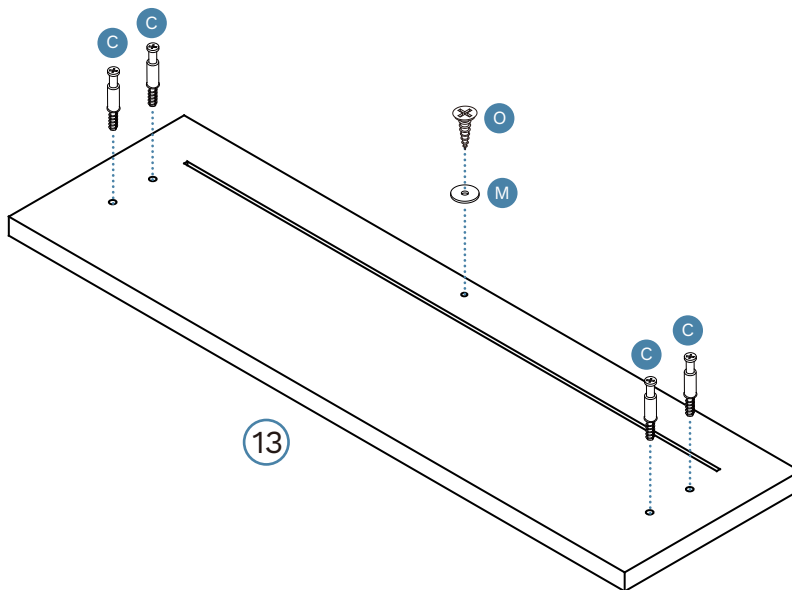





Hardware Needed		
N		x8
P		x8

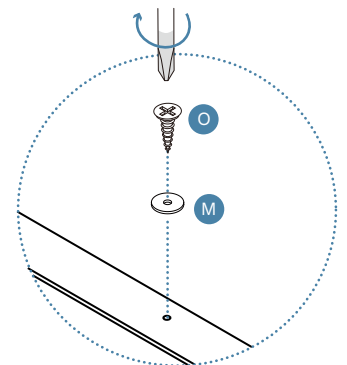


Turn Over

10




Hardware Needed		
C		x4
M		x1
O		x1

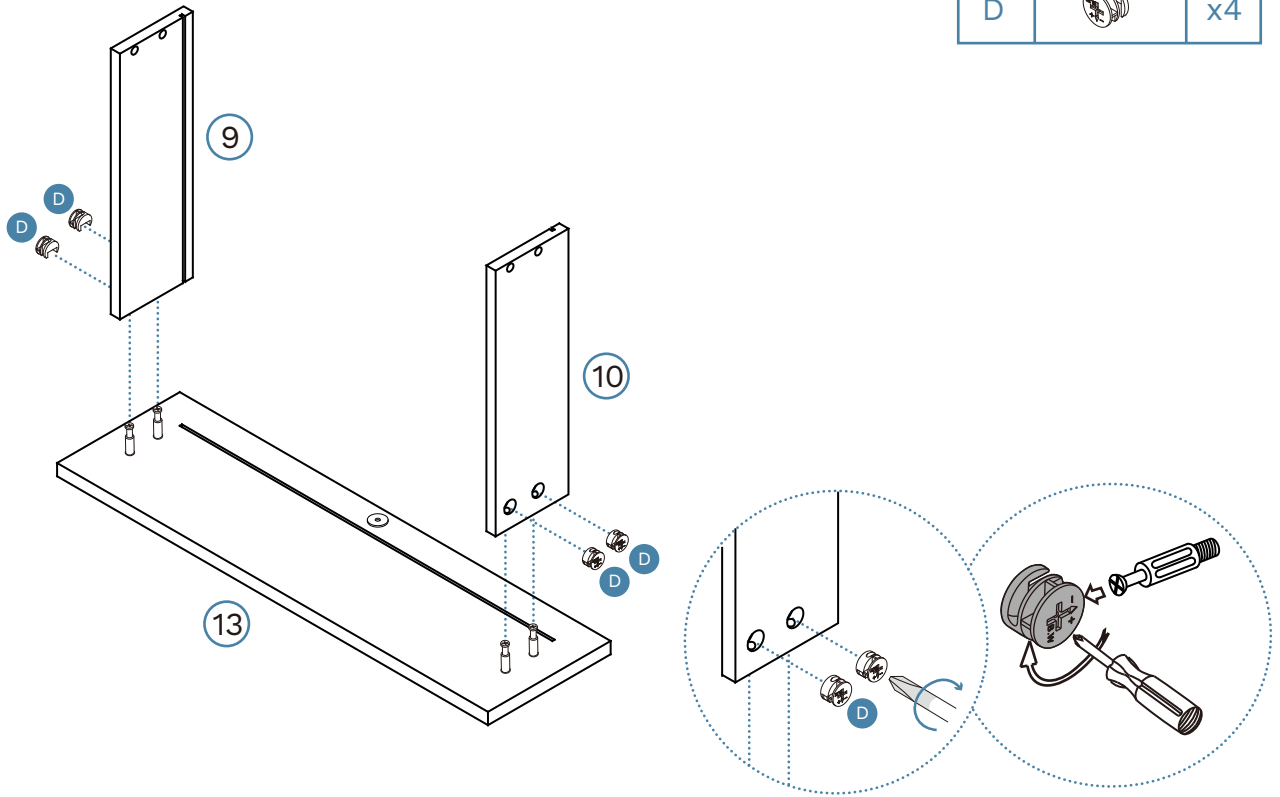


Zander

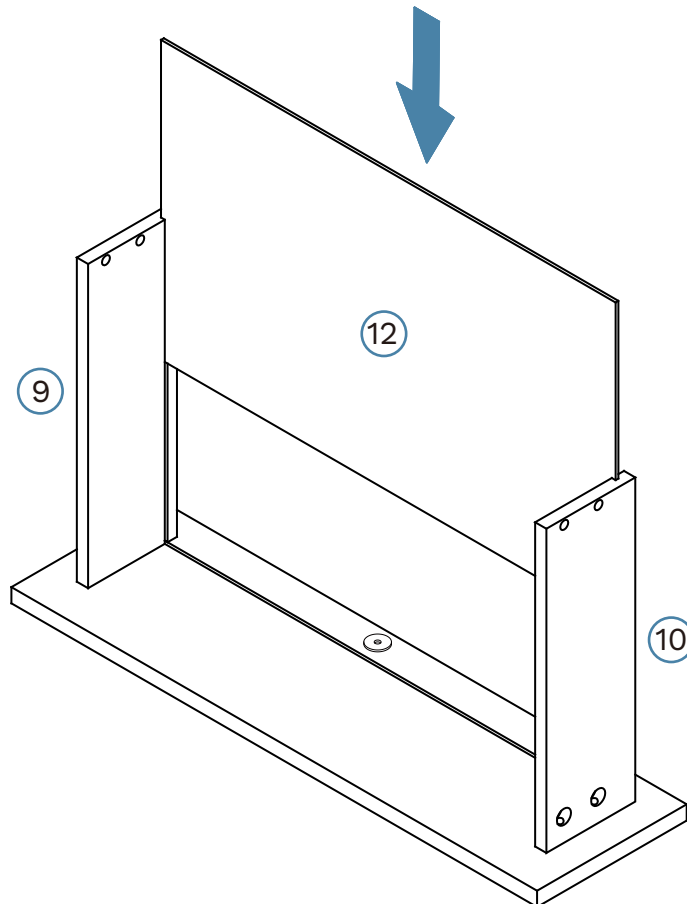
Bedside Table

11

Hardware Needed		
D		x4

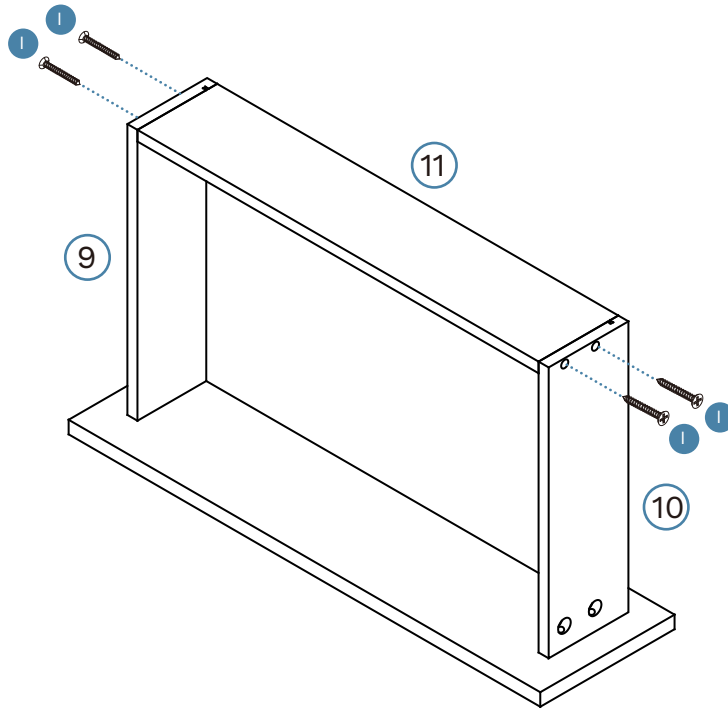


12



Zander
Bedside Table

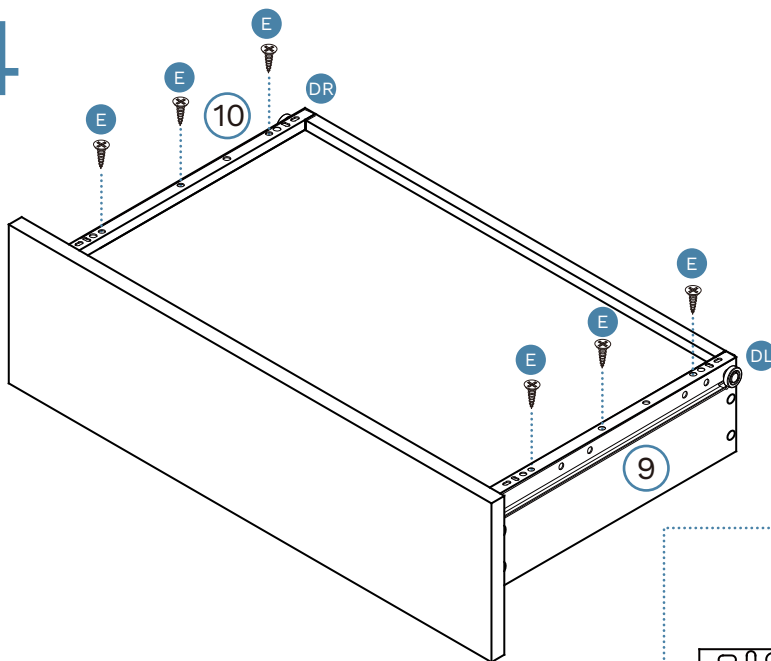
13






Hardware Needed

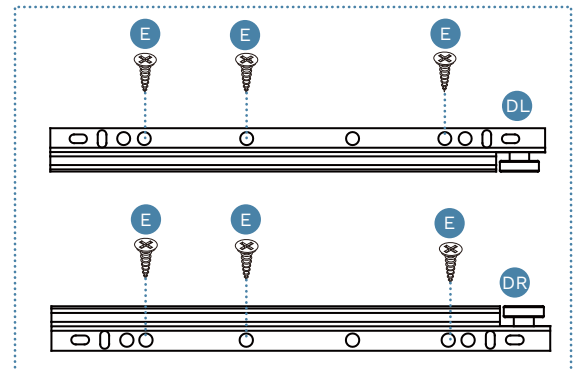
I		x4
---	---	----

14



Hardware Needed

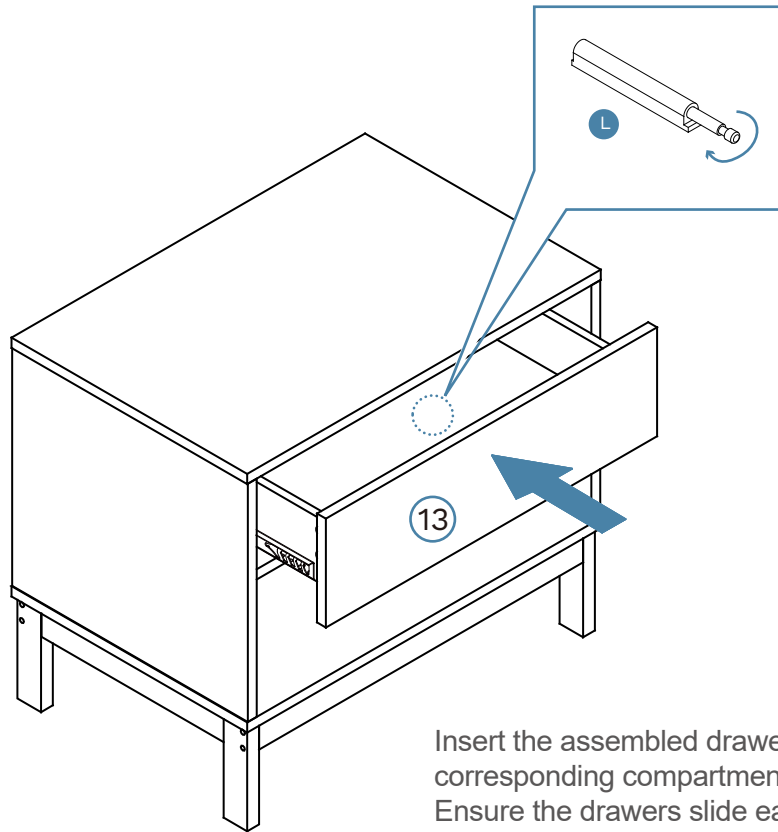
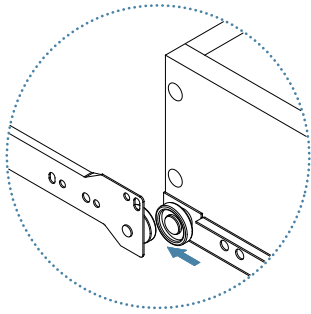
E		x6
DL		x1
DR		x1



Zander

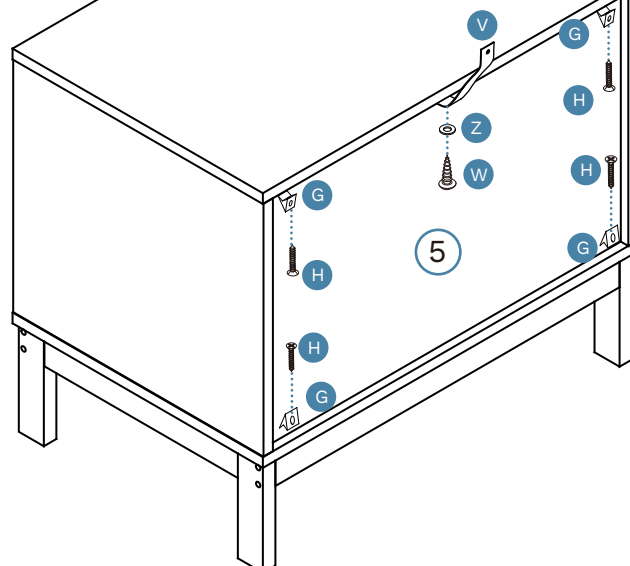
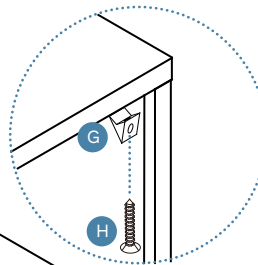
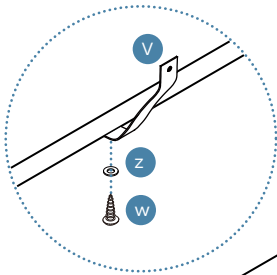
Bedside Table

15



Insert the assembled drawers into the corresponding compartments as shown. Ensure the drawers slide easily along the rails. If the door is not catching or sitting flush, twist the end of the cover (L) until it catches on the seal (M).

16



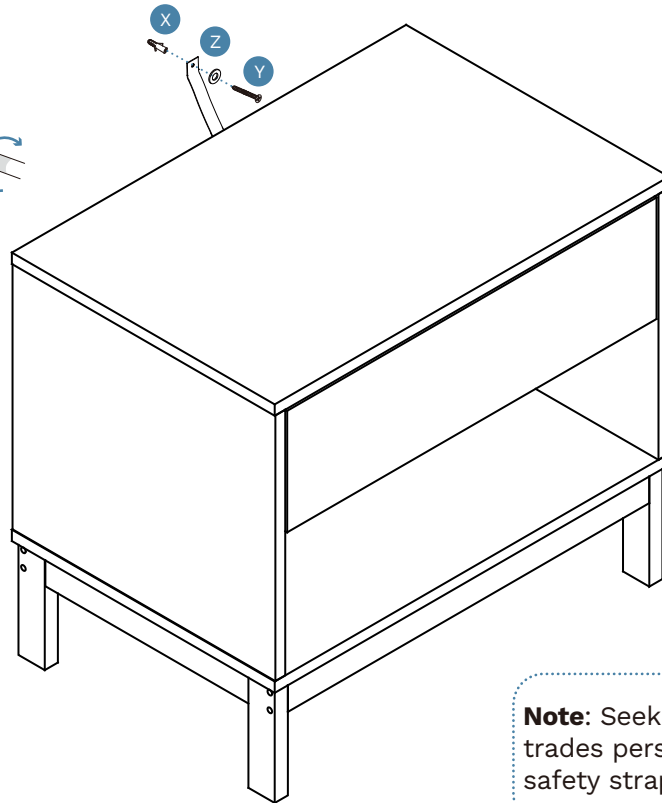
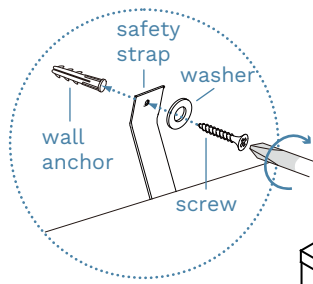
Hardware Needed




G		x4
H		x4
V		x1
W		x1
Z		x1

Zander

Bedside Table

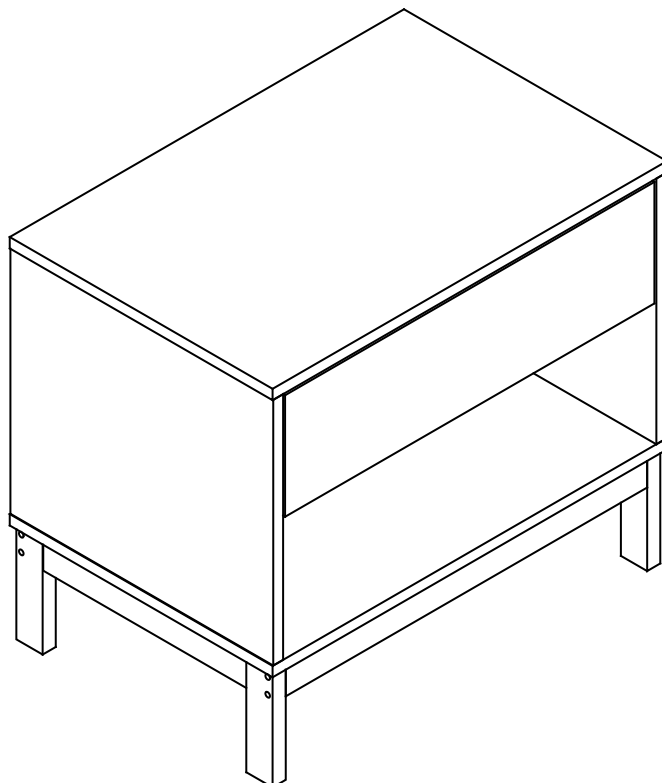
17



Hardware Needed		
x		x1
Y		x1
Z		x1

Note: Seek advice from a qualified trades person on how to attach this safety strap to your specific wall.

18



Once assembled lift furniture into place, do not drag. You're done, enjoy!



Love it for longer.

Remove all liquid and food spills immediately ONLY with a clean, damp, undyed white cloth.
Do NOT use abrasives or common household detergents.



Caring for our world.

In the interest of our environment, please dispose of all packaging thoughtfully.



Good news, you're all done!

Love it and share it on Instagram by tagging

 @mockaaustralia | @mockanz