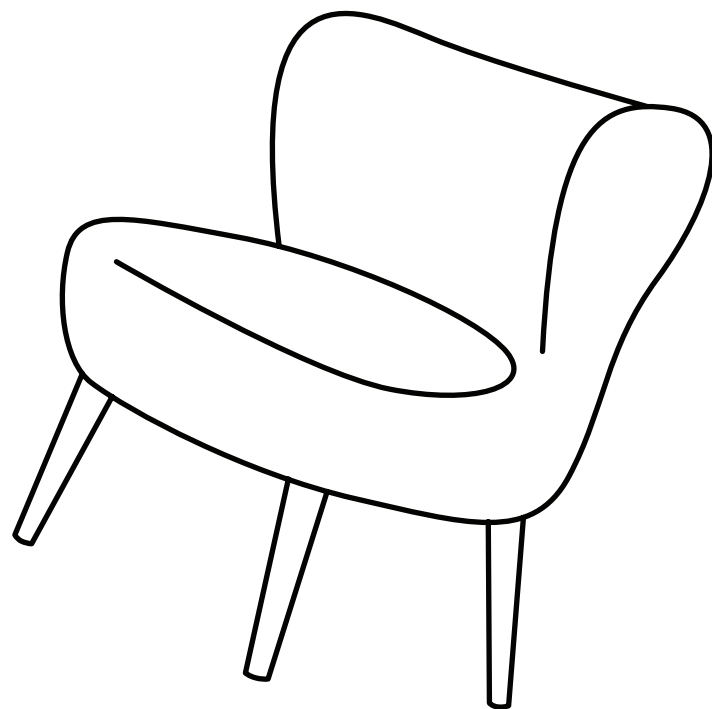
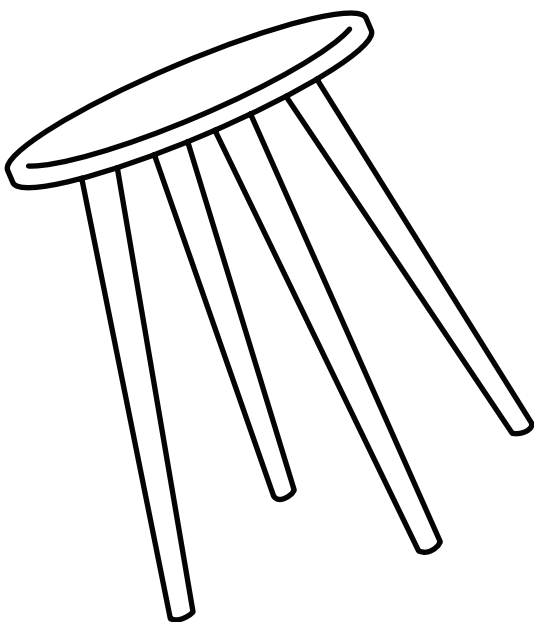


Hello,
I've arrived!

Now that I'm here you are only one
flat-pack away from transforming
your home.



Mocka.

Thank you for supporting us.

We believe design belongs to everyone. From materials and processes to safety testing, production and delivery, we are passionate and committed to bringing you the best possible product so you can create beautifully functional spaces to feel comfortably you.

Here are a few assembly tips before you get started:



Make Time

The first step to all seamless assembly is taking a moment to carefully read through the instructions—you are already on your way to creating a beautifully functional space!



Set The Mood

Put on your favourite playlist, order that pizza and pour yourself a drink to get in the mood!



Tool Check

Layout the instructions, screws and panels to check you have everything you need. A blanket or soft floor rug will help protect your new favourite item from scratches and a drill will speed up the assembly too!



Room Reveal

You did it! Take a step back and enjoy the moment. Don't forget to recycle any packaging and share a pic of your room reveal—we love seeing how you transform your home! Tag us @mockaaustralia/@mockaanz

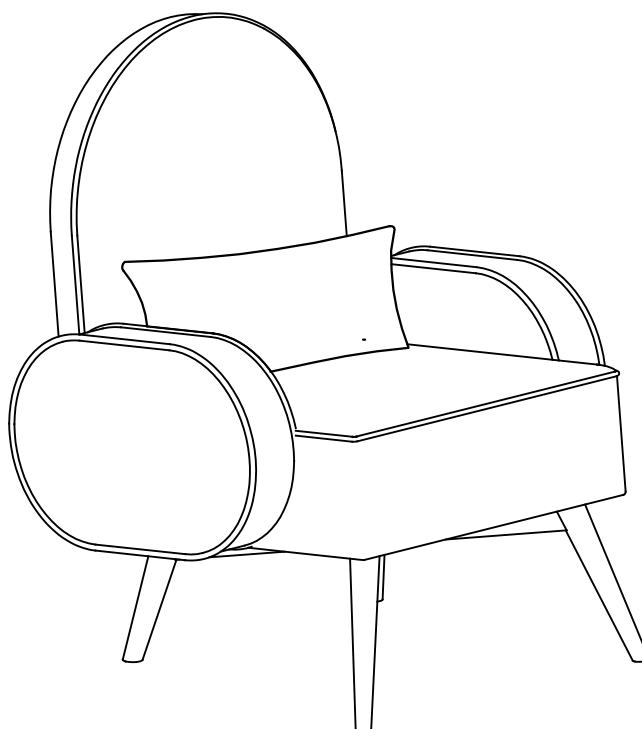
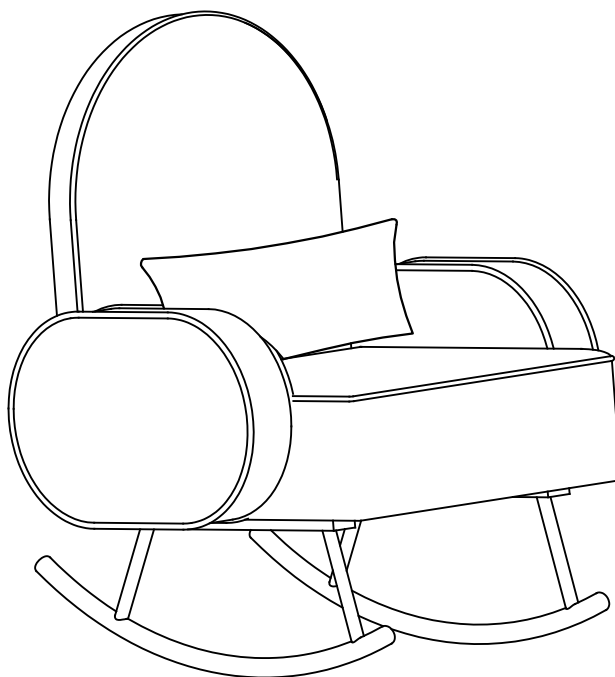
Happy flat-packing!

The Mocka Team

Buddy

2-in-1 Rocking Chair

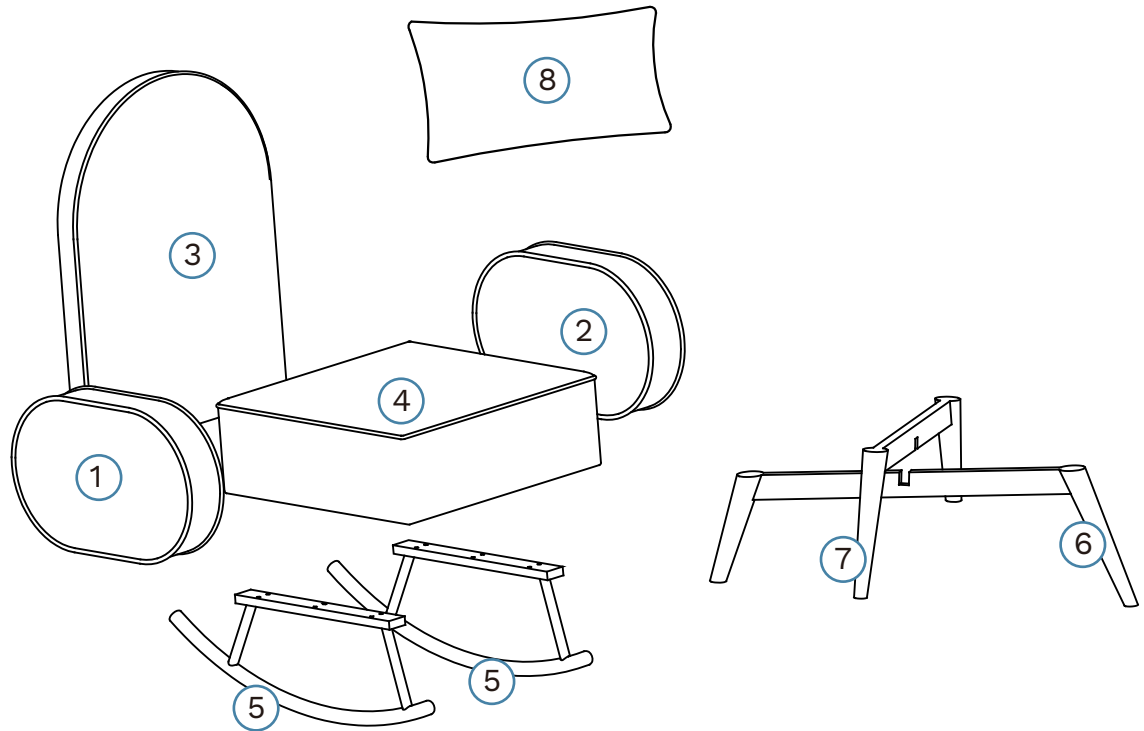
Thank you for your purchase. Please follow the instructions for correct assembly. While we took great effort to ensure these assembly instructions were correct at the time of printing, sometimes updates are required post production. For the most up to date versions please refer to the product page on our website. mocka.com.au/mocka.co.nz



Buddy

2-in-1 Rocking Chair

Panel Layout

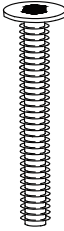
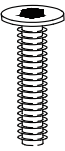
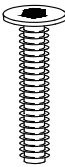



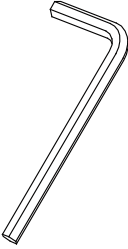




Partlist

①	Left Armrest	x1
②	Right Armrest	x1
③	Back Cushion	x1
④	Seat Cushion	x1
⑤	Leg Panel	x2
⑥	Up Leg Panel	x1
⑦	Down Leg Panel	x1
⑧	Pillow	x1

Buddy

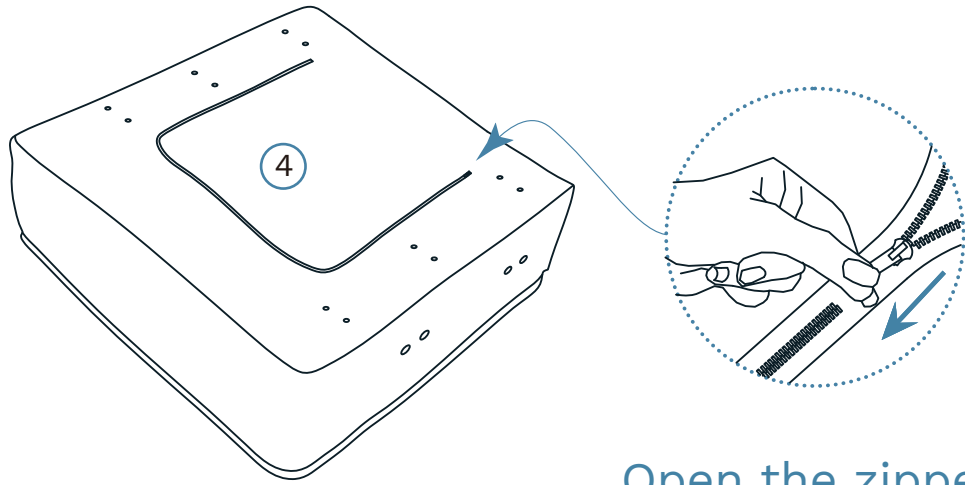
2-in-1 Rocking Chair

				
A	B	C	D	
6x M8x60 bolt	2x M8x45 bolt	12x M6x50 bolt	20x M8 spring washer	
				
E	F	G	H	I
12x M6 flat washer	8x M8 flat washer	1x 5mm all key	6x wood dowel	1x 4mm all key

HARDWARE SUPPLIED

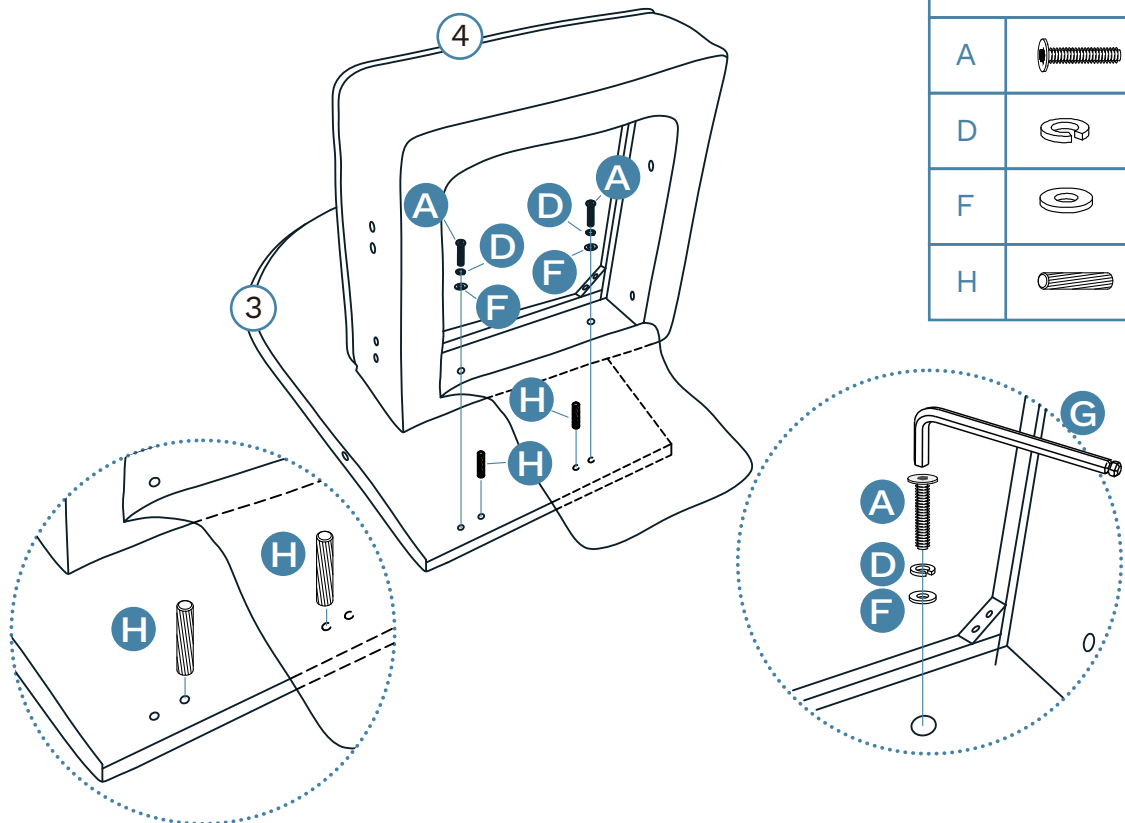
Buddy 2-in-1 Rocking Chair

1







Open the zipper

2



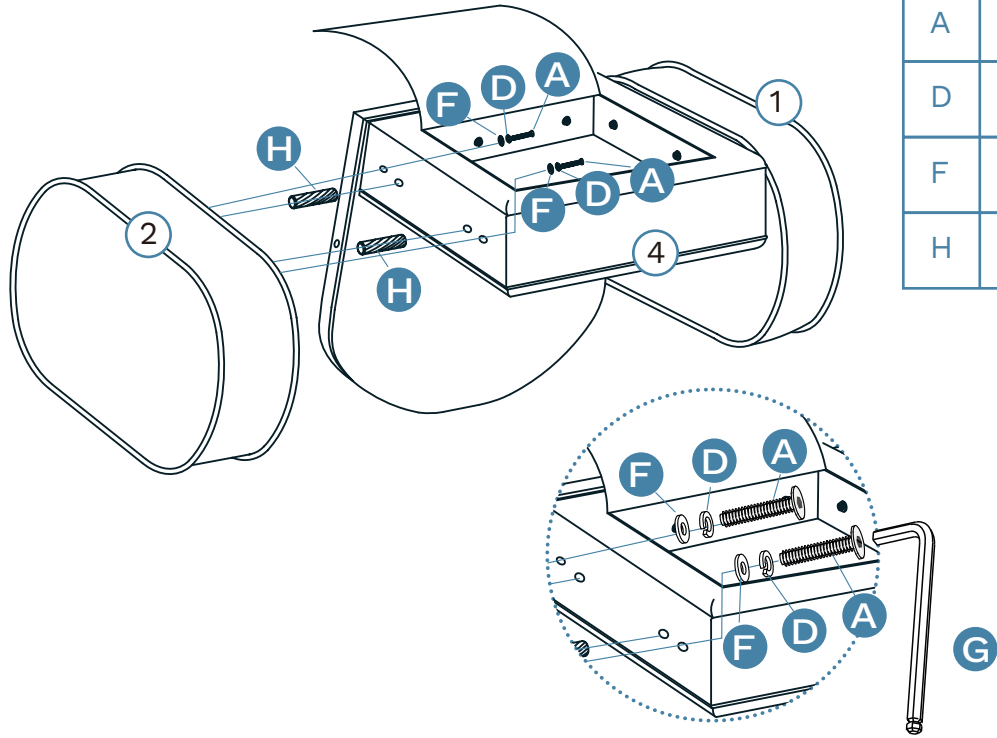
Hardware Needed

A		x2
D		x2
F		x2
H		x2





Buddy

2-in-1 Rocking Chair

3

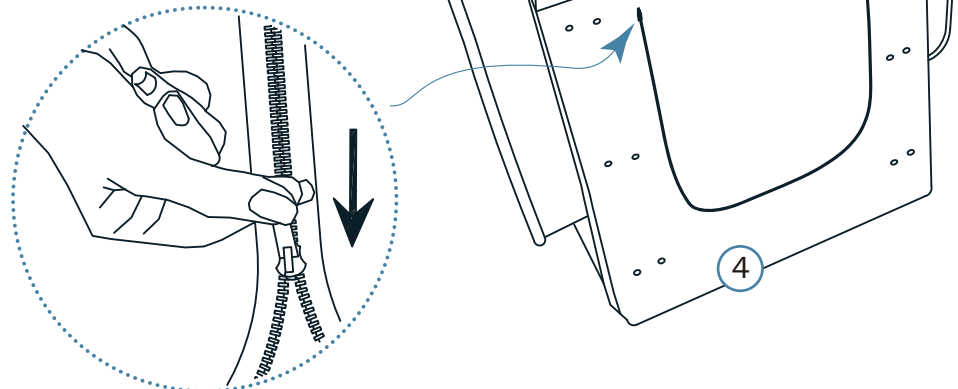


Hardware Needed

A		x4
D		x4
F		x4
H		x4

4

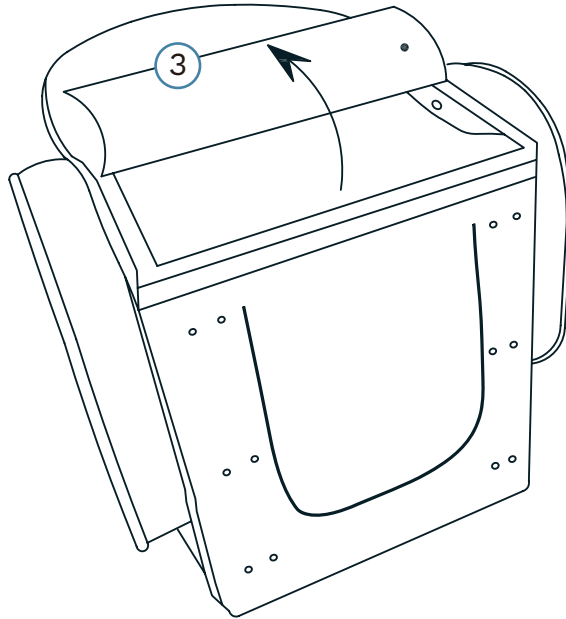
Close the zipper



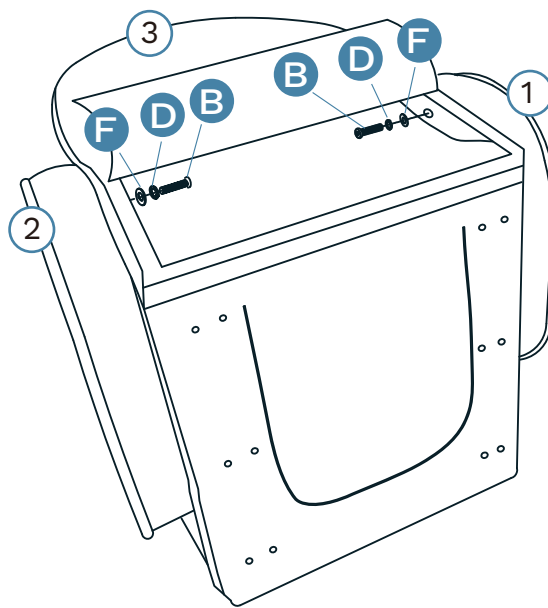
Buddy




2-in-1 Rocking Chair

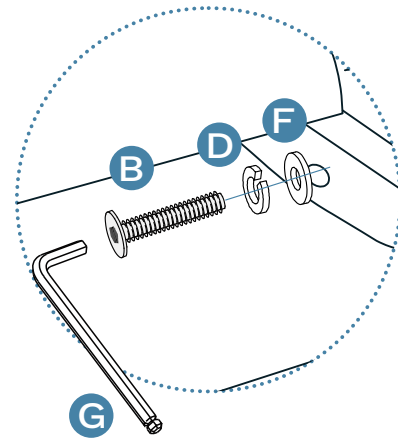
5



6



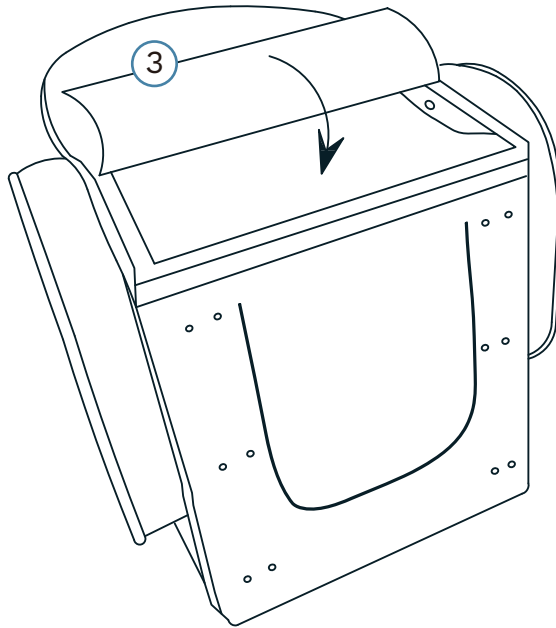
Hardware Needed		
B		x2
D		x2
F		x2



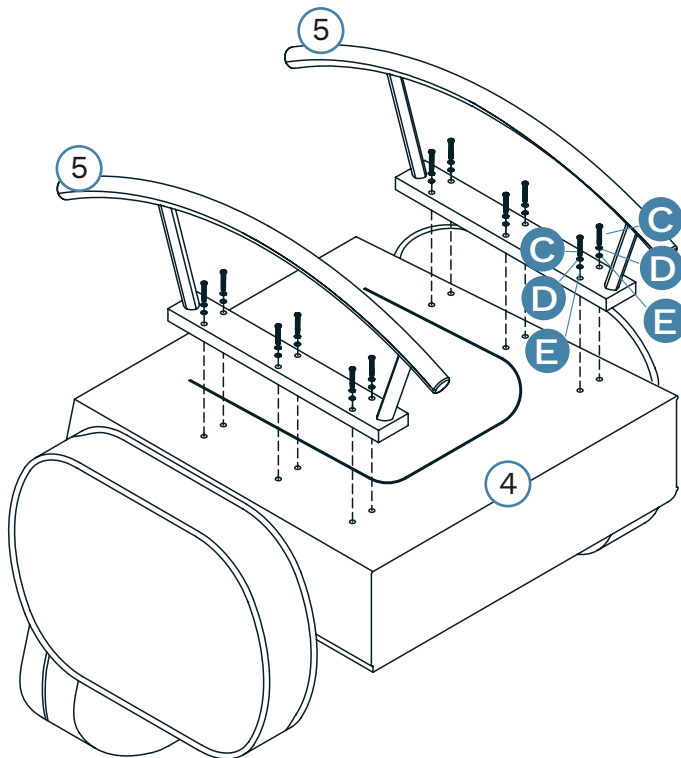
Buddy

2-in-1 Rocking Chair




7

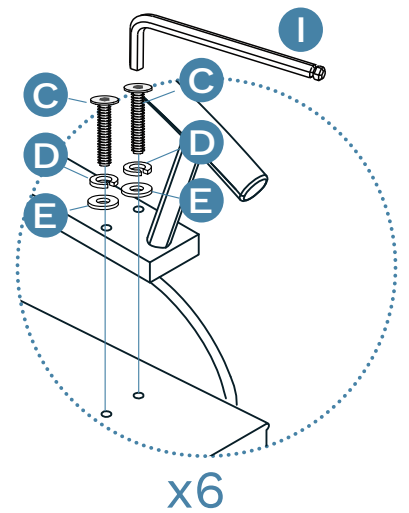


8



Hardware Needed

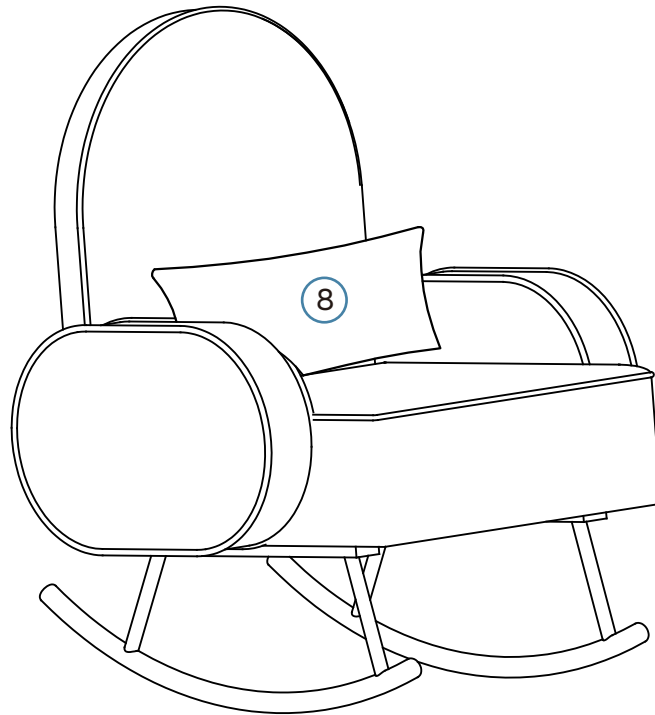
C		x12
D		x12
E		x12



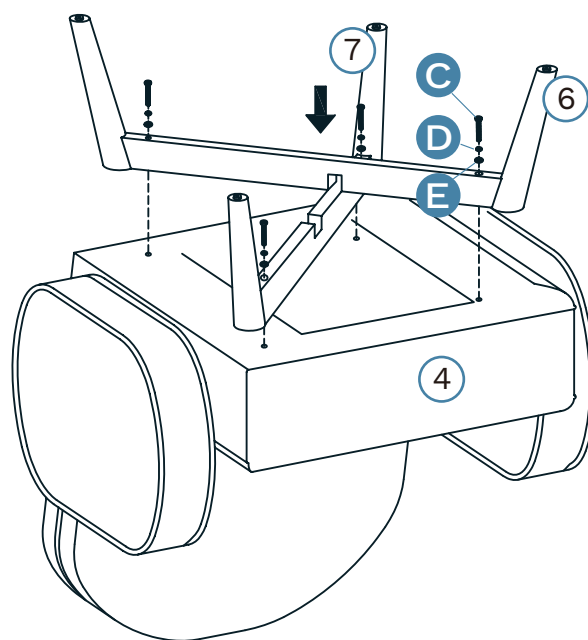
Buddy

2-in-1 Rocking Chair




9

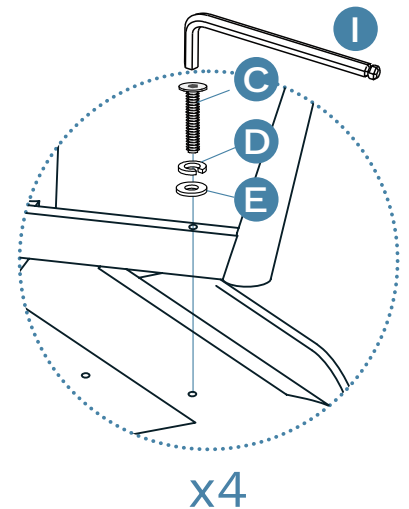


10



Hardware Needed

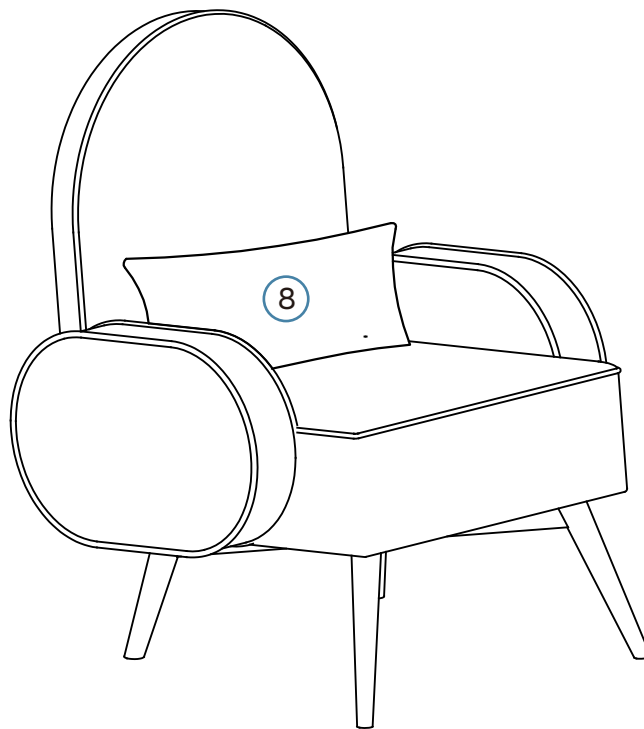
C		x4
D		x4
E		x4



Buddy

2-in-1 Rocking Chair

11





Love it for longer.

Remove all liquid and food spills immediately ONLY with a clean, damp, undyed white cloth.
Do NOT use abrasives or common household detergents.



Caring for our world.

In the interest of our environment, please dispose of all packaging thoughtfully.



Good news, you're all done!

Love it and share it on Instagram by tagging

 @mockaaustralia | @mockanz