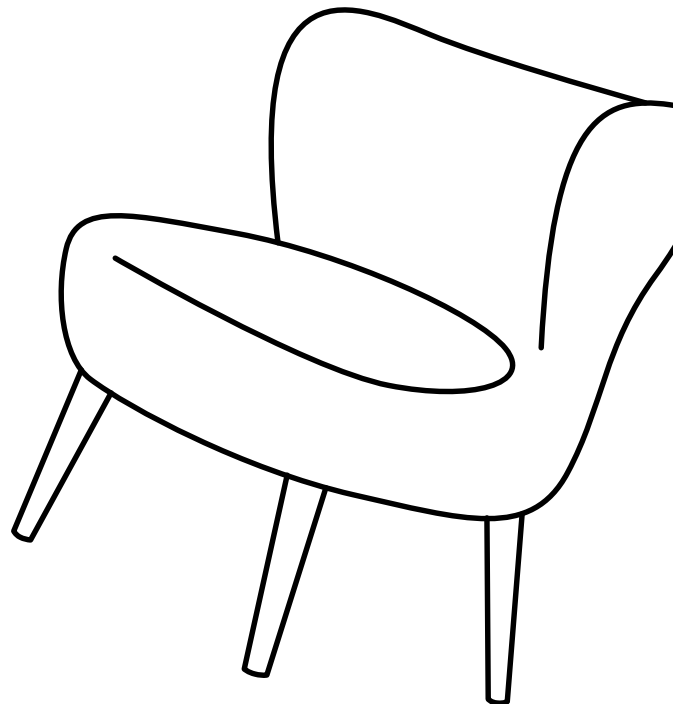
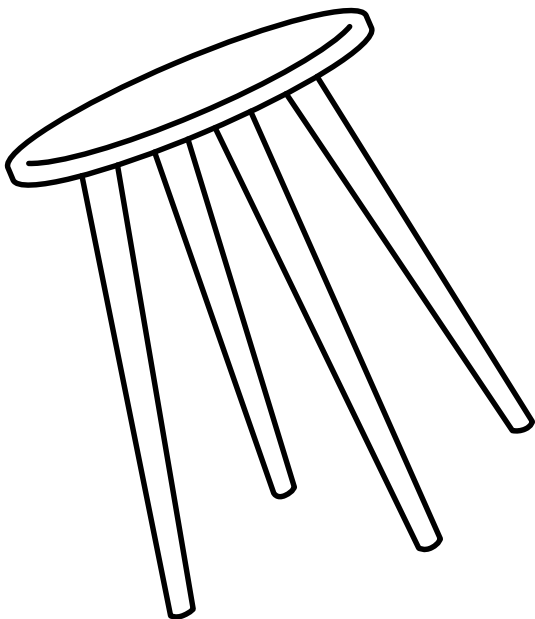


Hello, I've arrived!

Now that I'm here you are only one flat-pack away from transforming your home.



Mocka.

Thank you for supporting us.

We believe design belongs to everyone. From materials and processes to safety testing, production and delivery, we are passionate and committed to bringing you the best possible product so you can create beautifully functional spaces to feel comfortably you.

Here are a few assembly tips before you get started:



Make Time

The first step to all seamless assembly is taking a moment to carefully read through the instructions—you are already on your way to creating a beautifully functional space!



Set The Mood

Put on your favourite playlist, order that pizza and pour yourself a drink to get in the mood!



Tool Check

Layout the instructions, screws and panels to check you have everything you need. A blanket or soft floor rug will help protect your new favourite item from scratches and a drill will speed up the assembly too!



Room Reveal

You did it! Take a step back and enjoy the moment. Don't forget to recycle any packaging and share a pic of your room reveal—we love seeing how you transform your home! **Tag us @mockaaustralia/@mockaanz**

Happy flat-packing!

The Mocka Team

Need help? Our Support Team are available via live chat, email or phone. Visit our website for details.

AUSTRALIA

+61 7 3184 8466

Our phone lines are available
weekdays 9am to 5pm AEST



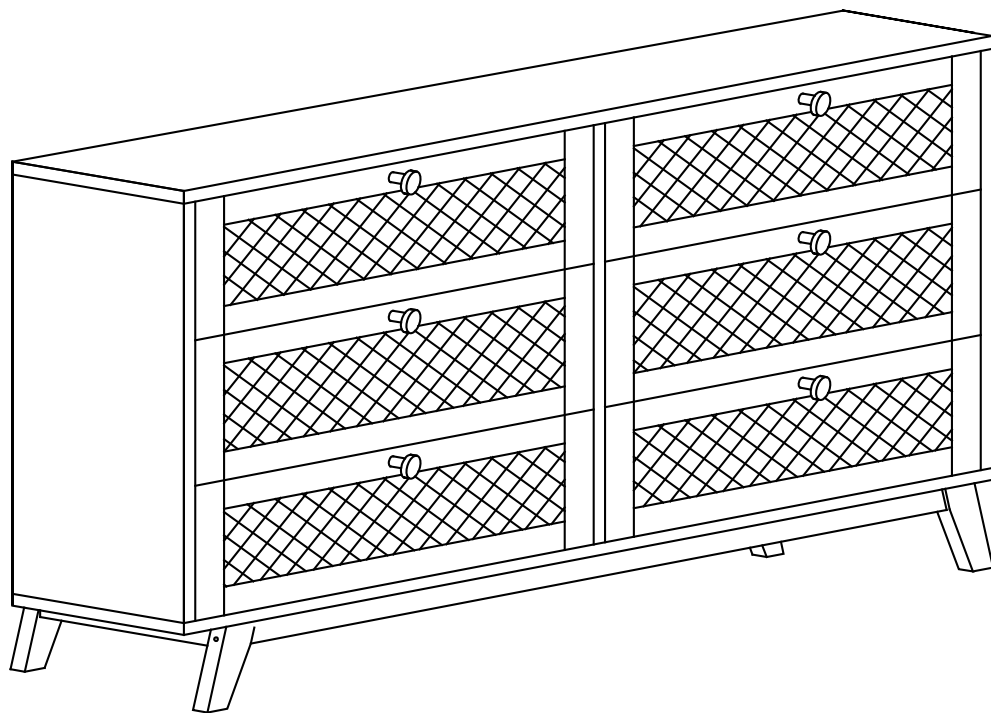
NEW ZEALAND

+64 3 384 1858

Our phone lines are available
weekdays 9am to 5pm NZT

Genevieve Six Drawer

Thank you for your purchase. Please follow the instructions for correct assembly. While we took great effort to ensure these assembly instructions were correct at the time of printing, sometimes updates are required post production. For the most up to date versions please refer to the product page on our website. mocka.com.au/mocka.co.nz



⚠️ WARNING

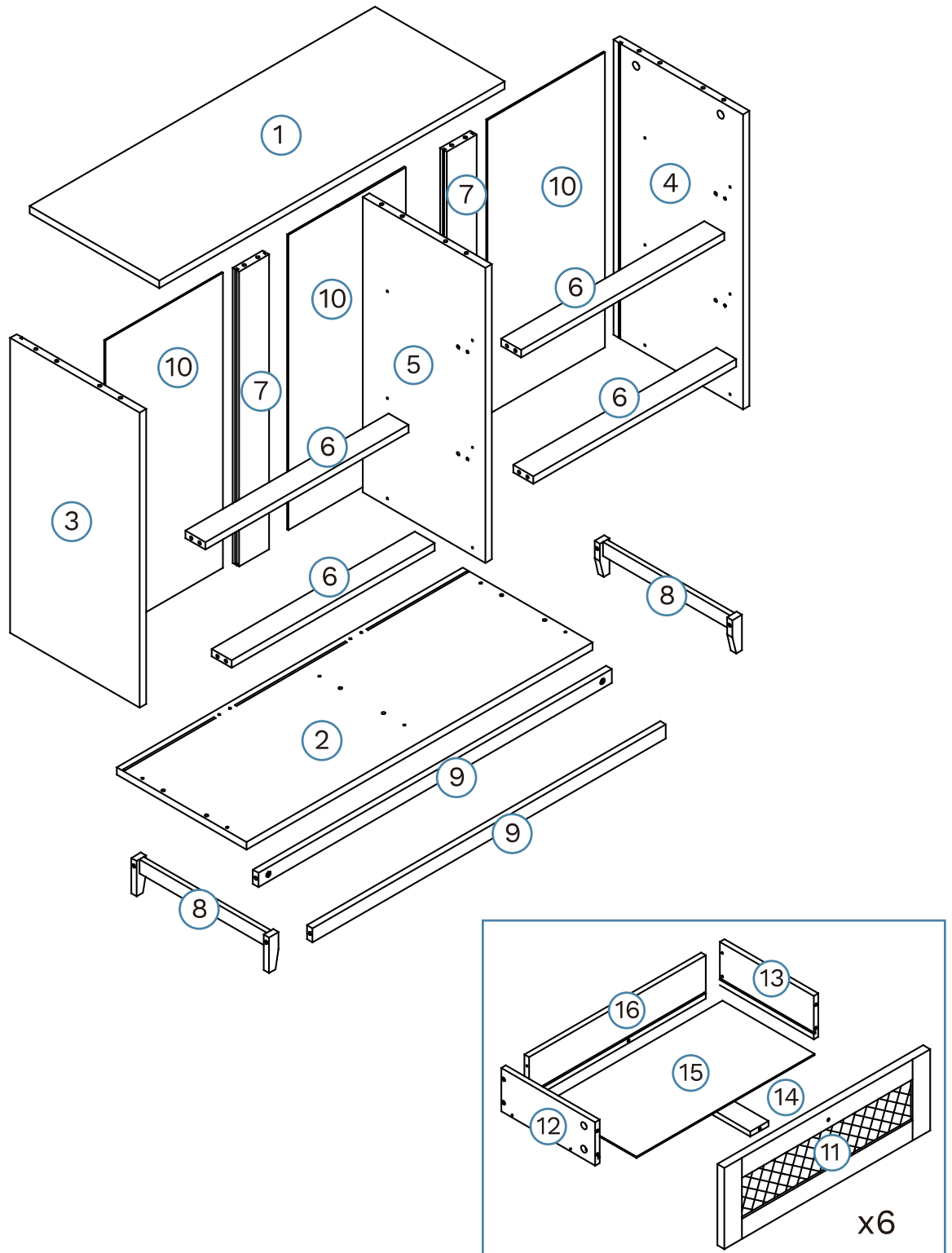
Children have died from furniture toppling over.

- **ALWAYS** secure this furniture with an anchor device.
- **NEVER** allow children to stand, climb or hang on drawers, doors or shelves.
- **NEVER** open more than one drawer at a time.
- Place heavy items down low.
- **NEVER** place a television on this furniture.






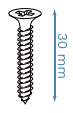
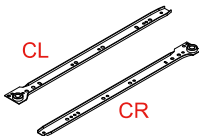

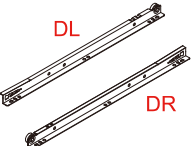




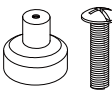
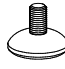








Genevieve Six Drawer

Panel Layout

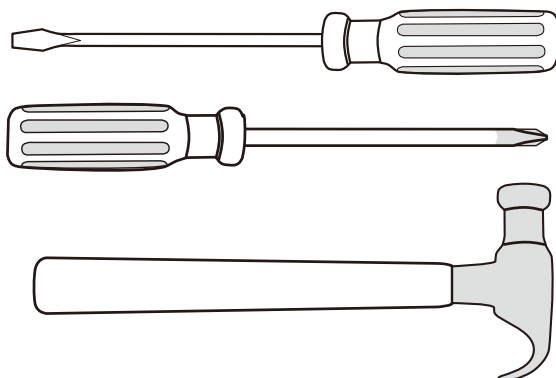


Genevieve Six Drawer

A  bolt x51	B  locking nut x 51	C  dowel x20	D  long screw x21	E  small screw x60	F  medium screw x30	
CL  L+R slide rail x12	CR 	DL  L+R slide rail x12	DR 	I  nut x4	J  long screw x4	K  wedge x14
L  handle x6	M  long screw x1	N  shelf plug x1	HARDWARE SUPPLIED			

W  safety strap x 2	Y  screw x 2	X  wall anchor x 2	V  wall screw x 2	Z  washer x 2
WALL STRAP				

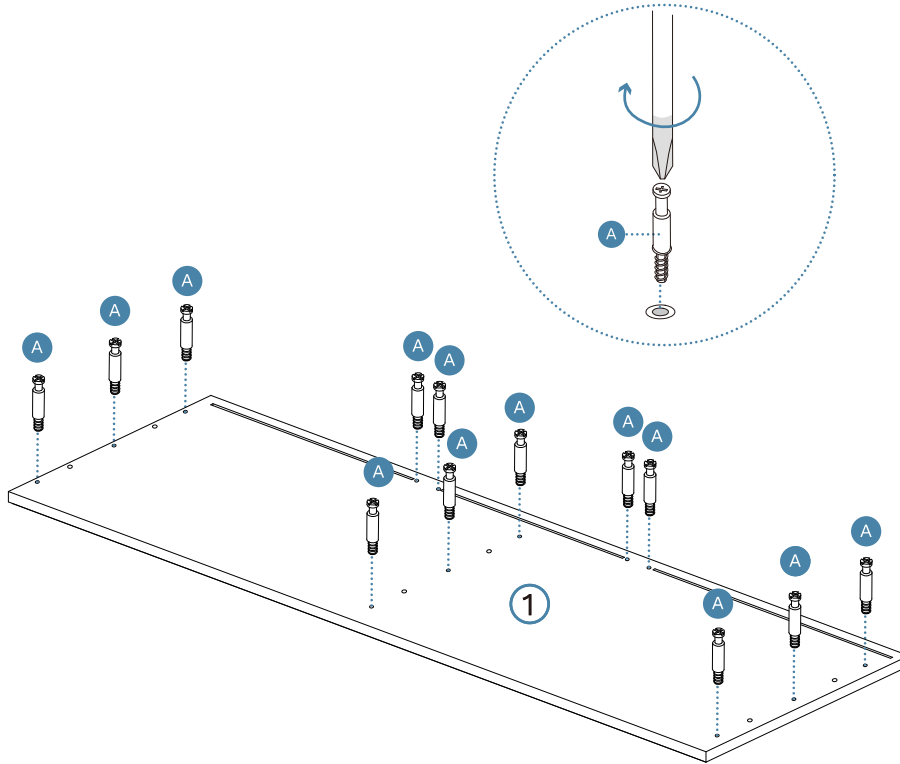
WARNING: Any furniture that is not anchored to a wall has the potential to tip over in certain circumstances, i.e. if a child attempts to climb up on the furniture or in the event of an earthquake. Accordingly, we recommend that all furniture is anchored to a wall. We supply a free safety wall anchor with all furniture sold and we recommend these are used to prevent your product tipping. The fixing device provided should fit most wall types, but please note that different wall materials may require different fixing devices from those supplied.

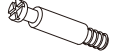


Phillips & Flathead screwdrivers
and hammer required
For quicker assembly, we recommend the
use of a power drill on a low-speed setting.

Genevieve Six Drawer

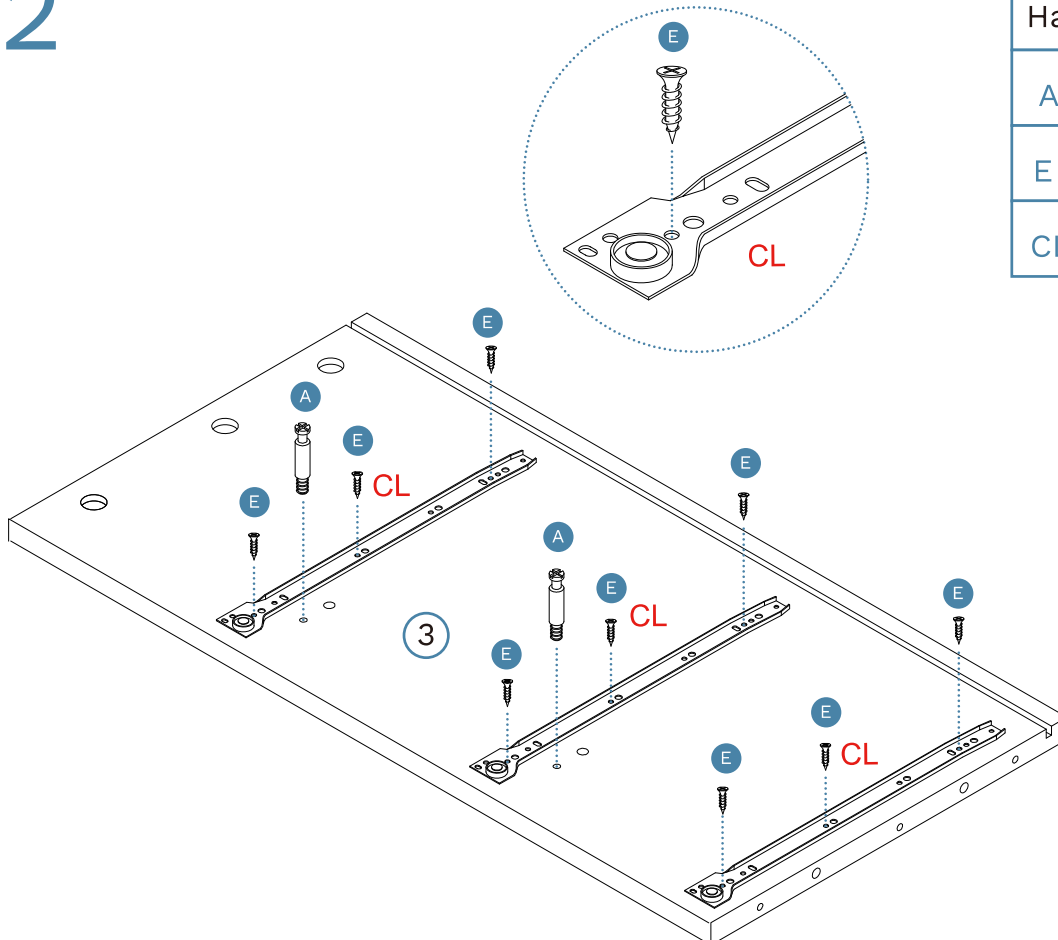
1

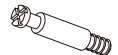




Hardware Needed		
A		x13

Please assemble it on a rug or other soft surface to avoid marking.

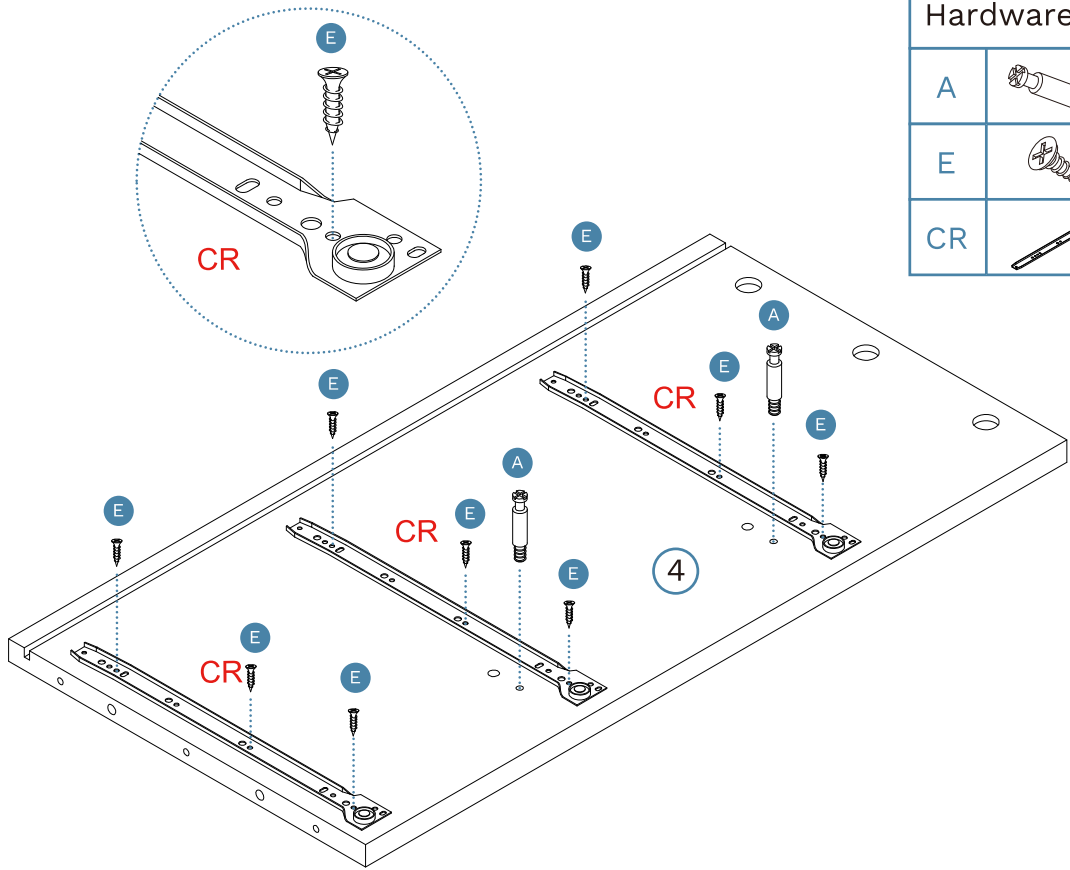
2

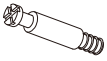




Hardware Needed		
A		x2
E		x9
CL		x3

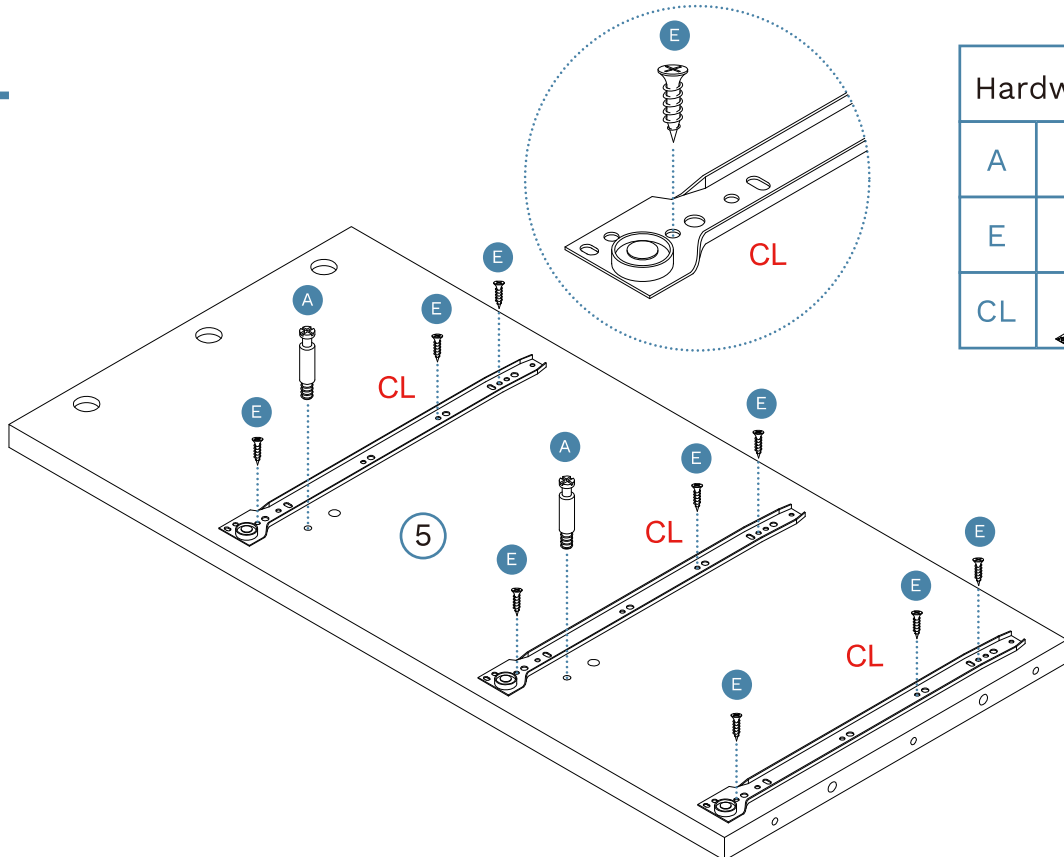
Genevieve Six Drawer

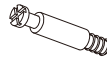


3



Hardware Needed		
A		x2
E		x9
CR		x3

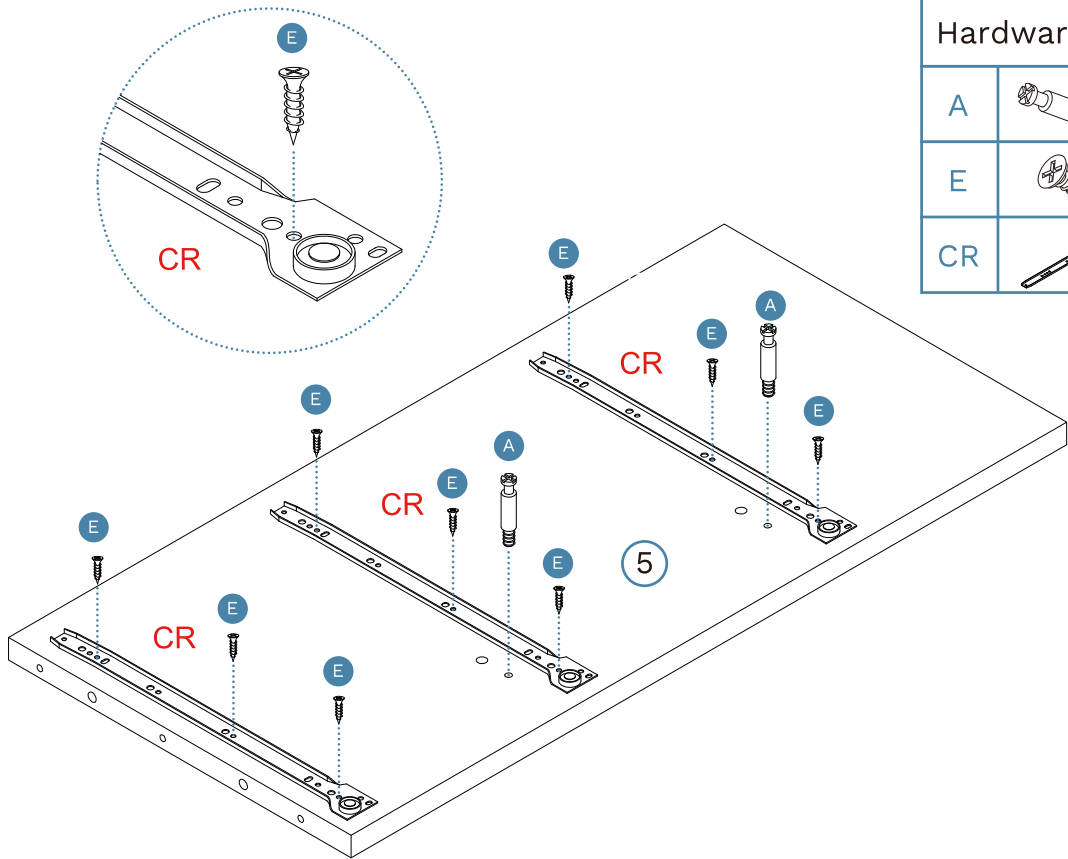
4

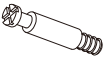




Hardware Needed		
A		x2
E		x9
CL		x3

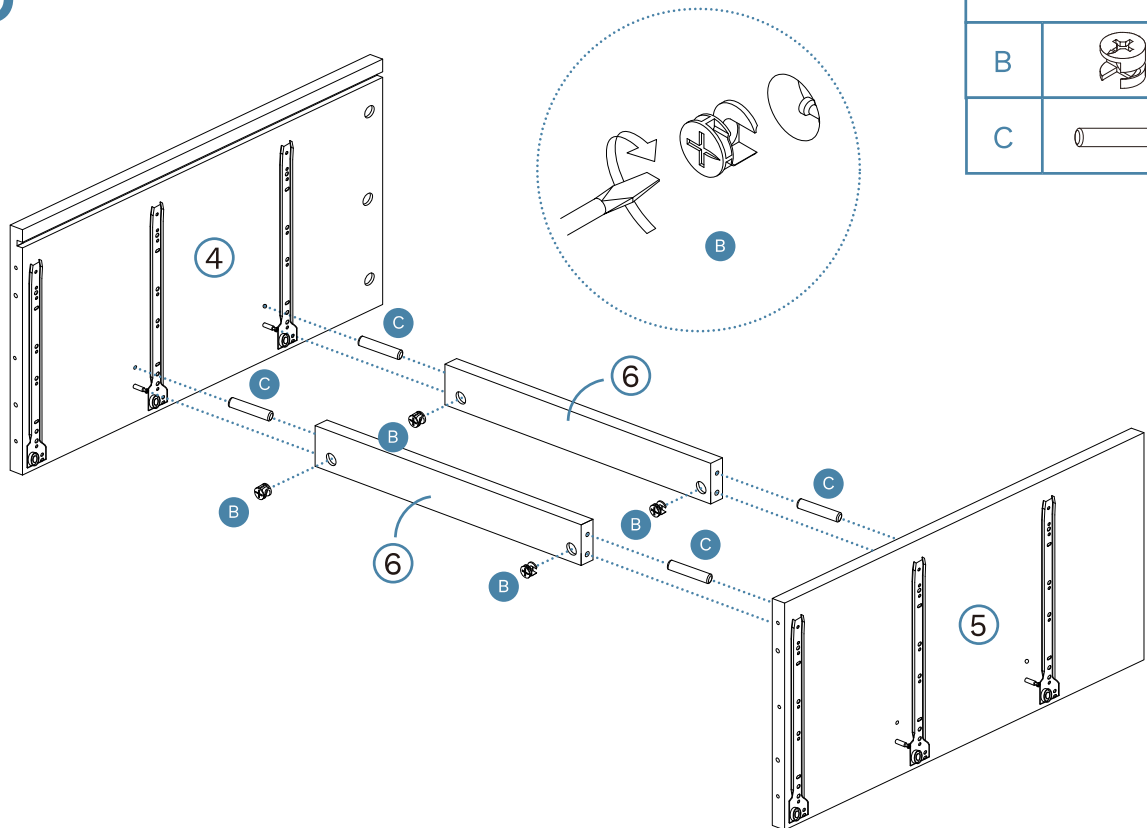
Genevieve Six Drawer


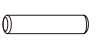
5



Hardware Needed		
A		x2
E		x9
CR		x3

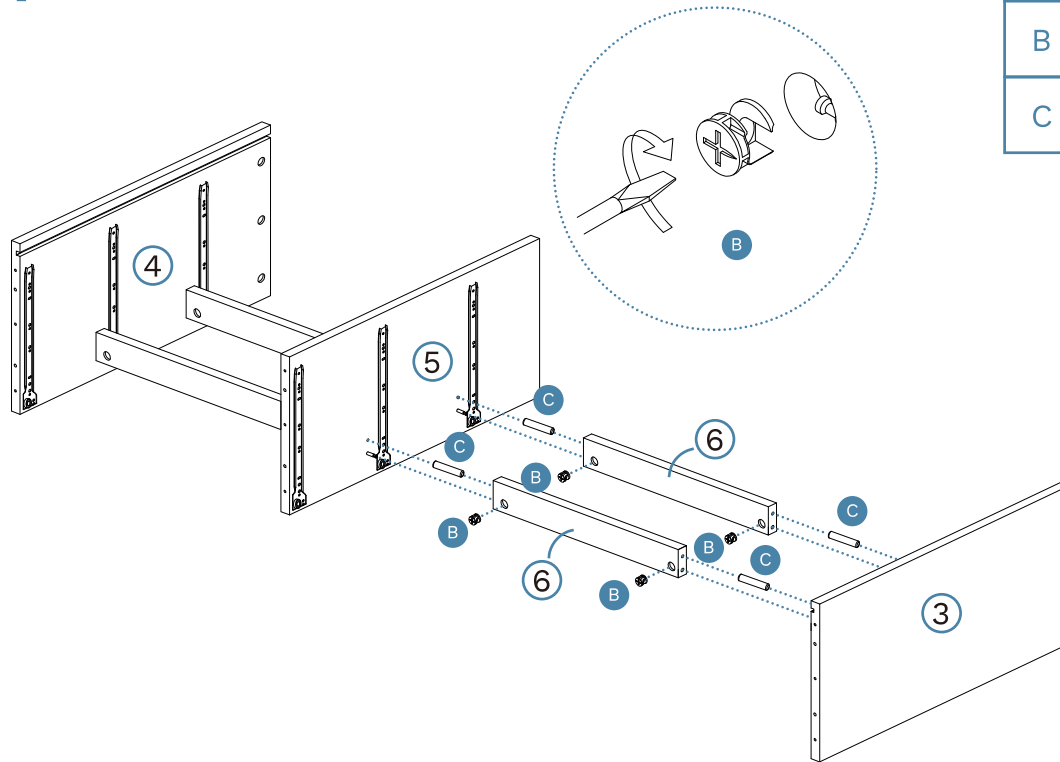
6



Hardware Needed		
B		x4
C		x4

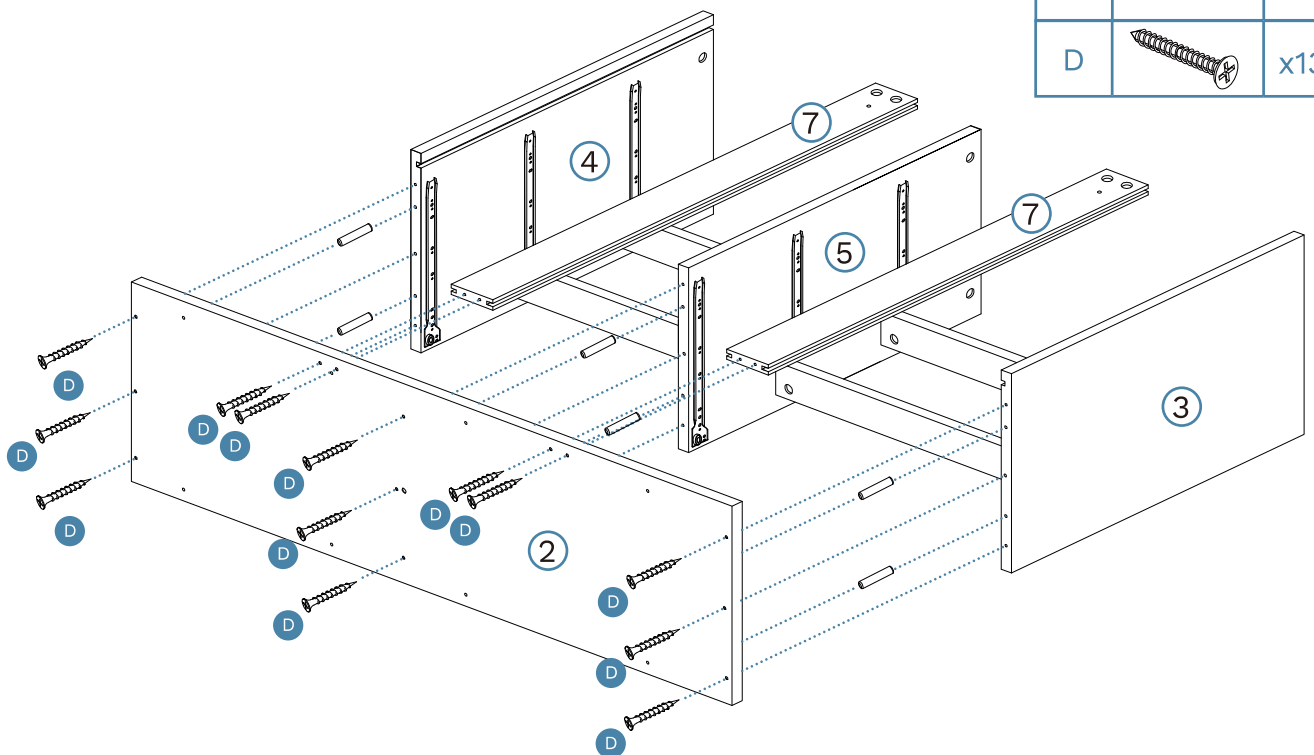
Genevieve Six Drawer

7



Hardware Needed		
B		x4
C		x4

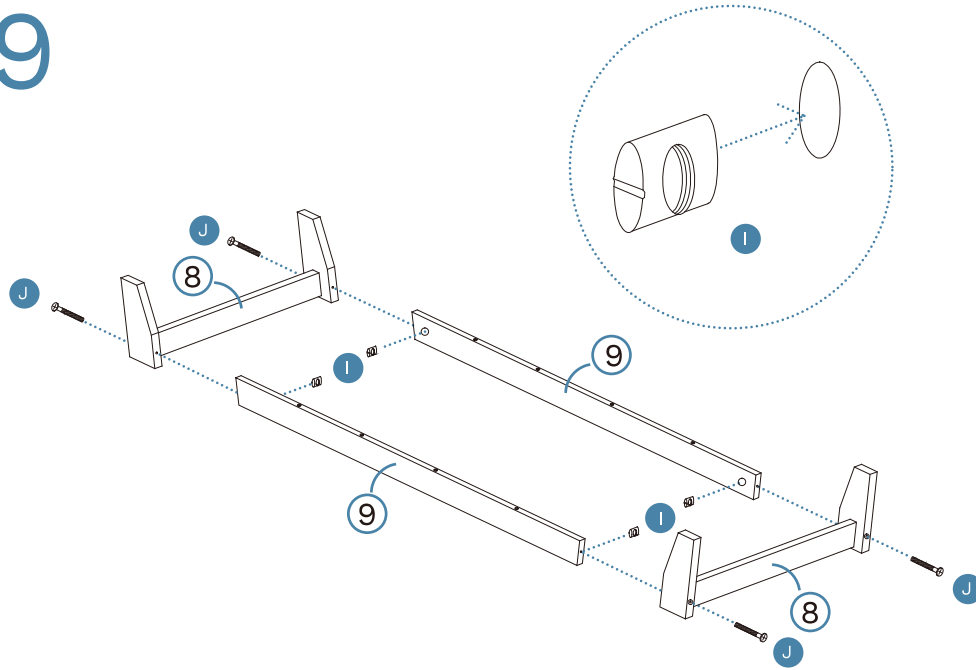
8





Hardware Needed		
C		x6
D		x13

Genevieve Six Drawer

9

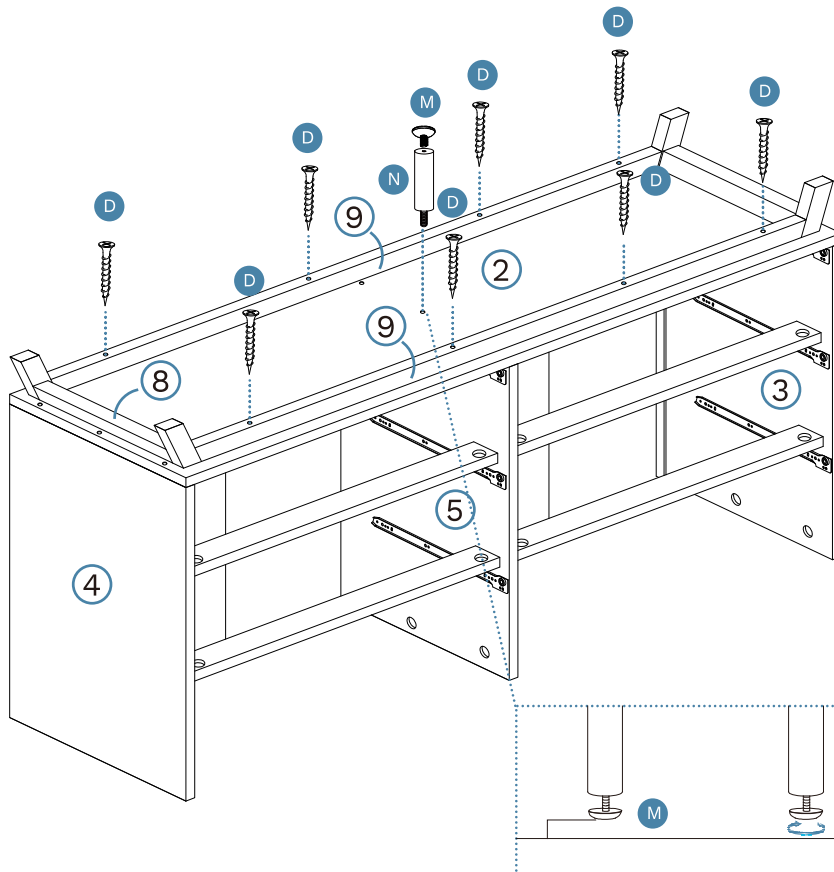


Hardware Needed


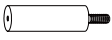

I		x4
J		x4

10

Carefully turn the cabinet the right way up whilst supporting the weight of the cabinet.



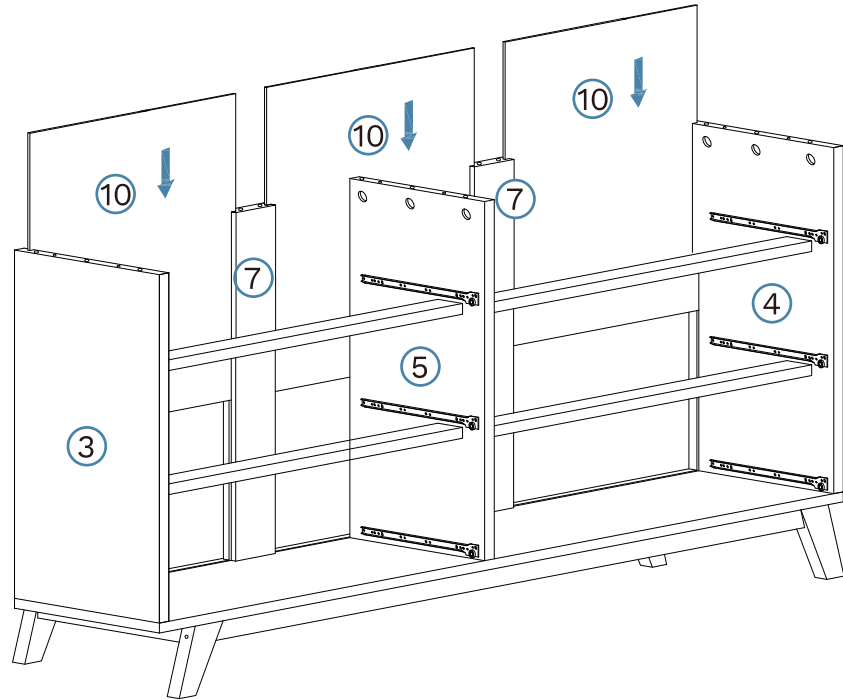
Hardware Needed

D		x8
N		x1
M		x1

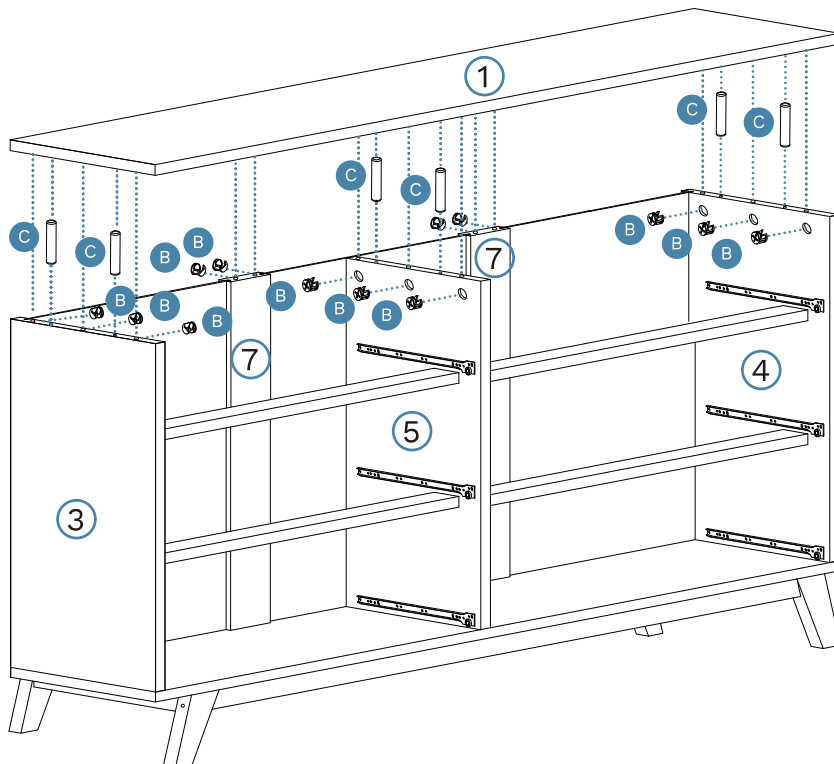
Genevieve Six Drawer


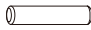
11

Carefully turn the cabinet the right way up whilst supporting the weight of the cabinet.



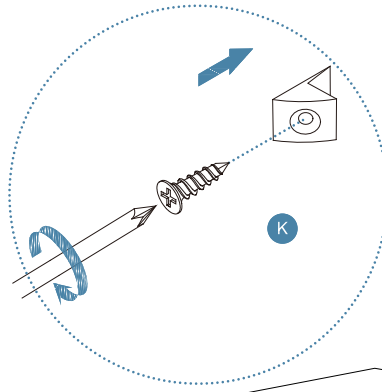
12






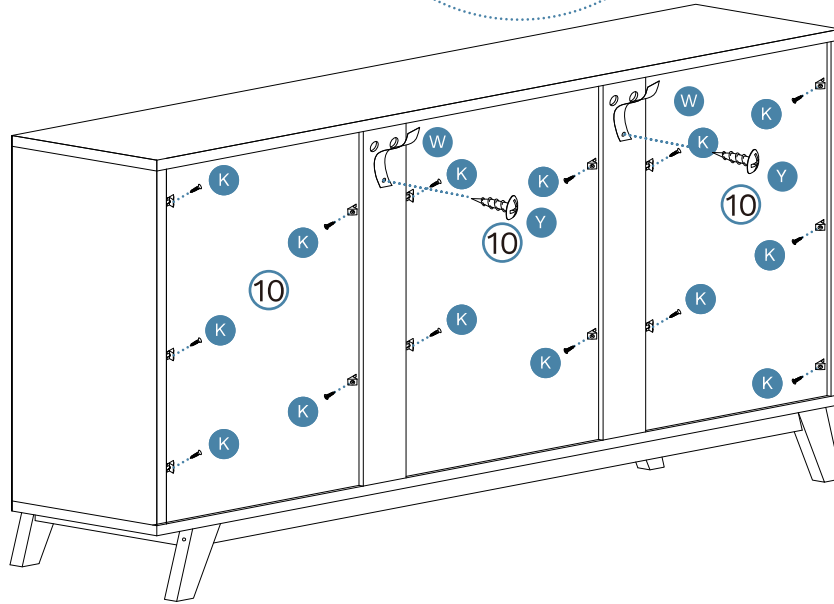
Hardware Needed		
B		x13
C		x6

Genevieve Six Drawer

13




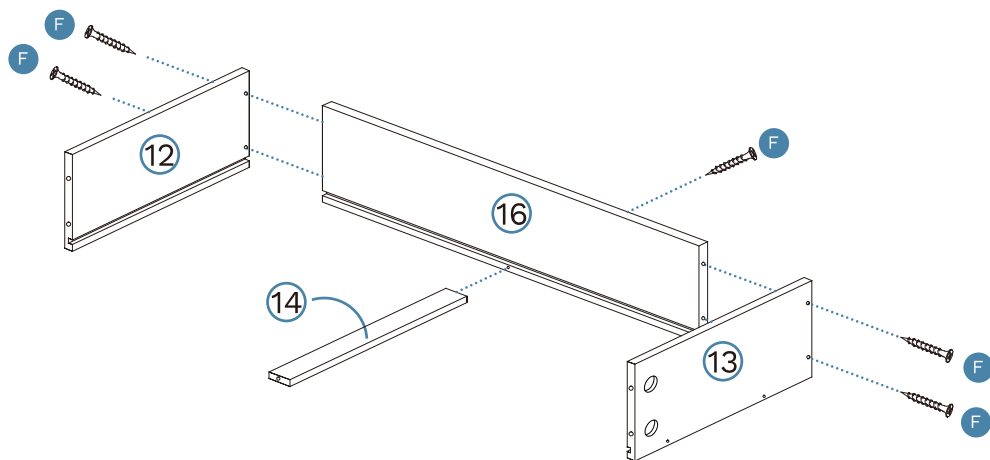
Hardware Needed		
J		x14
Y		x2
W		x2



14

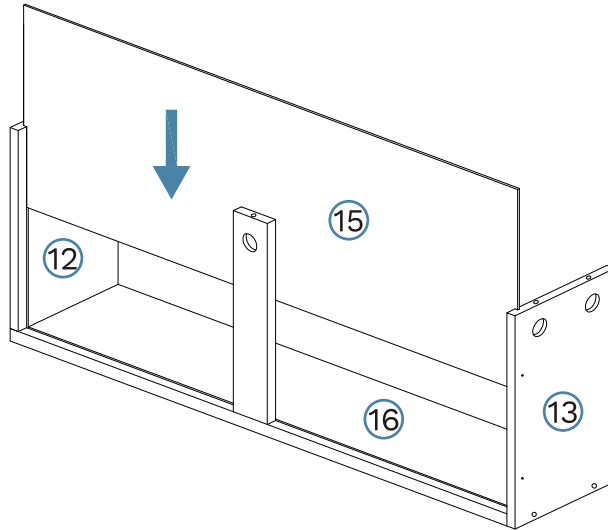
Drawers x 6

Hardware Needed		
F		x30

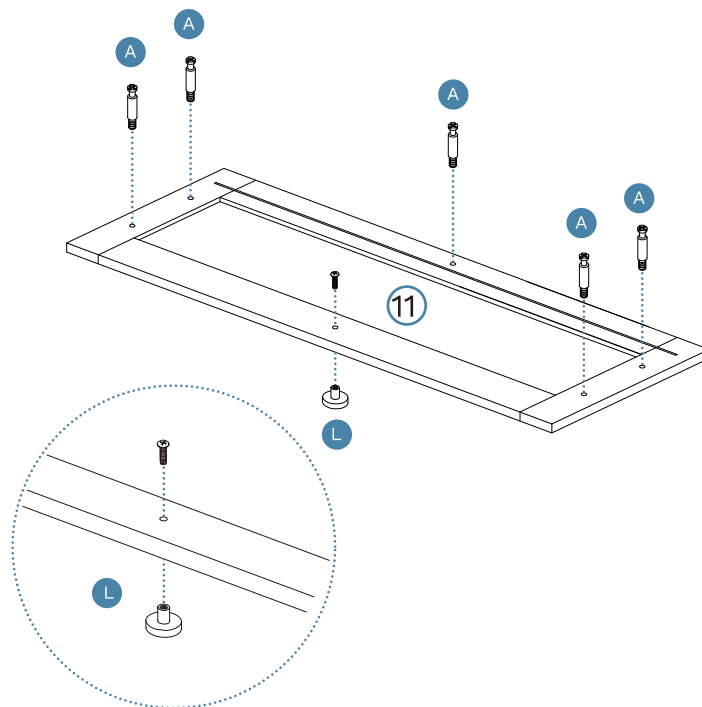


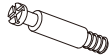
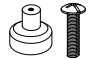
Genevieve Six Drawer

15 Drawers x 6



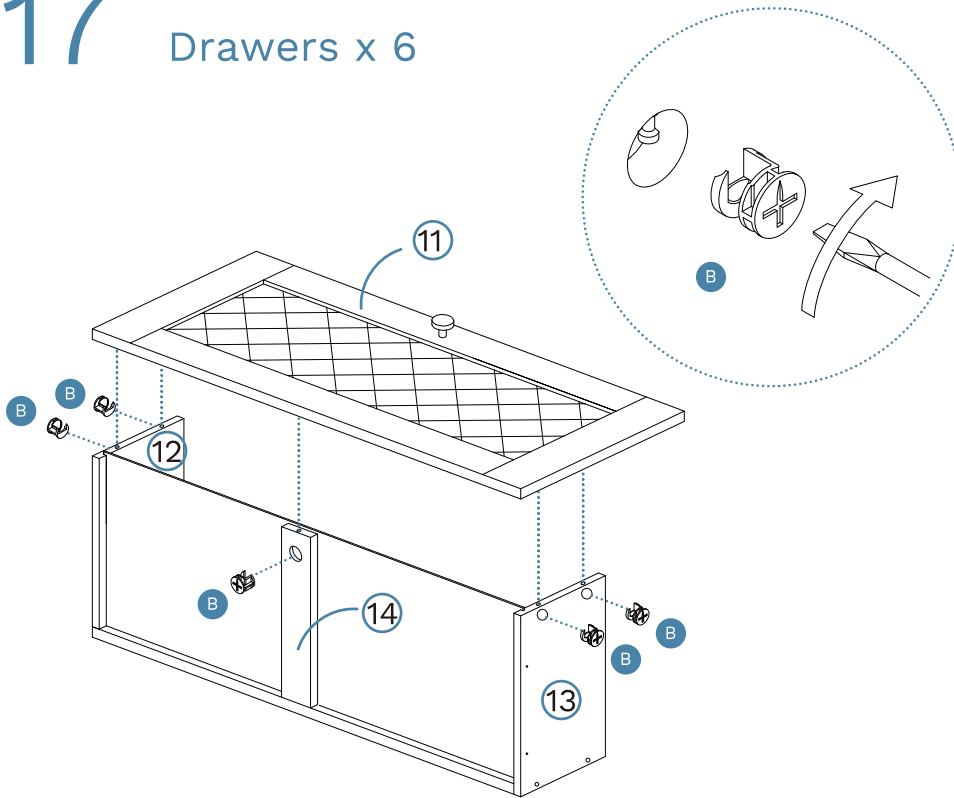
16 Drawers x 6




Hardware Needed		
A		x30
L		x6

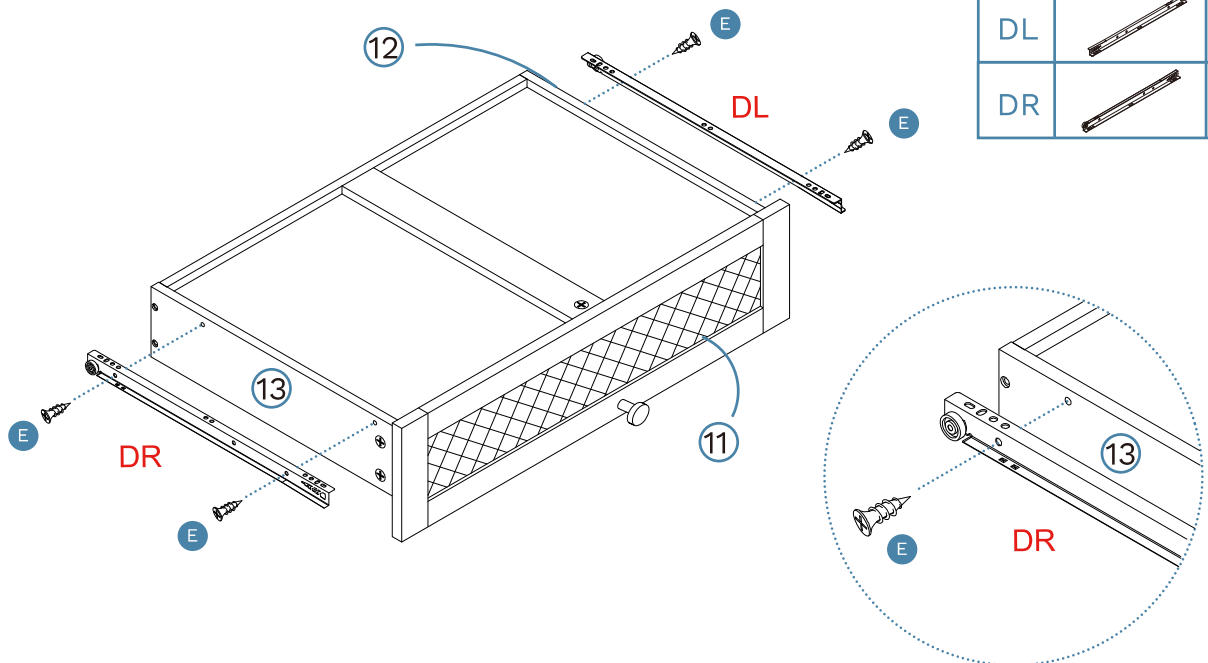
Genevieve Six Drawer




17 Drawers x 6



Hardware Needed		
B		x30

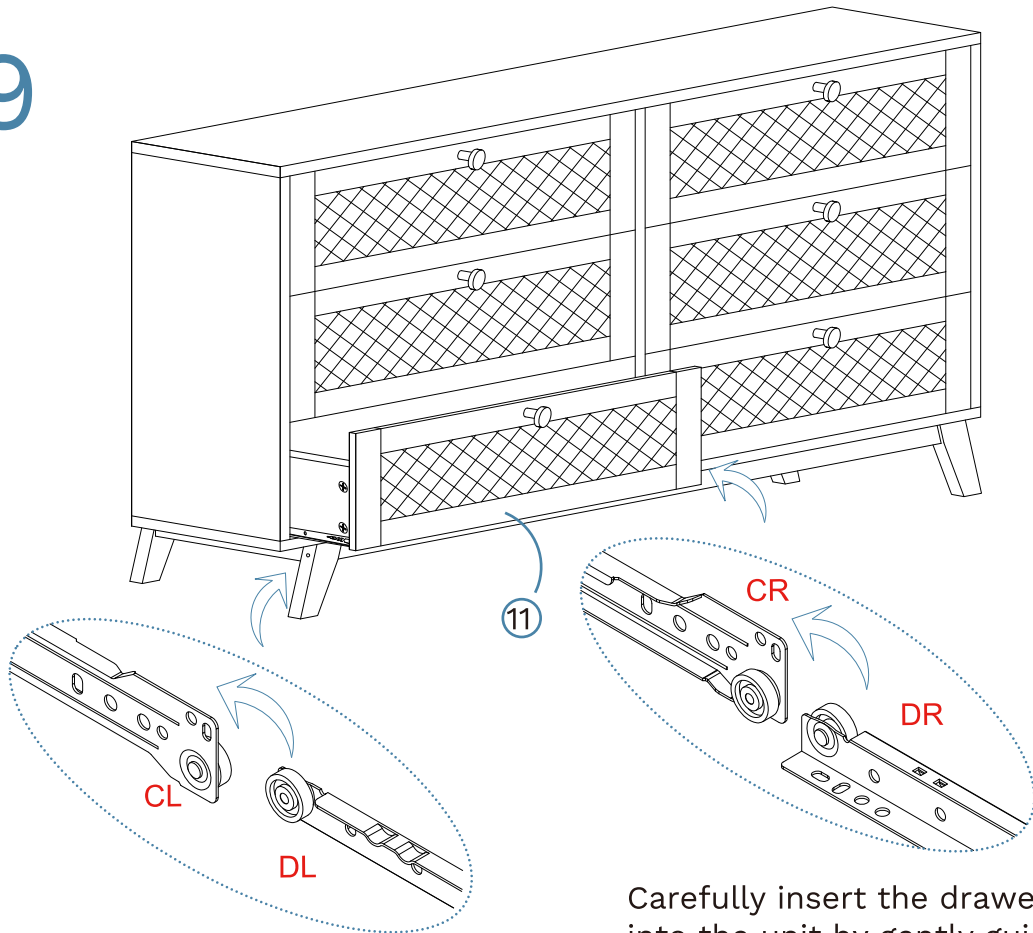
18 Drawers x 6



Hardware Needed		
E		x24
DL		x6
DR		x6

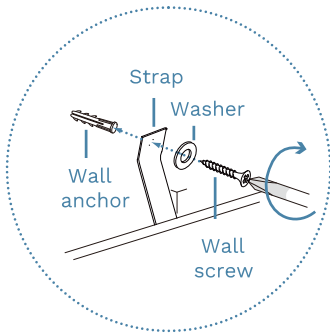
Genevieve Six Drawer

19






Carefully insert the drawers into the unit by gently guiding the runners into the tracks.

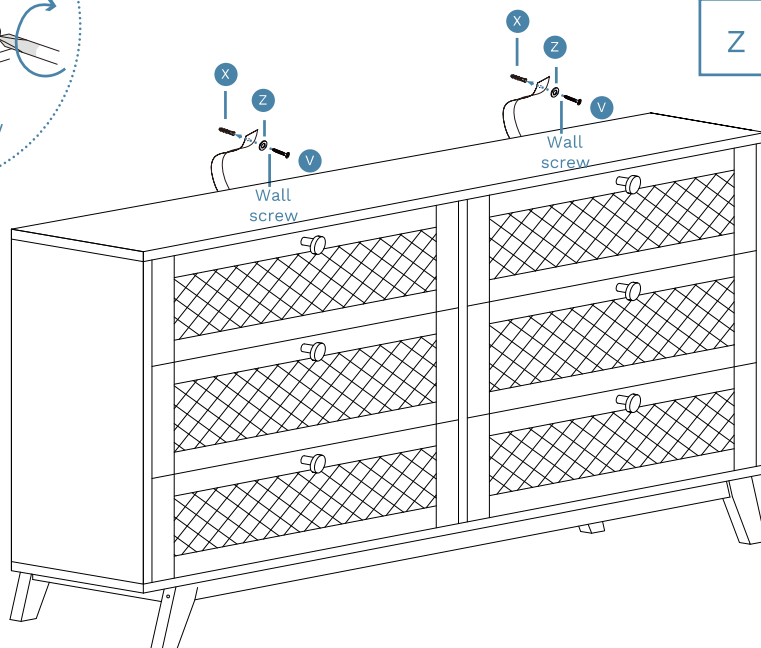
20



Note: Seek advice from a qualified trades person on how to attach this safety strap to your specific wall. Once assembled lift furniture into place, do not drag.

Hardware Needed

X		x2
V		x2
Z		x2





Love it for longer.

Remove all liquid and food spills immediately ONLY with a clean, damp, undyed white cloth.
Do NOT use abrasives or common household detergents.



Caring for our world.

In the interest of our environment, please dispose of all packaging thoughtfully.



Good news, you're all done!

Love it and share it on Instagram by tagging

 @mockaaustralia | @mockanz