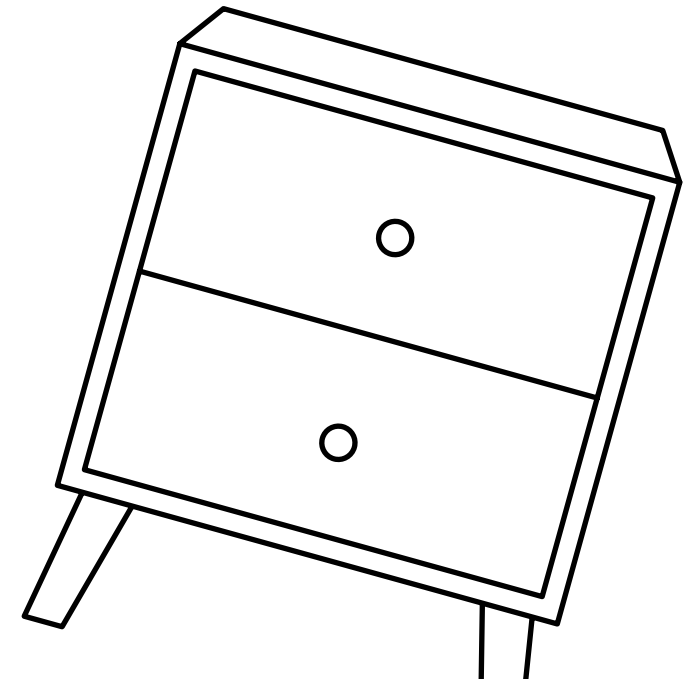
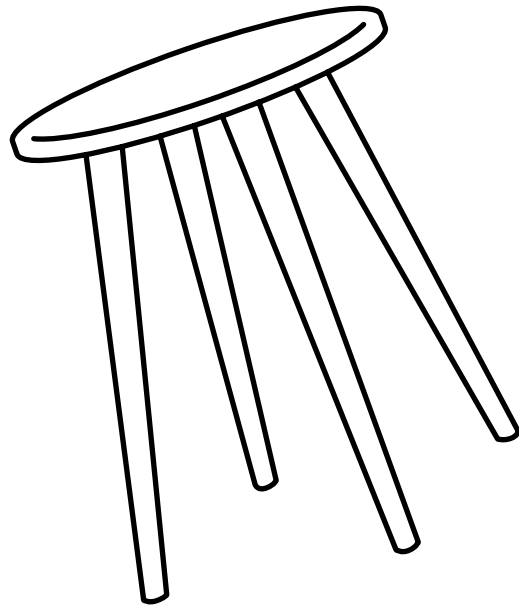


**Hello,
I've arrived!**

Now that I'm here you are only one
flat-pack away from transforming
your home.



Mocka.

Thank you for supporting us.

We believe design belongs to everyone. From materials and processes to safety testing, production and delivery, we are passionate and committed to bringing you the best possible product so you can create beautifully functional spaces to feel comfortably you.

Here are a few assembly tips before you get started:



Make Time

The first step to all seamless assembly is taking a moment to carefully read through the instructions—you are already on your way to creating a beautifully functional space!



Set The Mood

Put on your favourite playlist, order that pizza and pour yourself a drink to get in the mood!



Tool Check

Layout the instructions, screws and panels to check you have everything you need. A blanket or soft floor rug will help protect your new favourite item from scratches and a drill will speed up the assembly too!



Room Reveal

You did it! Take a step back and enjoy the moment. Don't forget to recycle any packaging and share a pic of your room reveal—we love seeing how you transform your home! **Tag us @mockaaustralia/@mockaanz**

Happy flat-packing!

the Mocka Team

Need help? Our Support Team are available via live chat, email or phone. Visit our website for details.

AUSTRALIA

+61 7 3184 8466

Our phone lines are available weekdays 9am to 5pm AEST



NEW ZEALAND

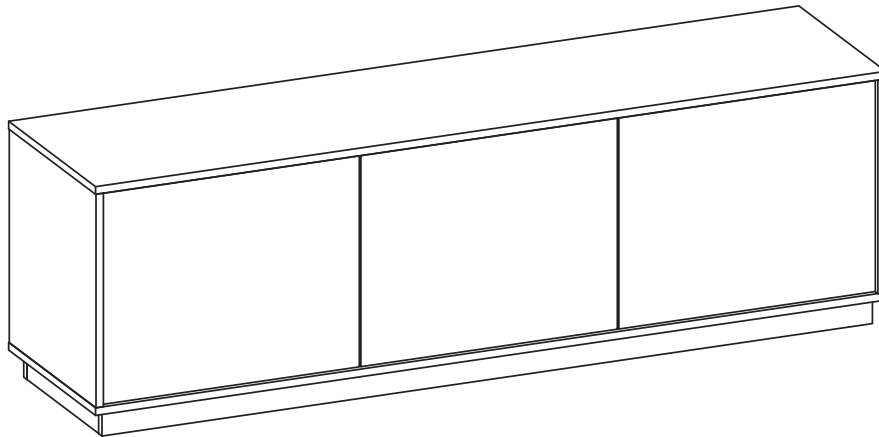
+64 3 384 1858

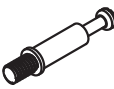

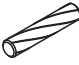

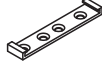
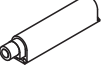
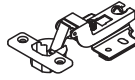






Our phone lines are available weekdays 9am to 5pm NZT

Avoca

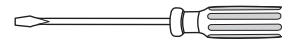
Entertainment Unit

Thank you for your purchase. Please follow the instructions for correct assembly. While we took great effort to ensure these assembly instructions were correct at the time of printing, sometimes updates are required post production. For the most up to date versions please refer to the product page on our website. mocka.com.au/mocka.co.nz



A  34x bolt	B  34x nut	C  24x dowel	D  10x screw
E  3x clip	F  3x spacer	G  4x hinge	H  2x hinge
I  36x screw	J  14x bracket	K  14x screw	L  12x support
			M  6x screw

HARDWARE SUPPLIED



Phillips & Flathead screwdrivers required.

For quicker assembly, we recommend the use of a power drill on a low-speed setting.

WARNING

Children have died from furniture toppling over.

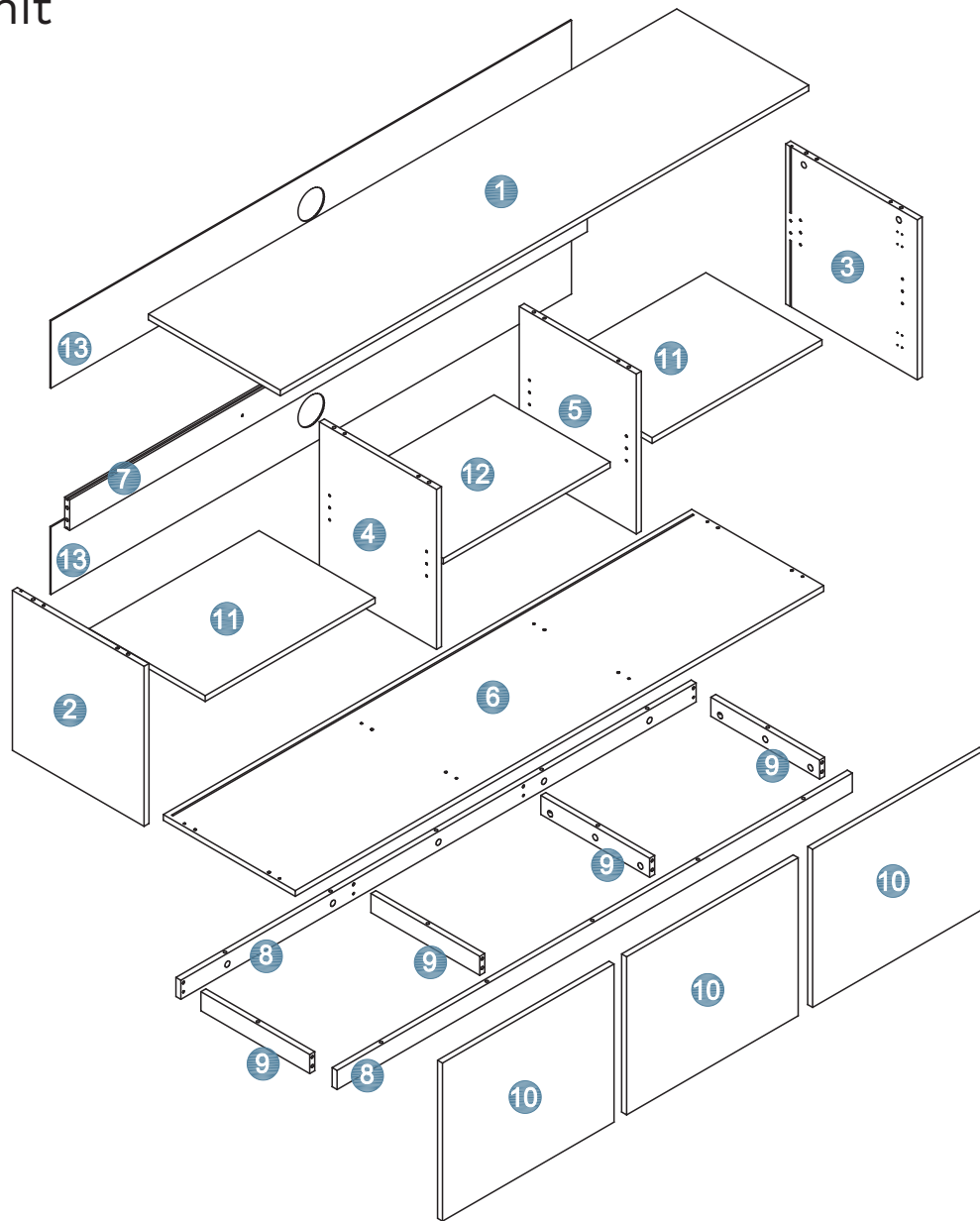
- **ALWAYS** secure this furniture with an anchor device.
- **NEVER** allow children to stand, climb or hang on drawers, doors or shelves.
- **ALWAYS** secure your television with an anchor device



WARNING: Any furniture that is not anchored to a wall has the potential to tip over in certain circumstances, i.e. if a child attempts to climb up on the furniture or in the event of an earthquake. Accordingly, we recommend that all furniture is anchored to a wall. We supply a free safety wall anchor with all furniture sold and we recommend these are used to prevent your product tipping. The fixing device provided should fit most wall types, but please note that different wall materials may require different fixing devices from those supplied.

Avoca

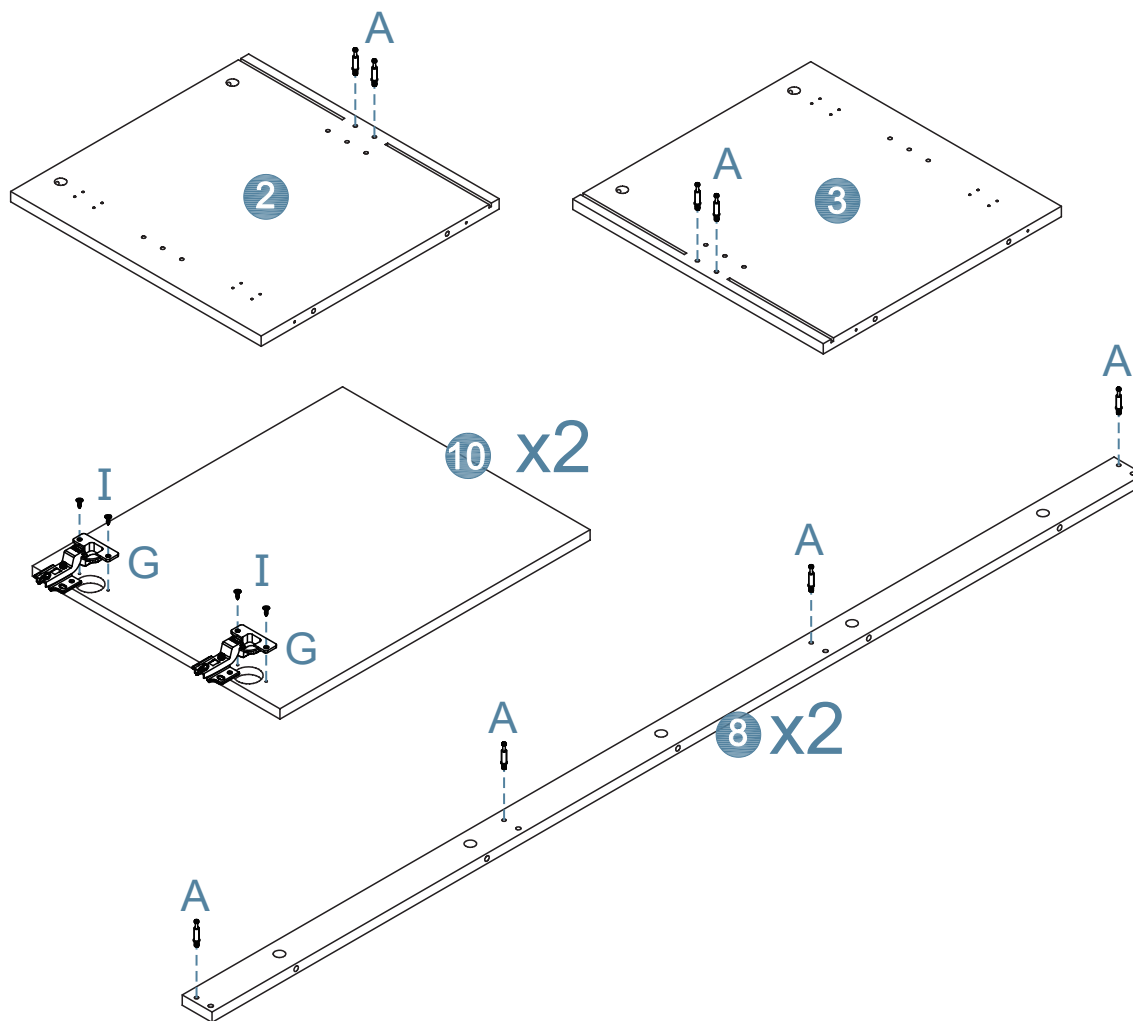
Entertainment Unit

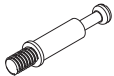




Avoca

Entertainment Unit

1 *please assemble it on a rug or other soft surface to avoid marking.

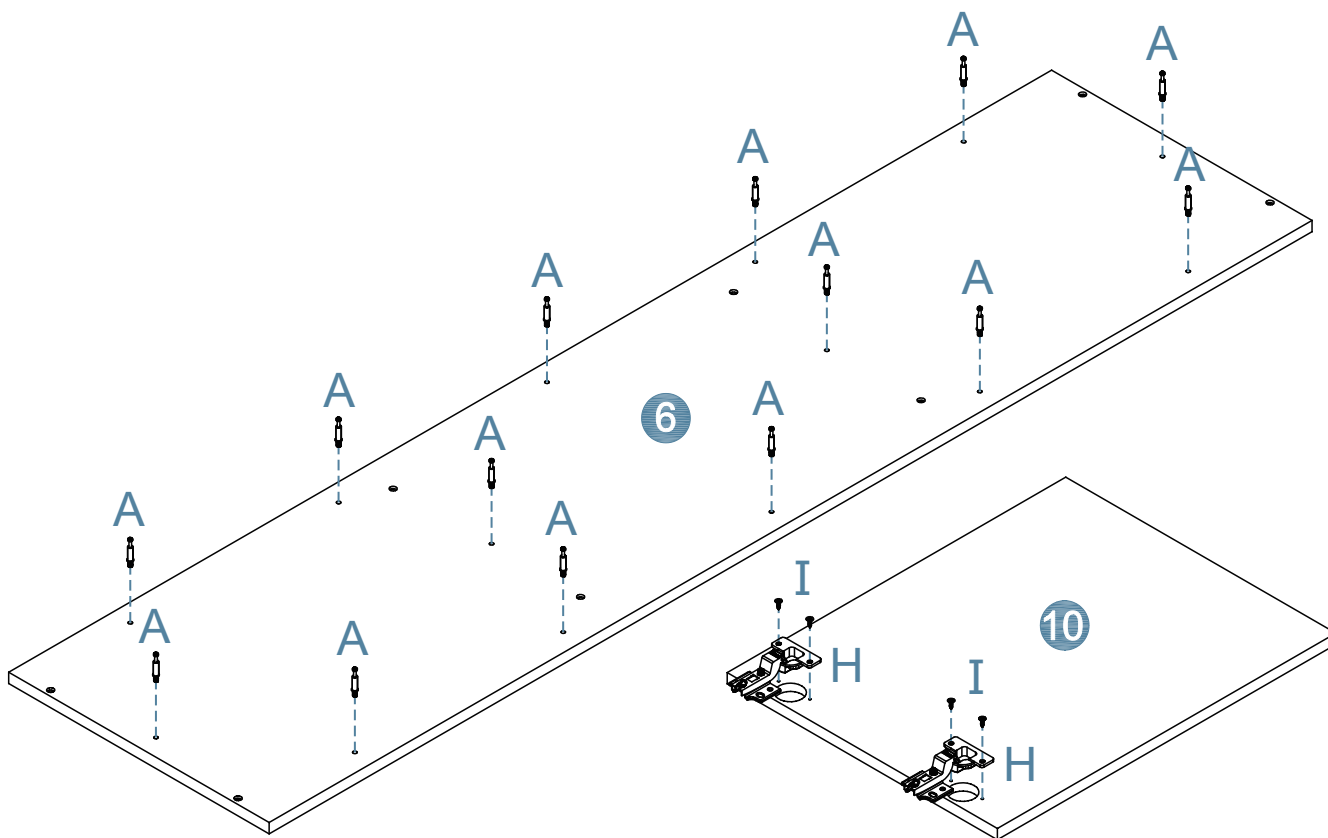


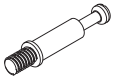


Hardware Needed		
A		x12
G		x4
I		x8

Avoca

Entertainment Unit

2

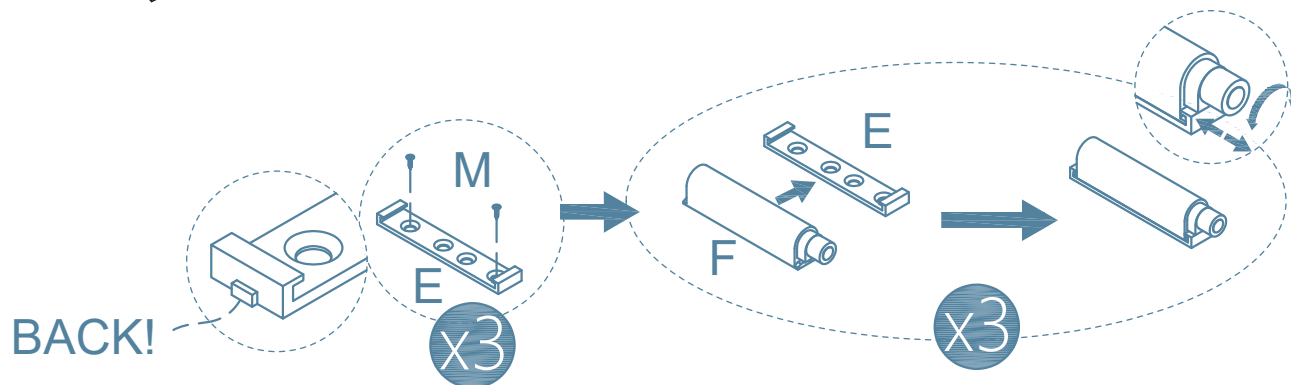
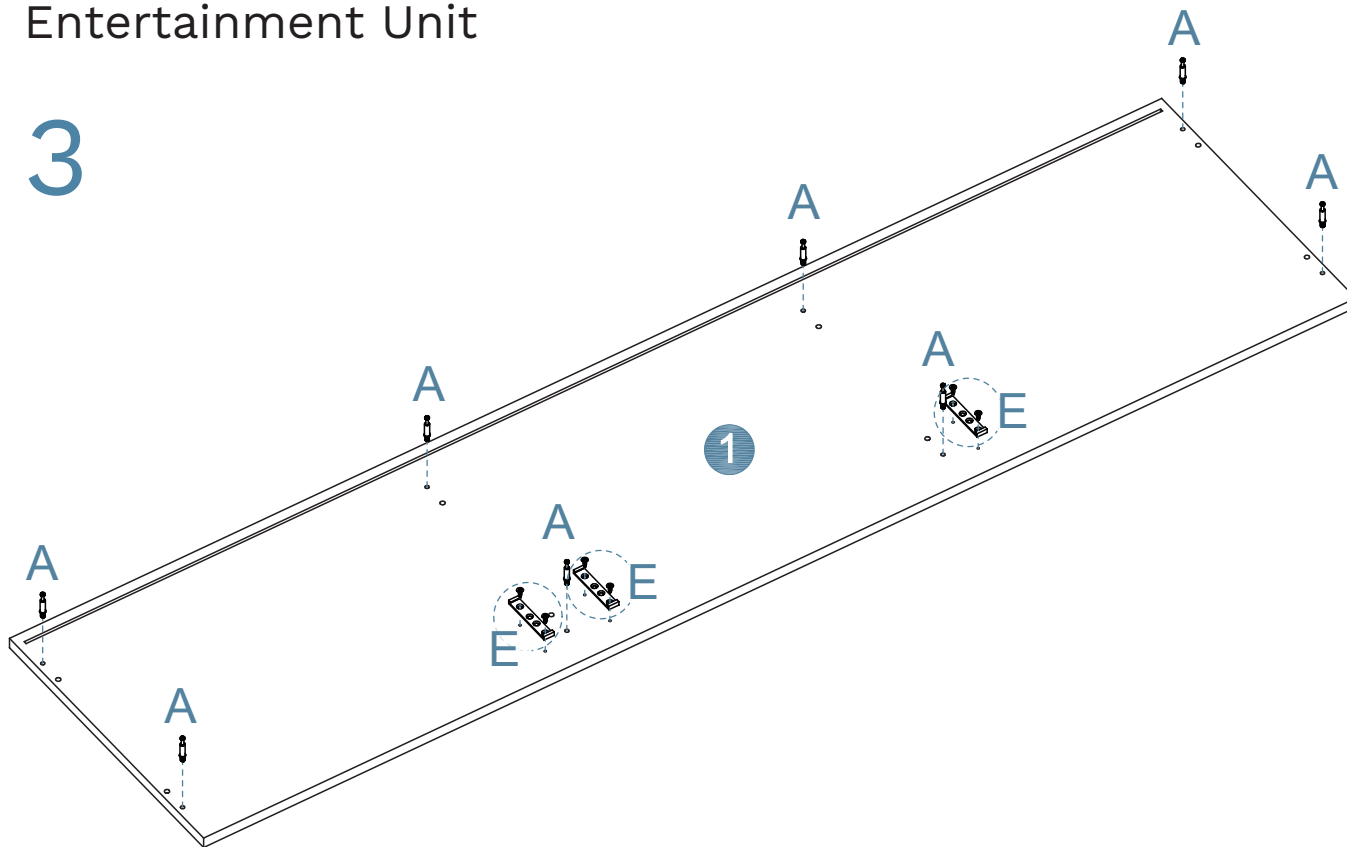


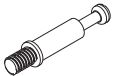
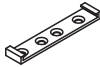
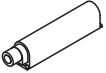

Hardware Needed		
A		x14
H		x2
I		x4

Avoca

Entertainment Unit

3



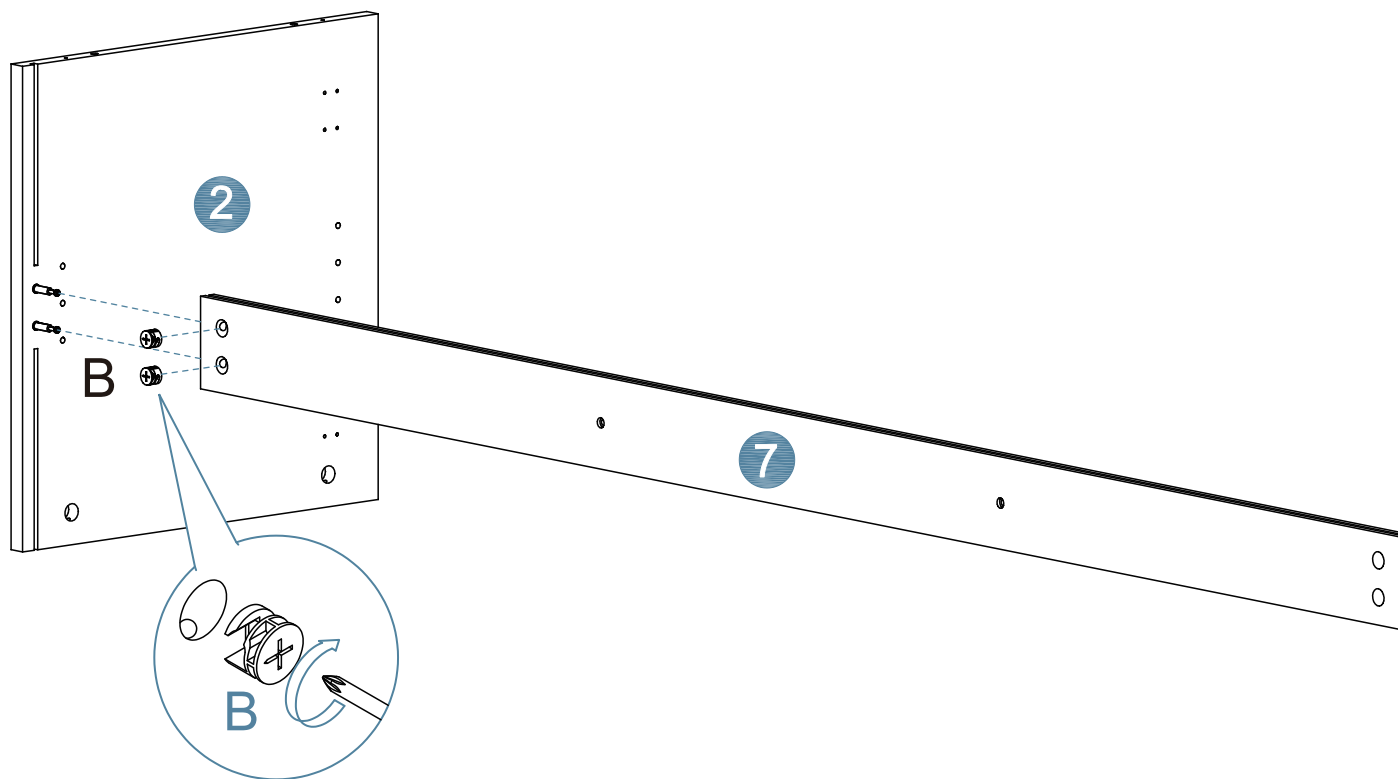
Hardware Needed		
A		x8
E		x3
F		x3
M		x6

Avoca

Entertainment Unit

4


Hardware Needed		
B		x2

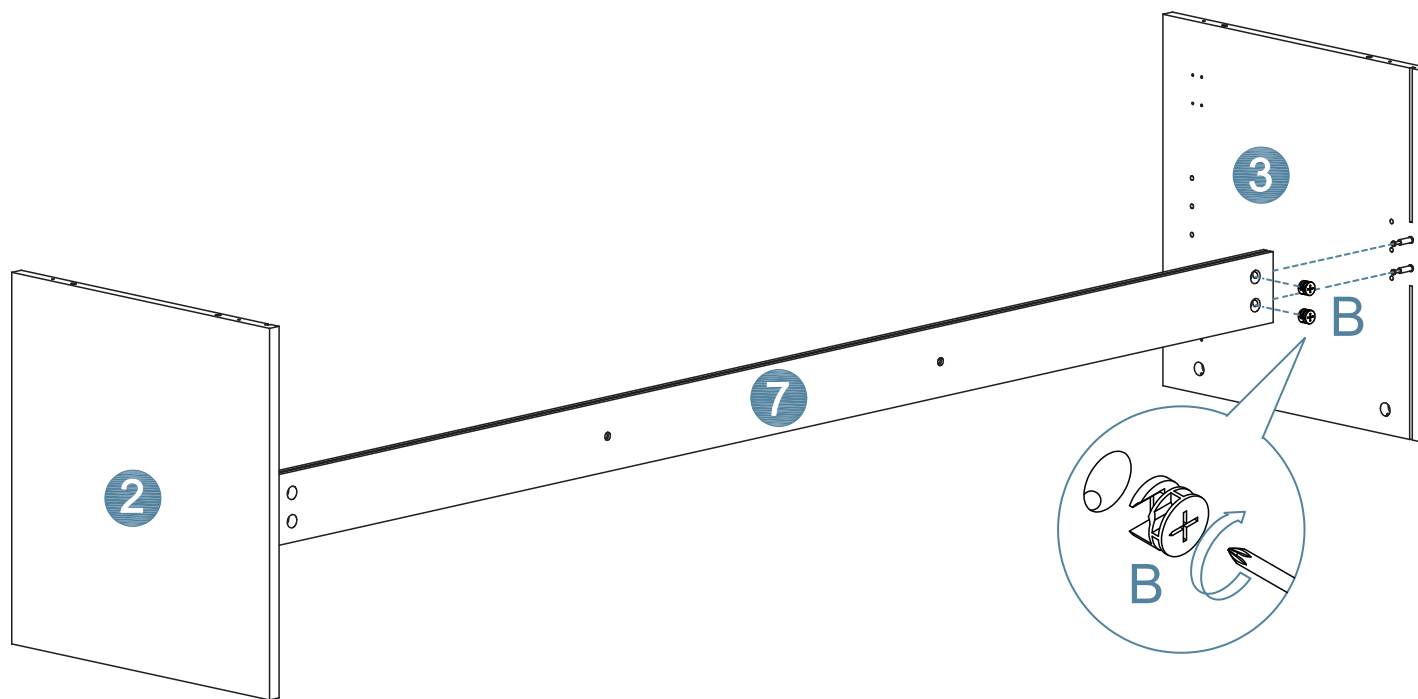


Avoca

Entertainment Unit

5

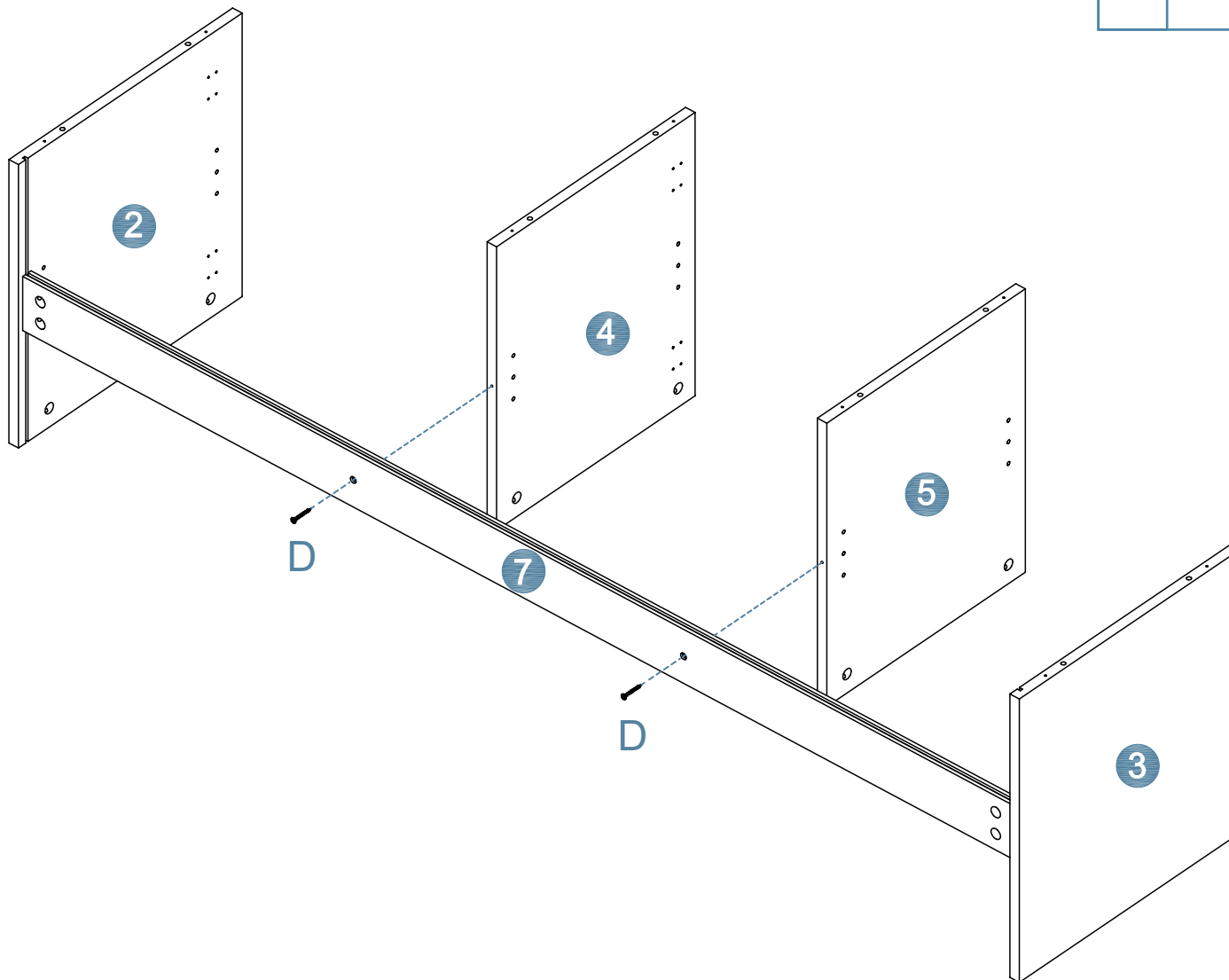
Hardware Needed		
B		x2




Avoca

Entertainment Unit

6

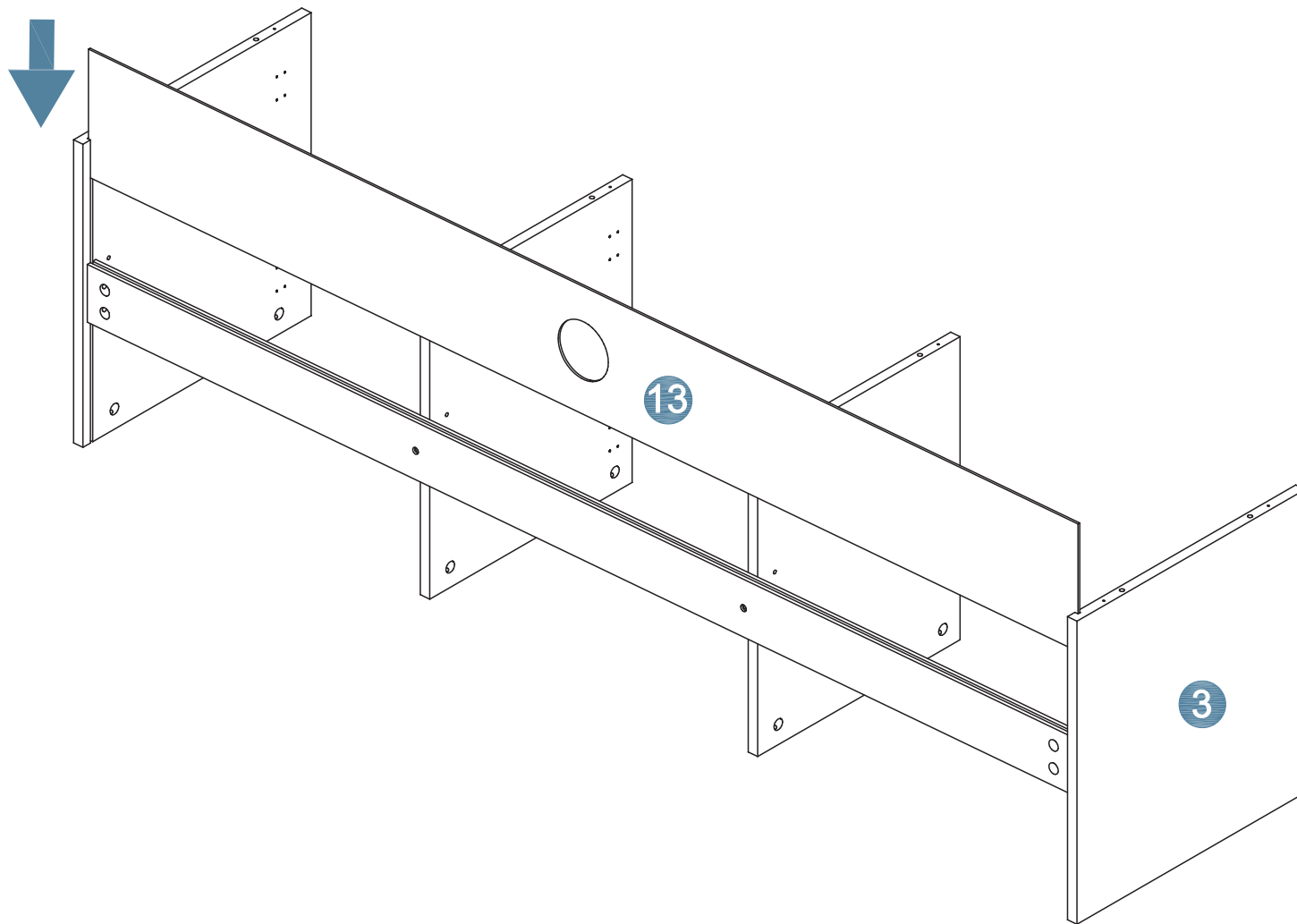


Hardware Needed		
D		x2

Avoca

Entertainment Unit

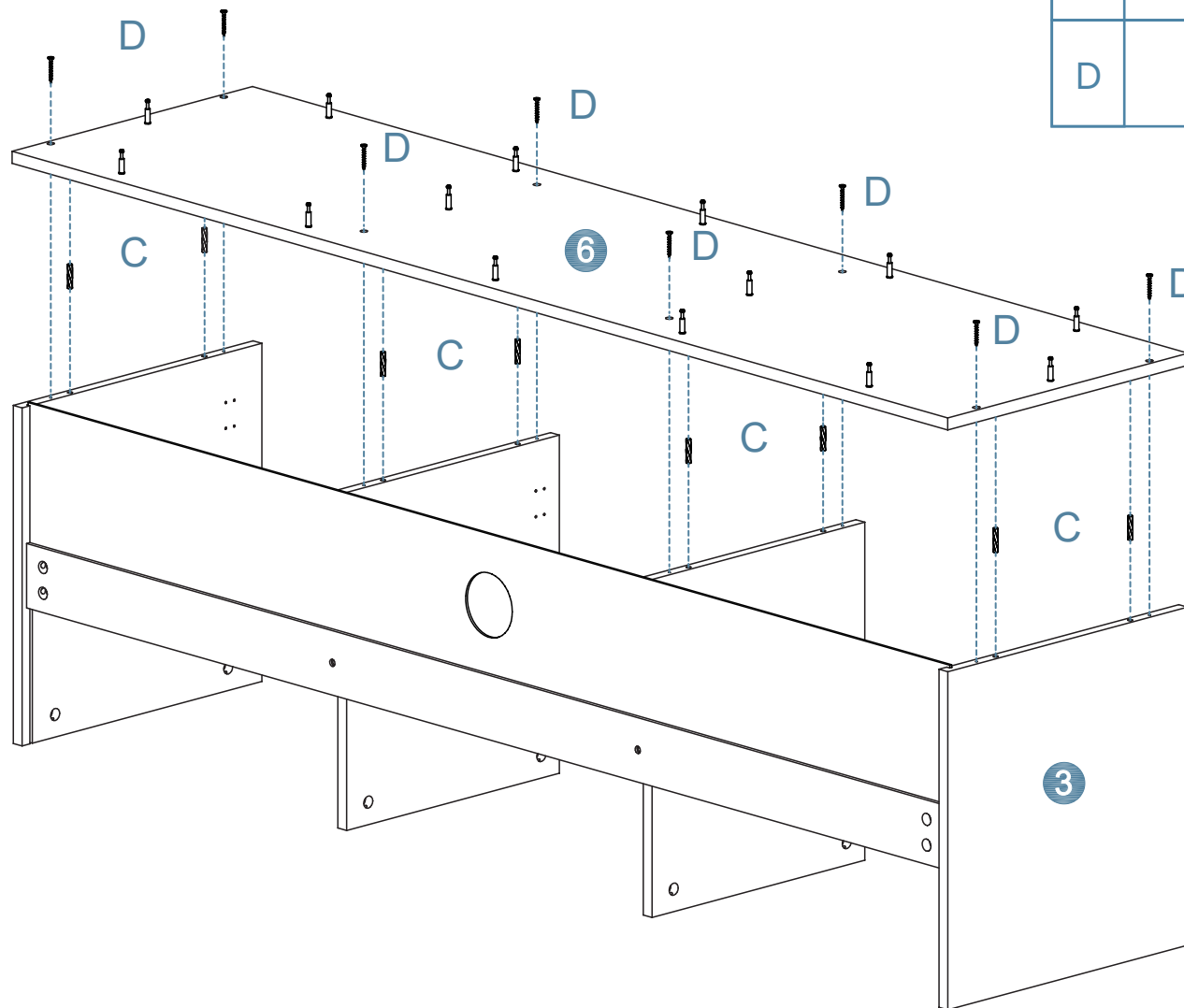
7

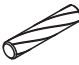



Avoca

Entertainment Unit

8

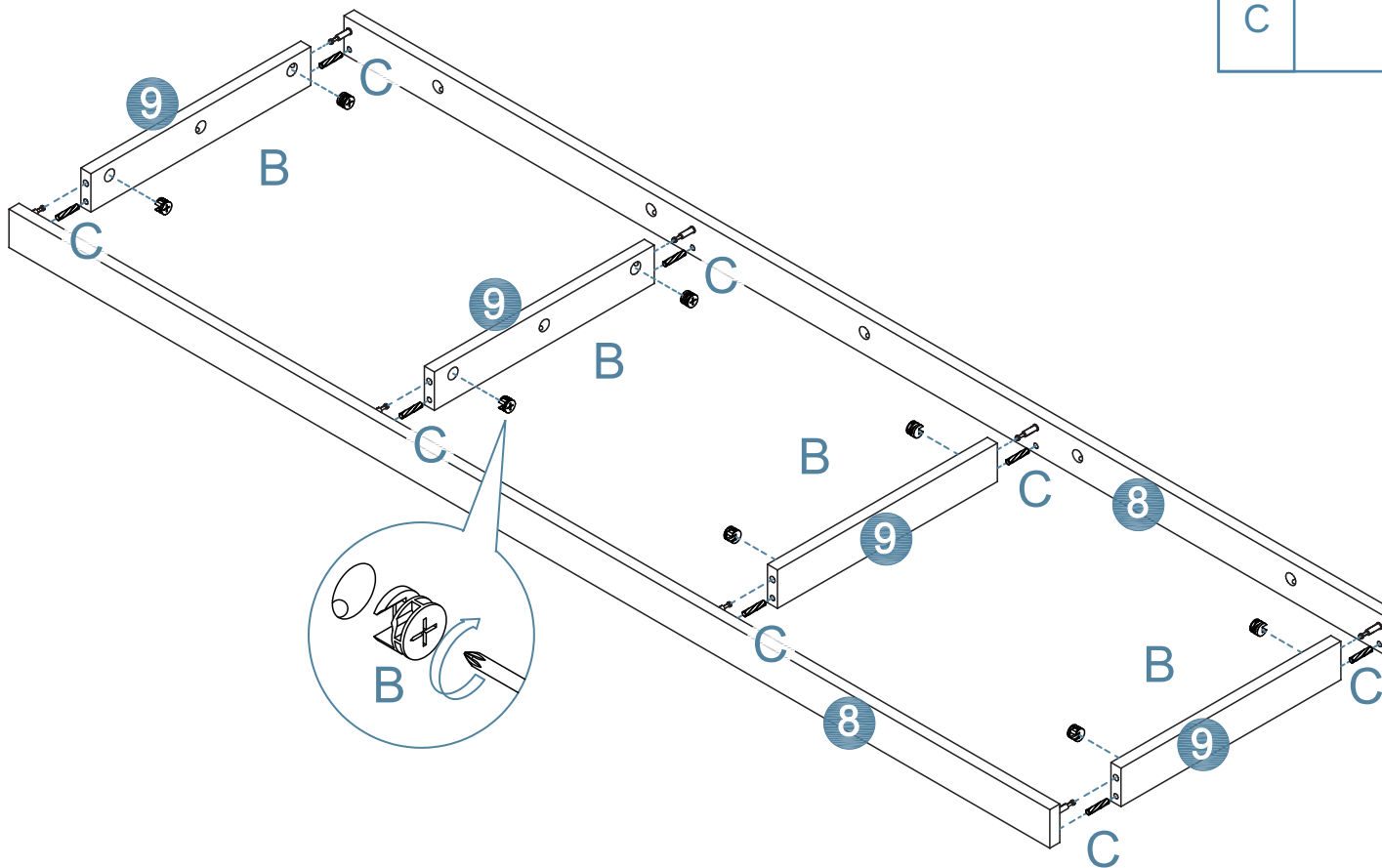




Hardware Needed		
C		x8
D		x8

Avoca

Entertainment Unit

9



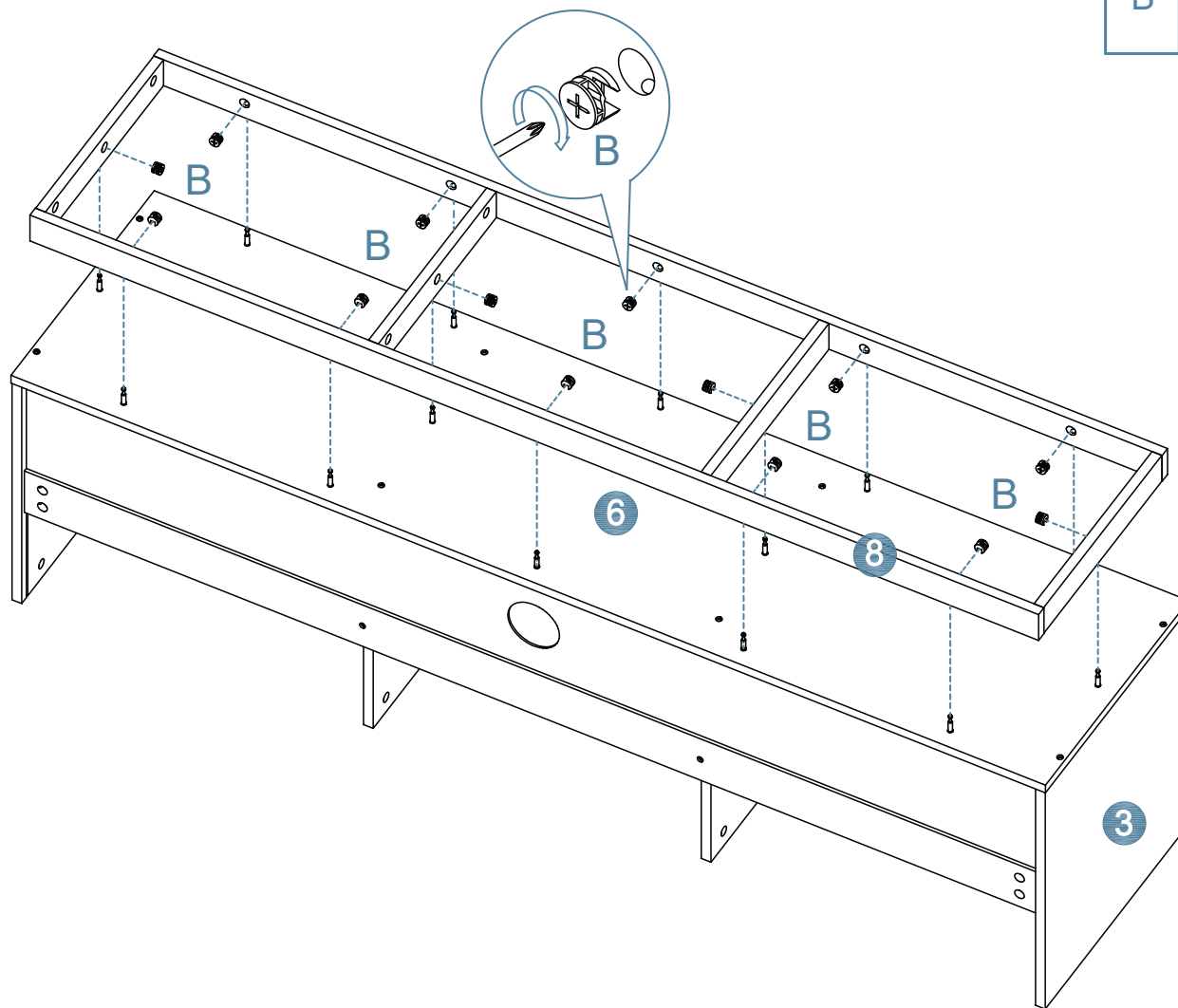
Hardware Needed		
B		x8
C		x8

Avoca

Entertainment Unit

10

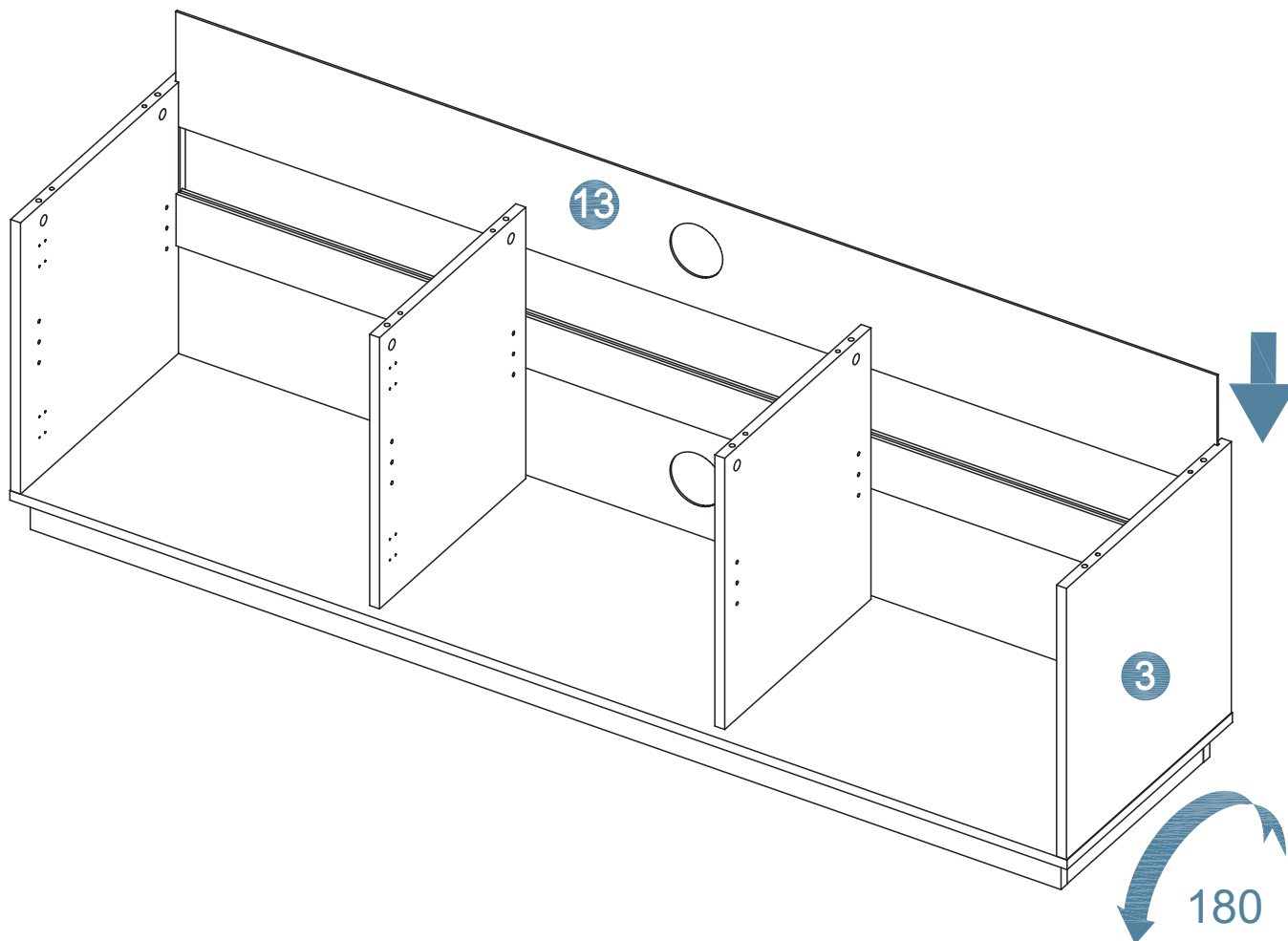
Hardware Needed		
B		x14



Avoca

Entertainment Unit



11

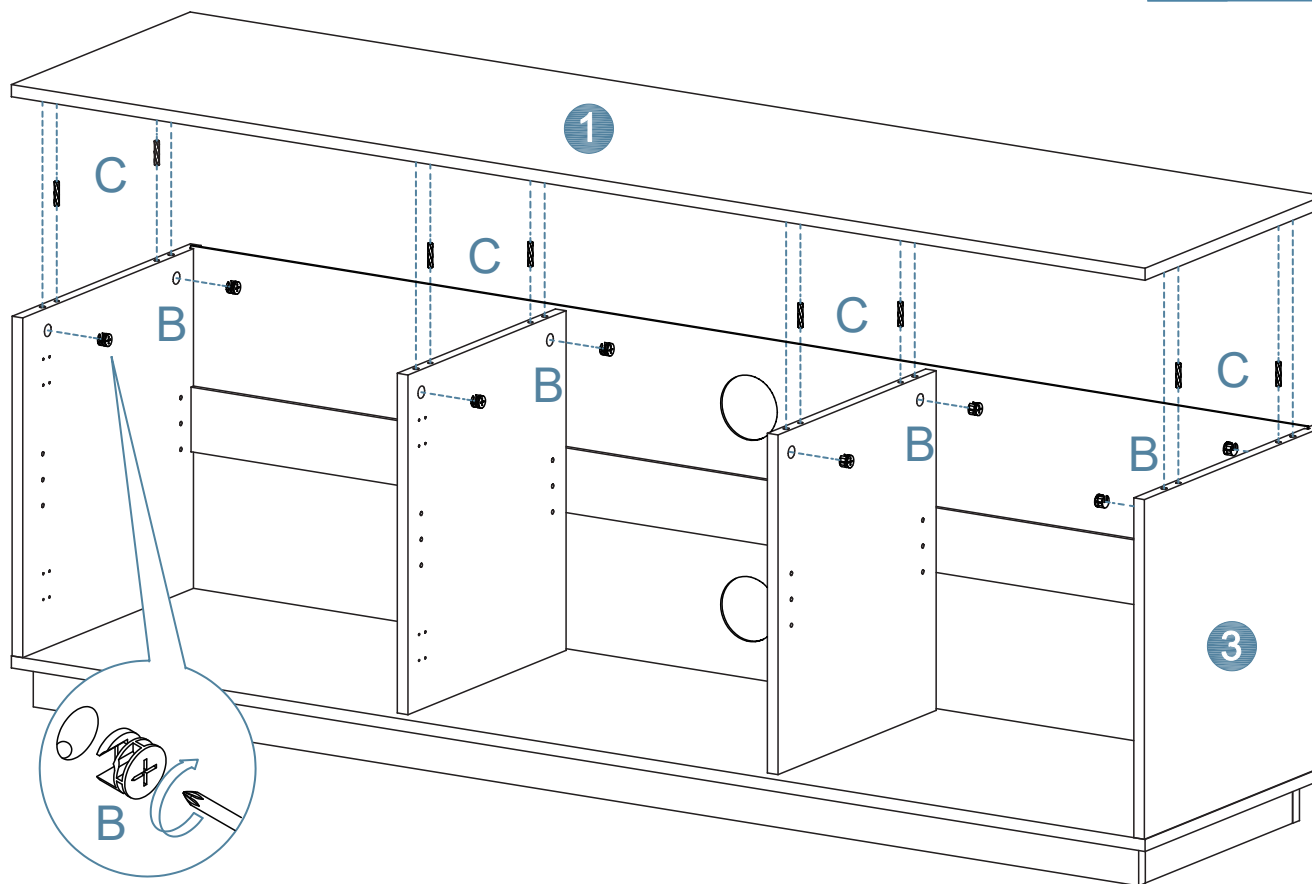


Avoca

Entertainment Unit

12



Hardware Needed		
B		x8
C		x8

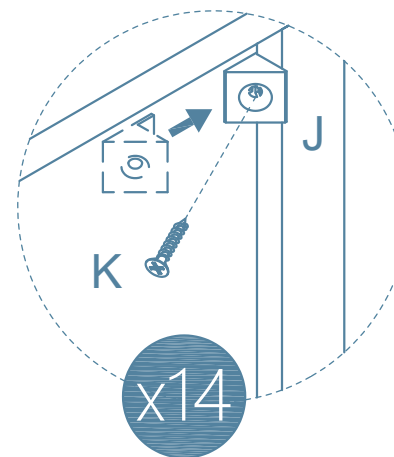
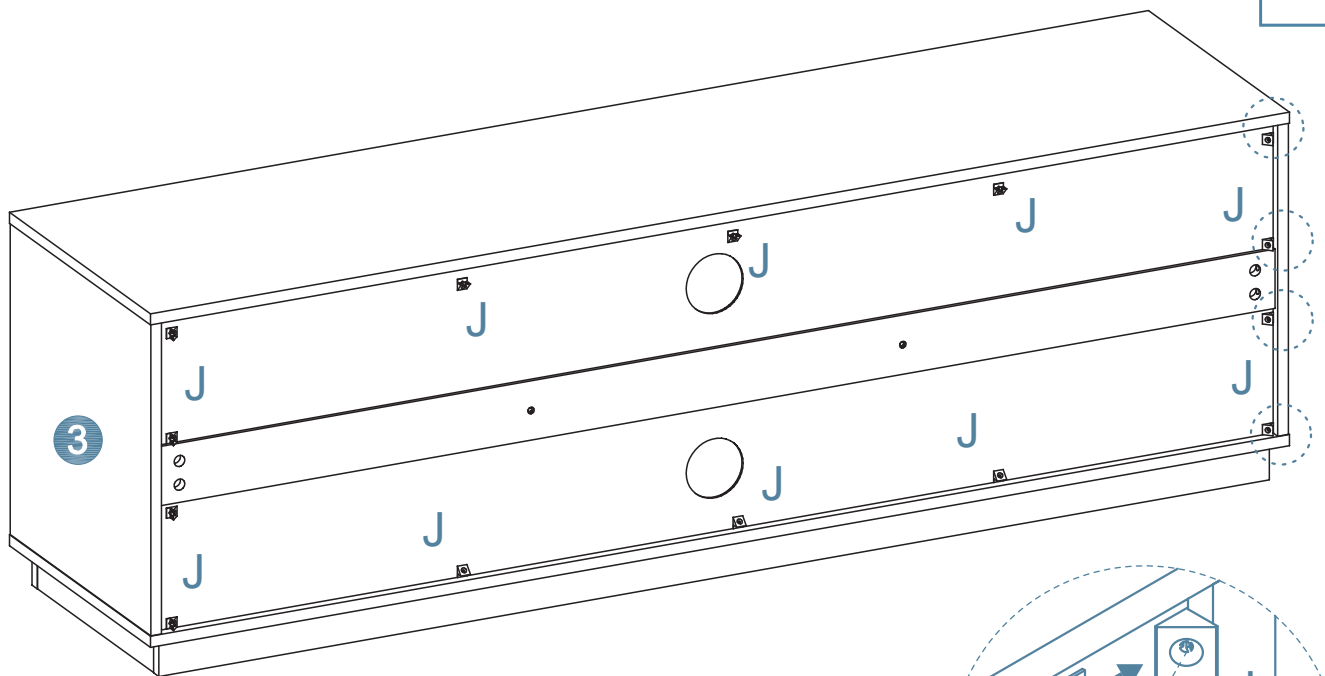


Avoca

Entertainment Unit

13

Hardware Needed		
J		x14
K		x14

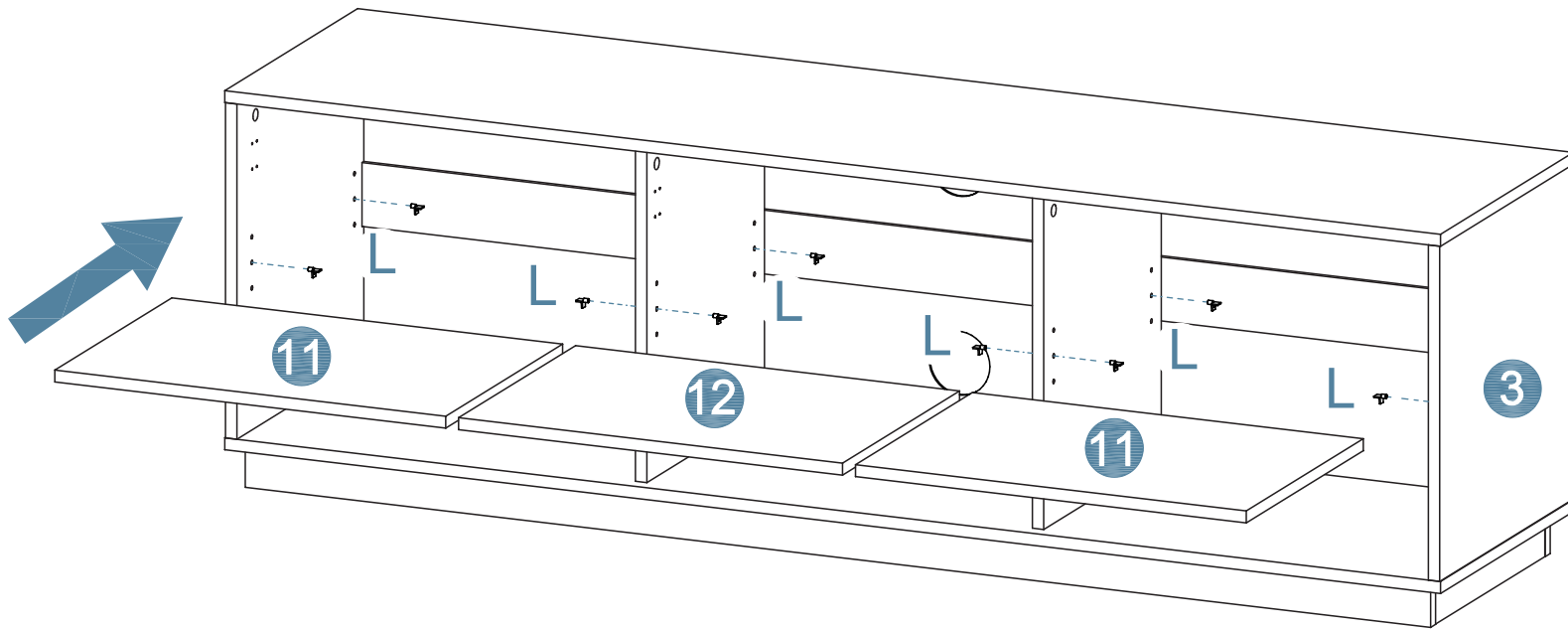


Avoca

Entertainment Unit

14

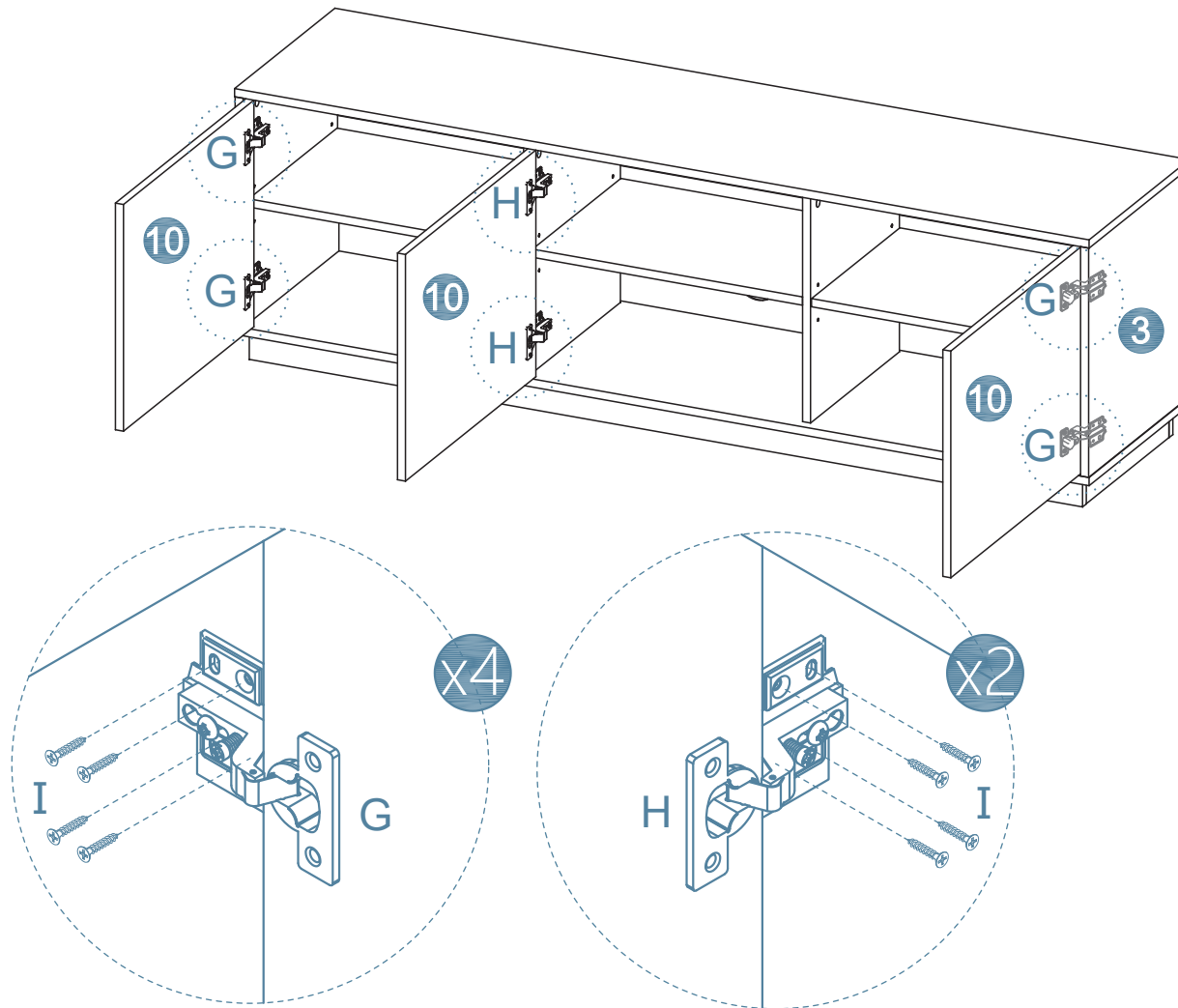
Hardware Needed		
L		x12




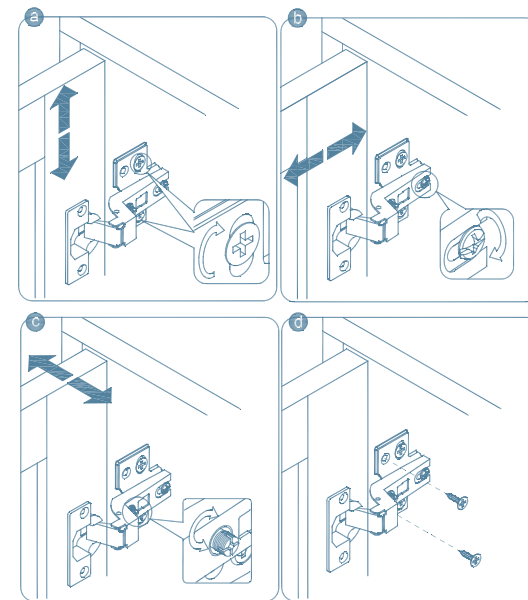
Avoca

Entertainment Unit

15



Hardware Needed		
I		x24





Love it for longer.

Remove all liquid and food spills immediately ONLY with a clean, damp, undyed white cloth.
Do NOT use abrasives or common household detergents.



Caring for our world.

In the interest of our environment, please dispose of all packaging thoughtfully.



Good news, you're all done!

Love it and share it on Instagram by tagging

 [@mockaaustralia](#) | [@mockanz](#)