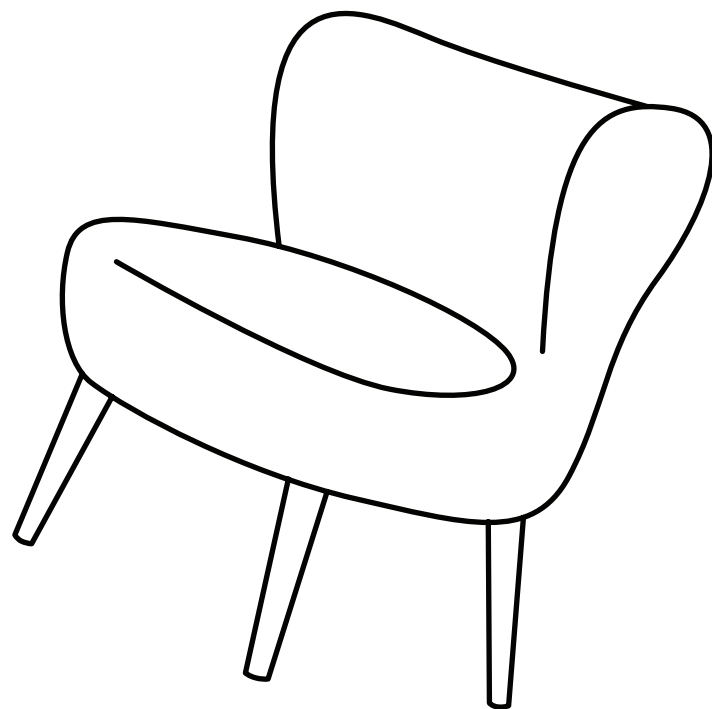
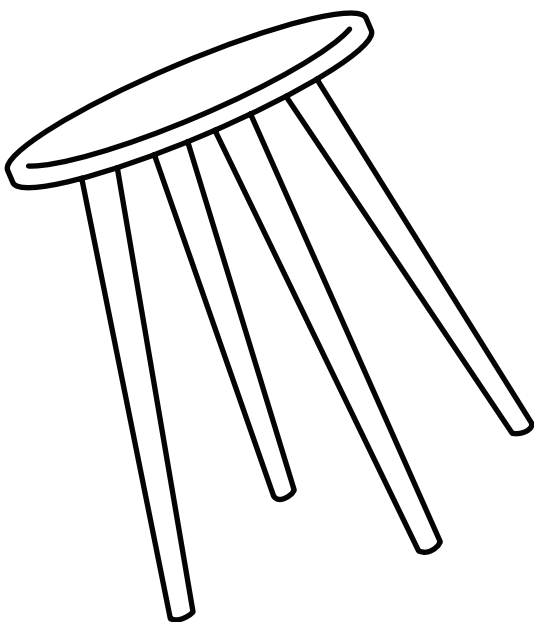


Hello, I've arrived!

Now that I'm here you are only one
flat-pack away from transforming
your home.



Mocka.

Thank you for supporting us.

We believe design belongs to everyone. From materials and processes to safety testing, production and delivery, we are passionate and committed to bringing you the best possible product so you can create beautifully functional spaces to feel comfortably you.

Here are a few assembly tips before you get started:



Make Time

The first step to all seamless assembly is taking a moment to carefully read through the instructions—you are already on your way to creating a beautifully functional space!



Set The Mood

Put on your favourite playlist, order that pizza and pour yourself a drink to get in the mood!



Tool Check

Layout the instructions, screws and panels to check you have everything you need. A blanket or soft floor rug will help protect your new favourite item from scratches and a drill will speed up the assembly too!



Room Reveal

You did it! Take a step back and enjoy the moment. Don't forget to recycle any packaging and share a pic of your room reveal—we love seeing how you transform your home! **Tag us @mockaaustralia/@mockaanz**

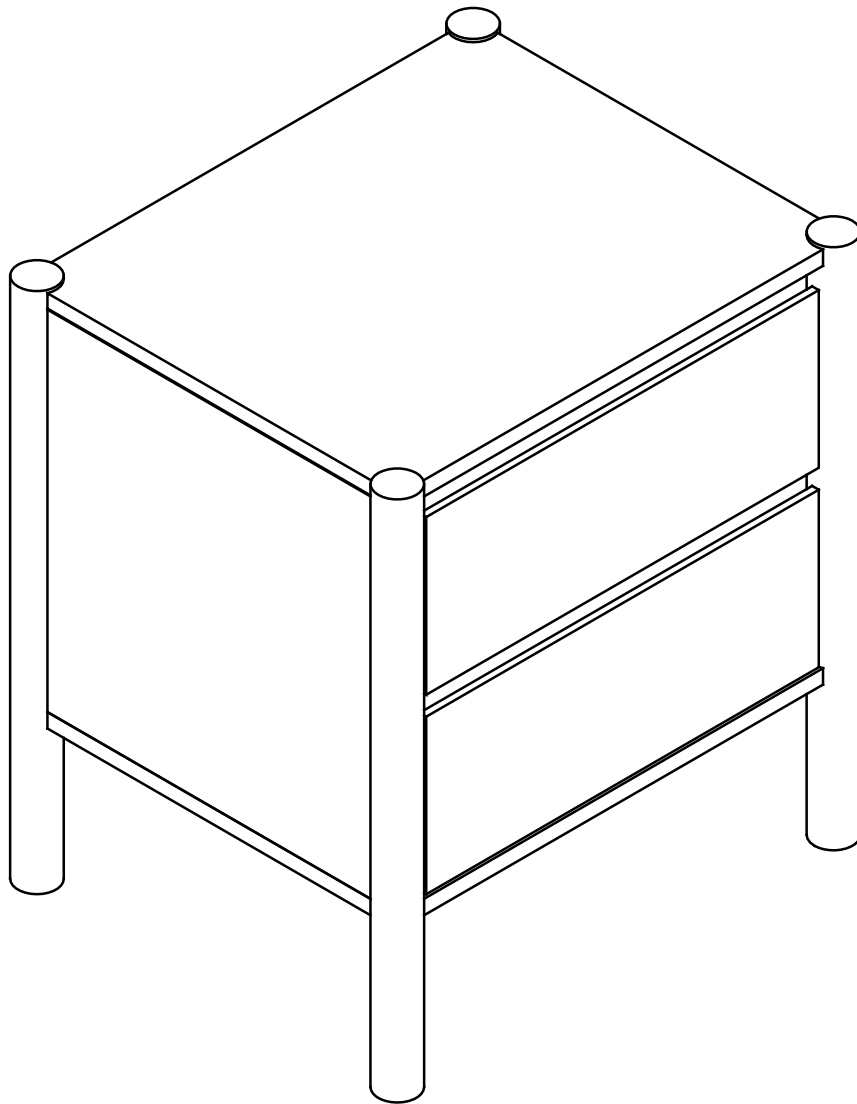
Happy flat-packing!

The Mokka Team

Blair

Bedside Table

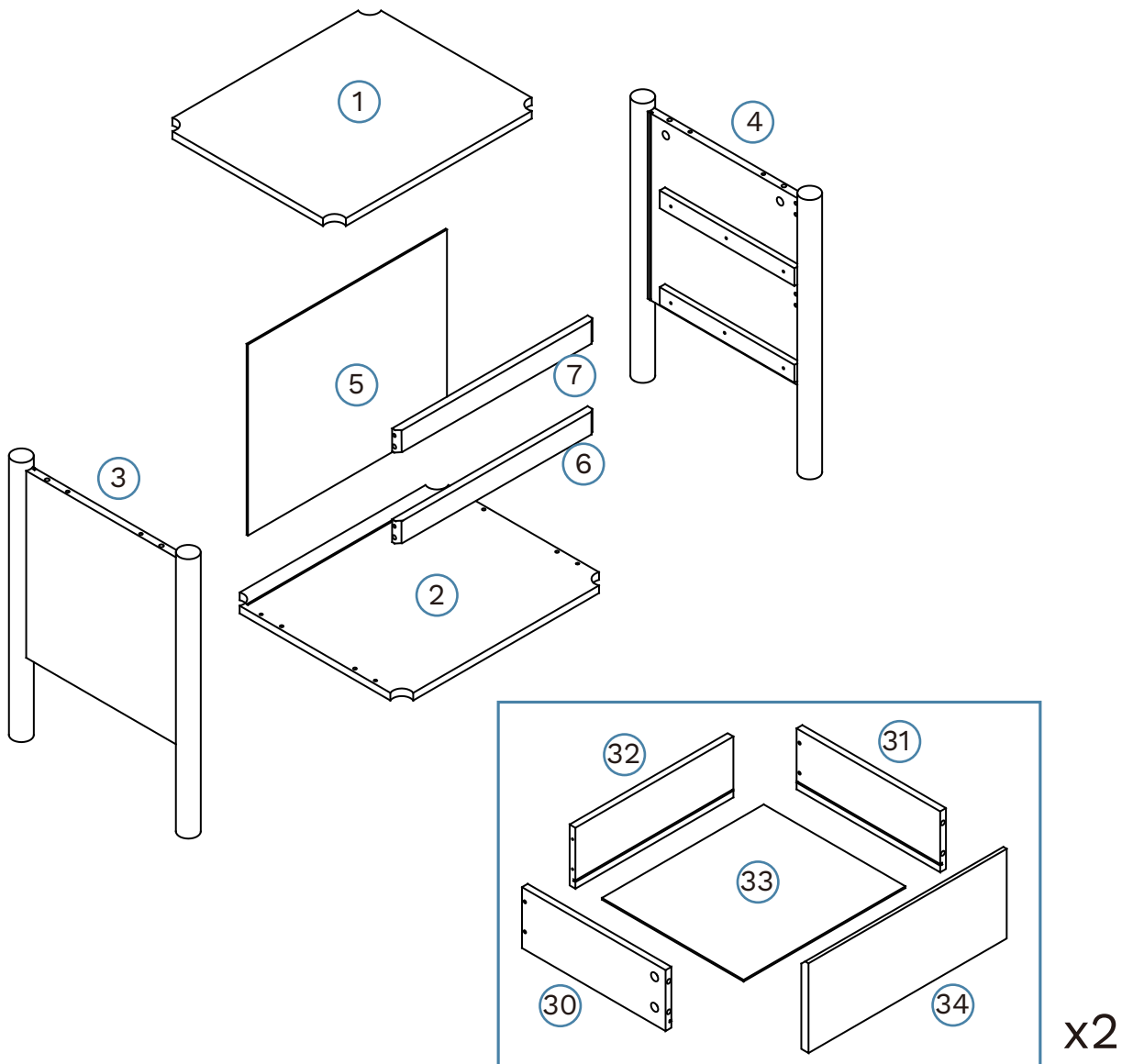
Thank you for your purchase. Please follow the instructions for correct assembly. While we took great effort to ensure these assembly instructions were correct at the time of printing, sometimes updates are required post production. For the most up to date versions please refer to the product page on our website. mocka.com.au/mocka.co.nz



Blair

Bedside Table

Panel Layout











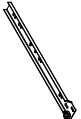




Partlist

①	Top Panel	x1	⑦	Rail	x1
②	Bottom Panel	x1	③①	Right Drawer Side	x2
③	Left Side Panel	x1	③②	Drawer Back	x2
④	Right Side Panel	x1	③③	Drawer Base	x2
⑤	Back Panel	x1	③④	Drawer Front	x2
⑥	Rail	x1			
			③①	Left Drawer Side	x2

Blair

Bedside Table

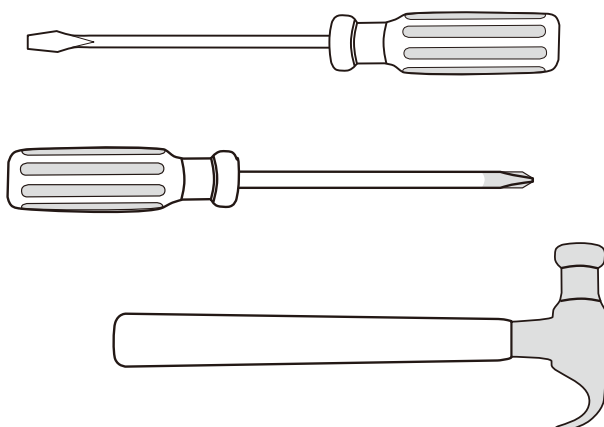
A  dowel x12	B  screw x4	C  bolt x16	D  locking nut x16	E  screw x20	F  screw x8	G  wedge x4
H  screw x4	I  plastic glide x4	CL  slide rail x2	CR  slide rail x2	DL  slide rail x2	DR  slide rail x2	

HARDWARE SUPPLIED

V  safety strap x1	W  screw x 1	X  wall anchor x 1	Y  wall screw x 1	Z  washer x 2
-----------------------------------------------------------------------------------------------------------------------	-----------------------------------------------------------------------------------------------------------------	-----------------------------------------------------------------------------------------------------------------------	------------------------------------------------------------------------------------------------------------------------	--------------------------------------------------------------------------------------------------------------------

WALL STRAP

WARNING: Any furniture that is not anchored to a wall has the potential to tip over in certain circumstances, i.e. if a child attempts to climb up on the furniture or in the event of an earthquake. Accordingly, we recommend that all furniture is anchored to a wall. We supply a free safety wall anchor with all furniture sold and we recommend these are used to prevent your product tipping. The fixing device provided should fit most wall types, but please note that different wall materials may require different fixing devices from those supplied.

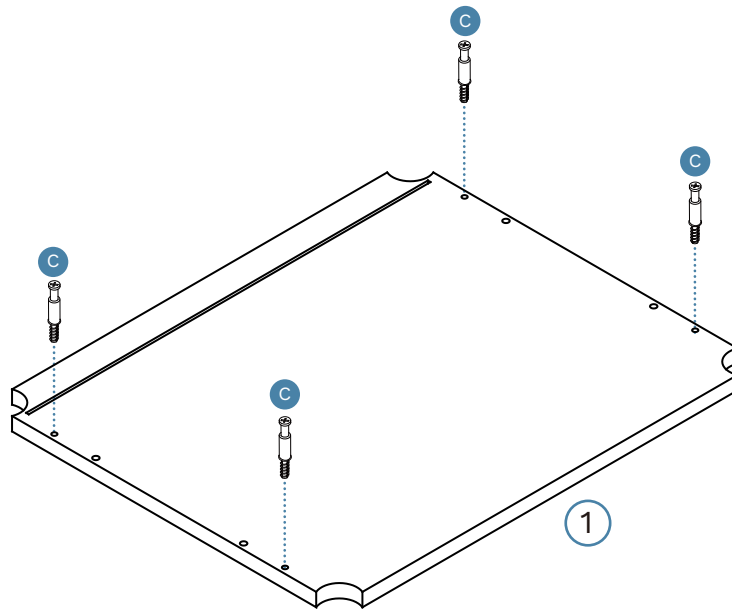



Phillips & Flathead screwdrivers
and hammer required
**For quicker assembly, we recommend the
use of a power drill on a low-speed setting.**

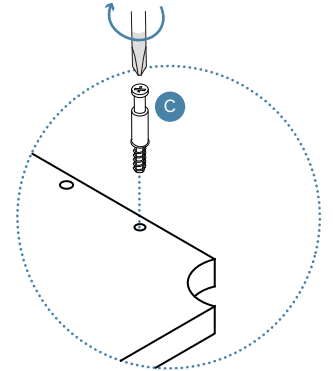
Blair

Bedside Table

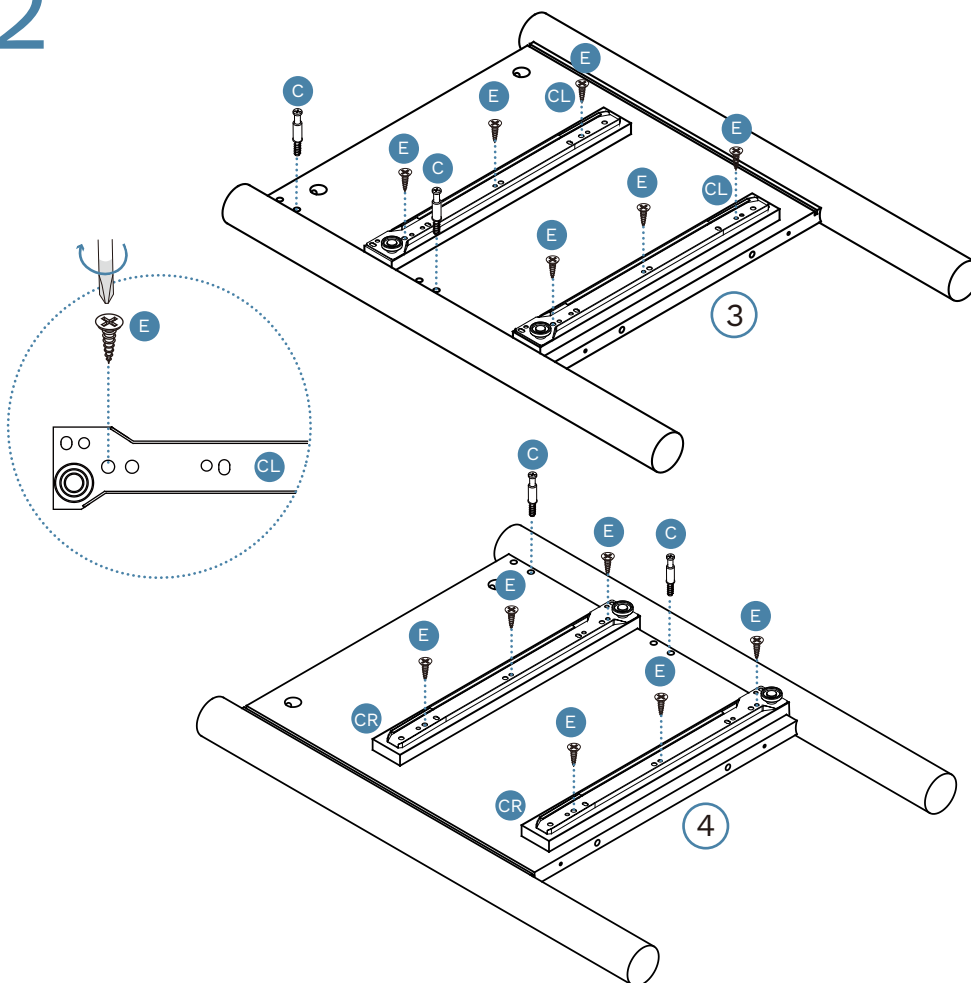
1







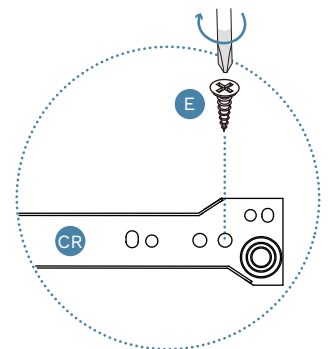
Hardware Needed		
C		x4



2



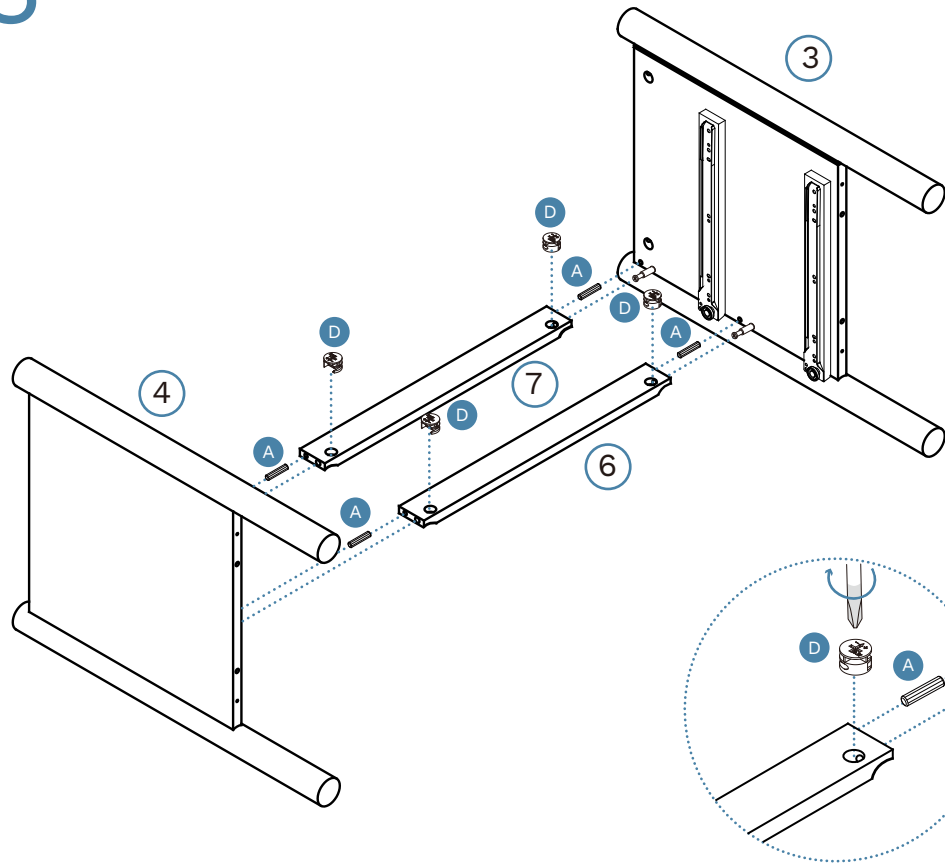
Hardware Needed		
C		x4
E		x12
CL		x2
CR		x2





Blair

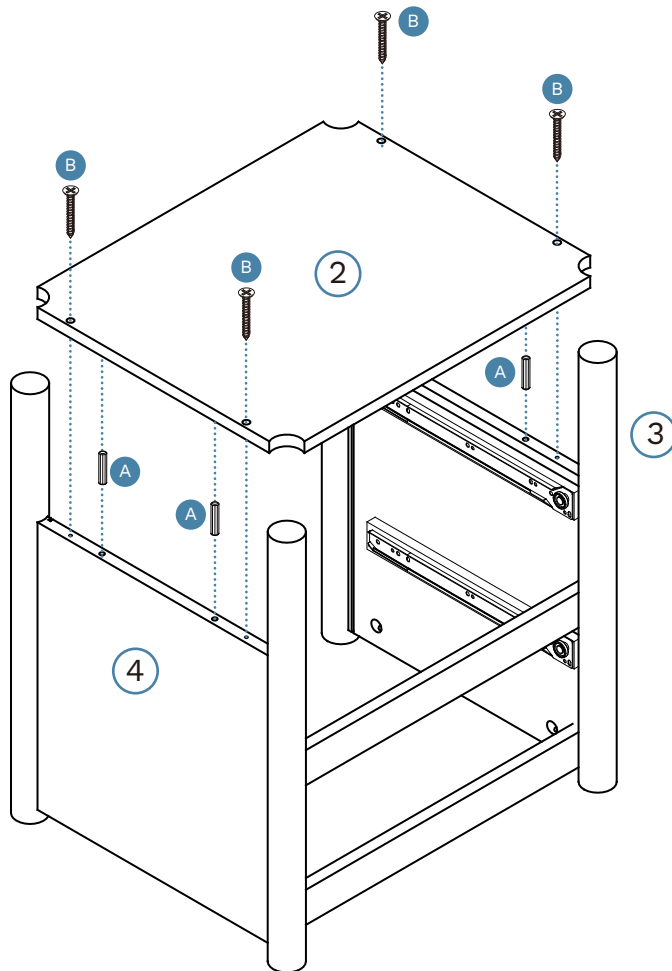
Bedside Table



3

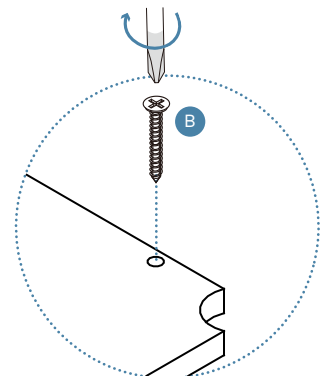


Hardware Needed		
A		x4
D		x4

4



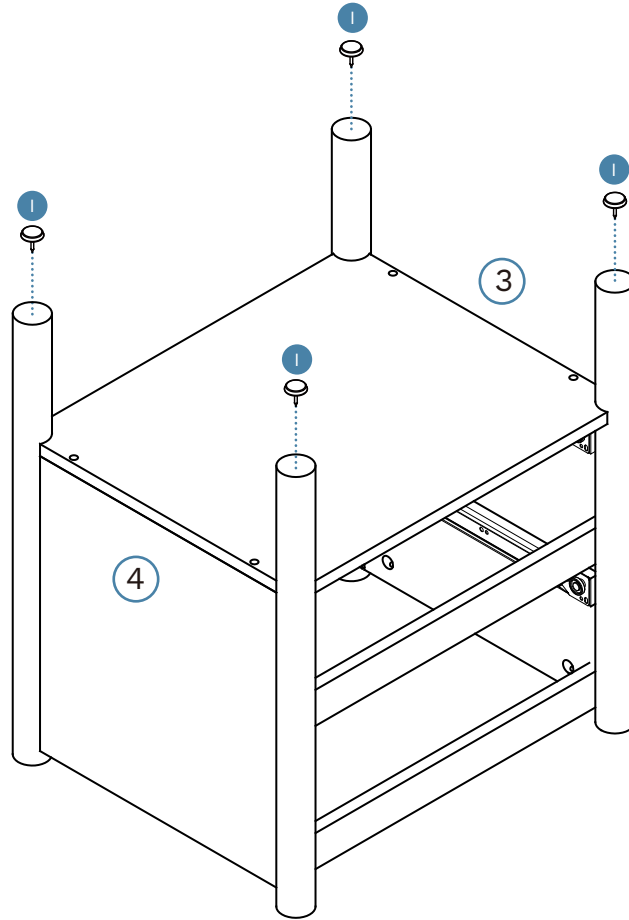
Hardware Needed		
A		x4
B		x4




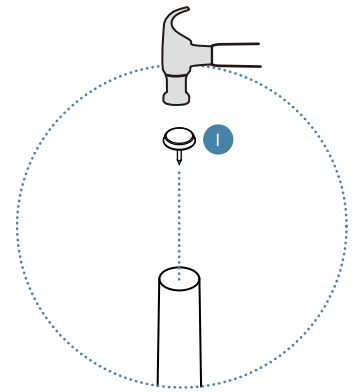
Blair

Bedside Table

5

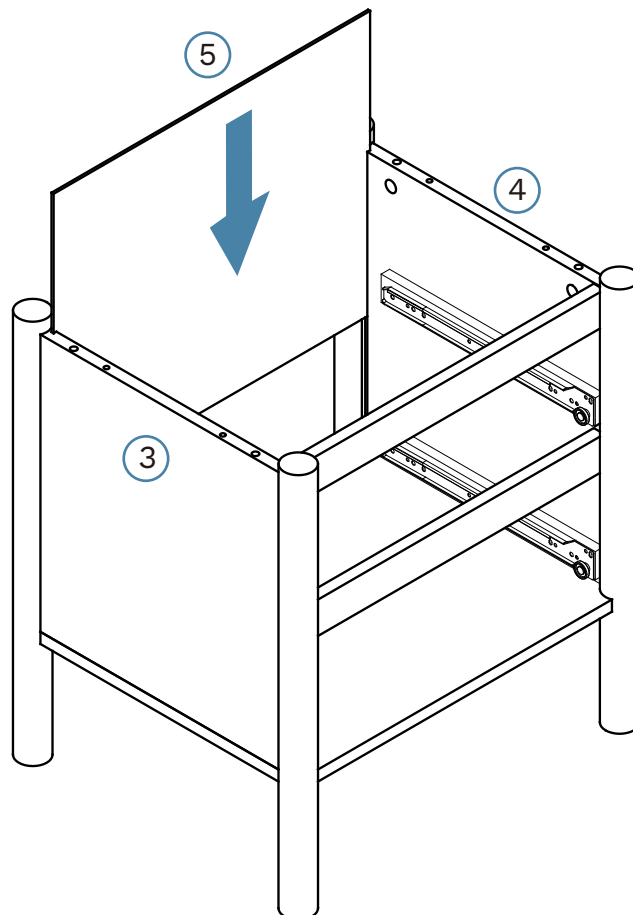


Hardware Needed		
1		x4



TURN OVER

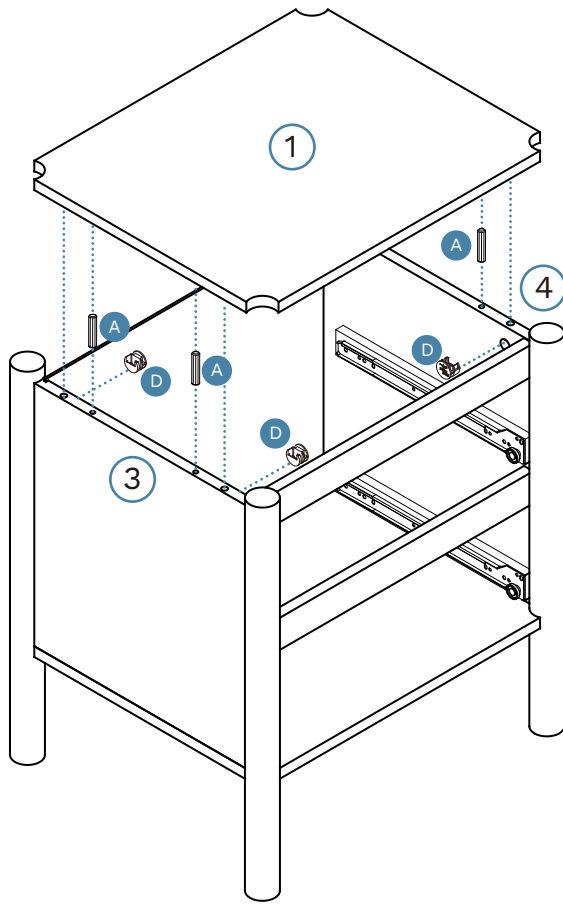
6





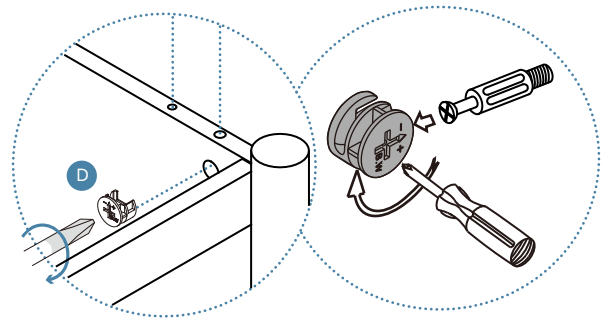
Blair

Bedside Table

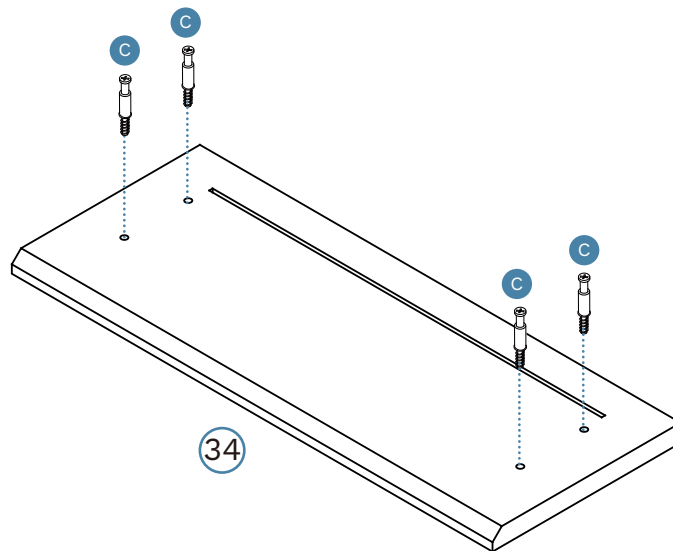
7




Hardware Needed		
A		x4
D		x4



8 Drawer x2




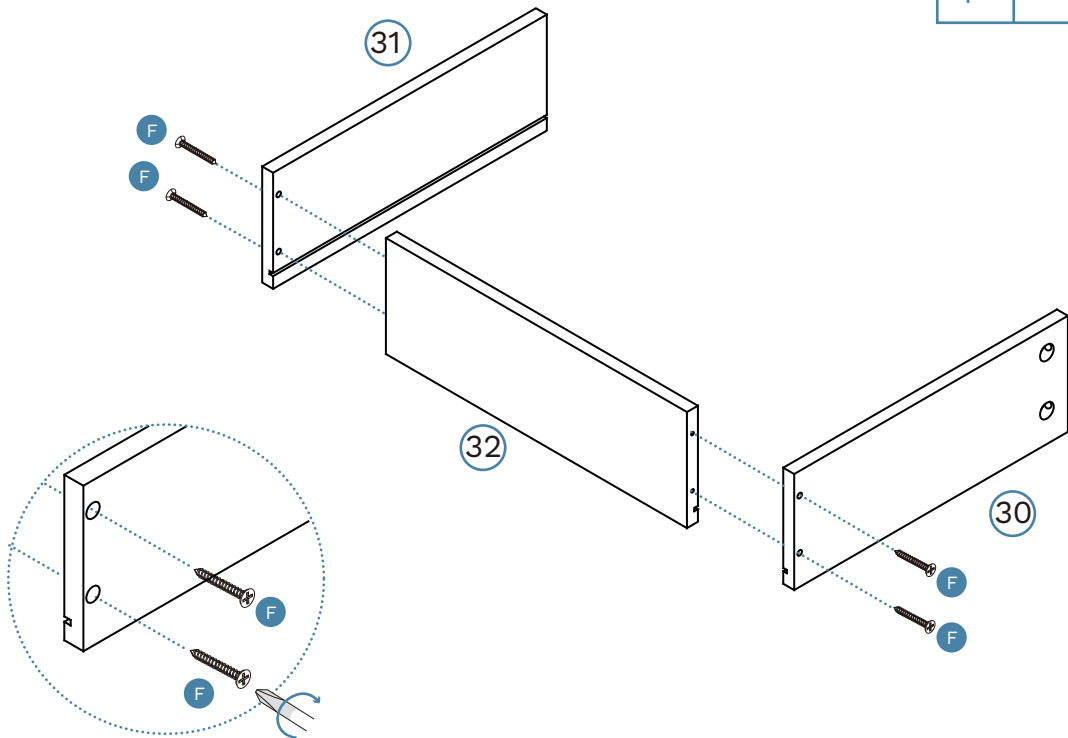
Hardware Needed		
C		x8

Blair

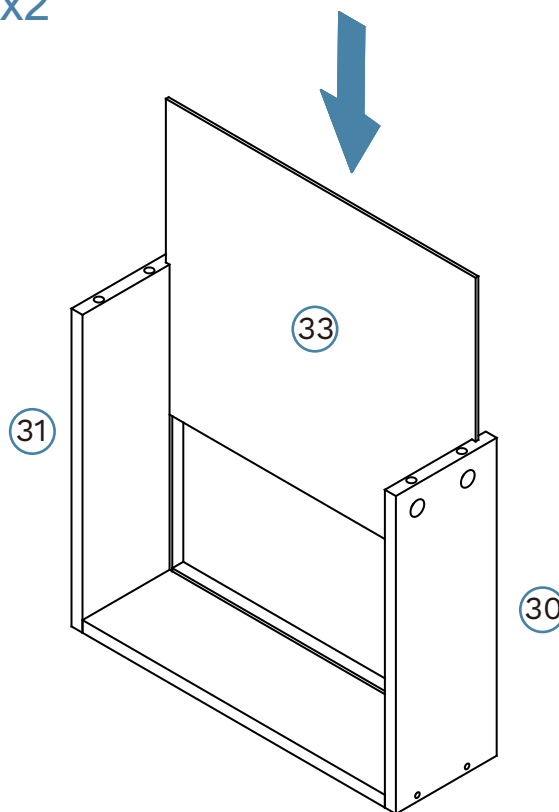
Bedside Table

9 Drawer x2

Hardware Needed		
F		x8




10 Drawer x2

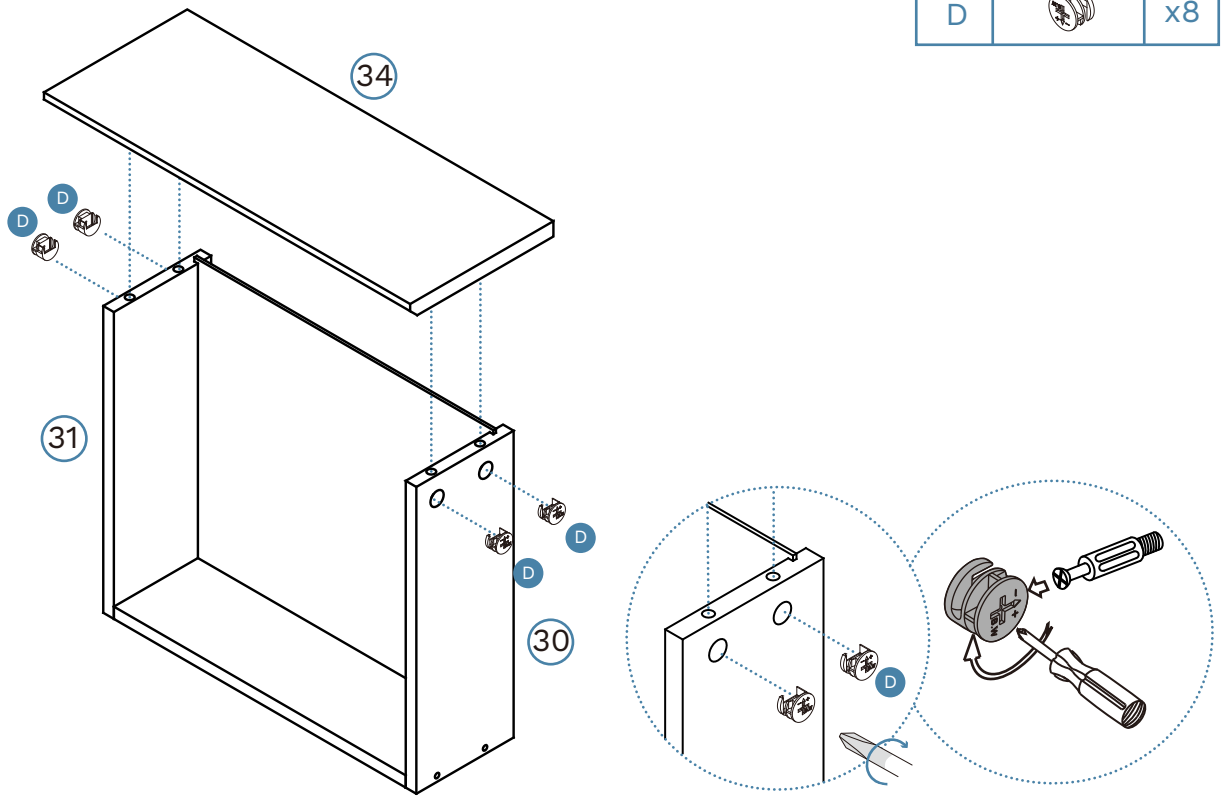


Blair




Bedside Table

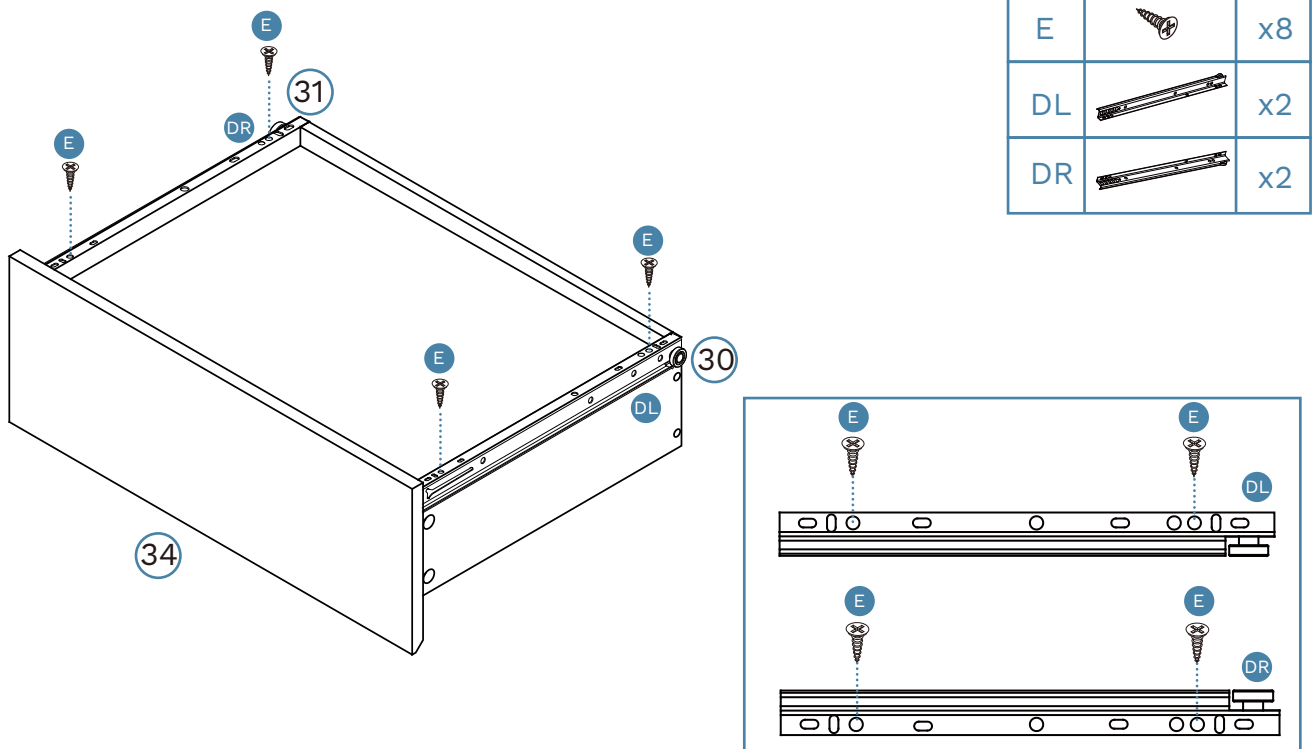
11 Drawer x2

Hardware Needed		
D		x8



12 Drawer x2

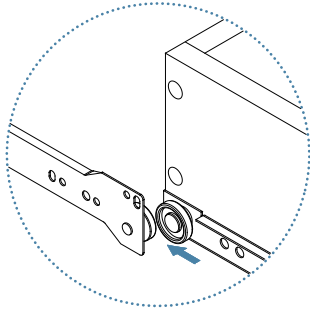
Hardware Needed		
E		x8
DL		x2
DR		x2



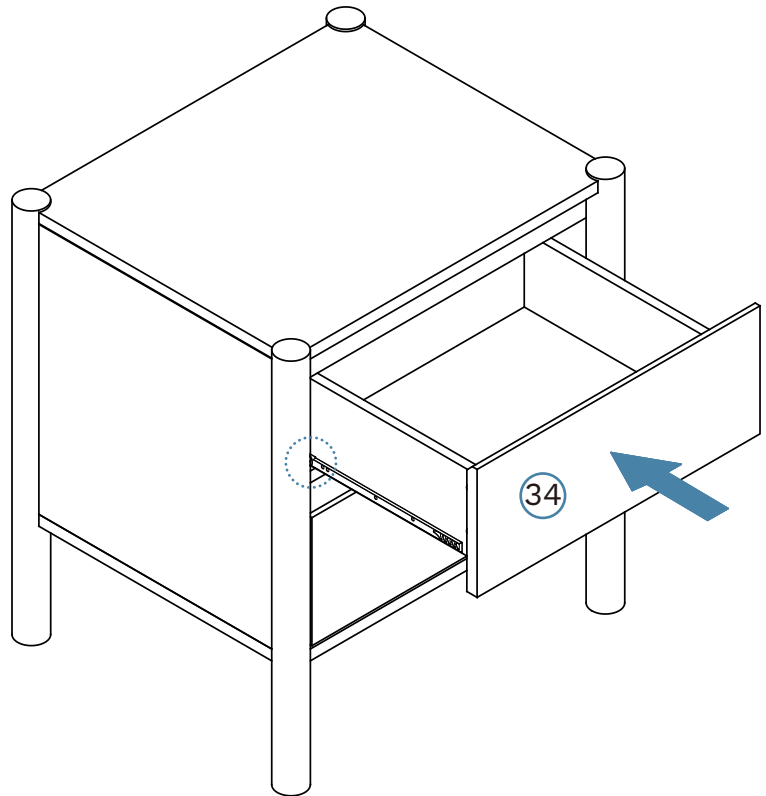
Blair

Bedside Table

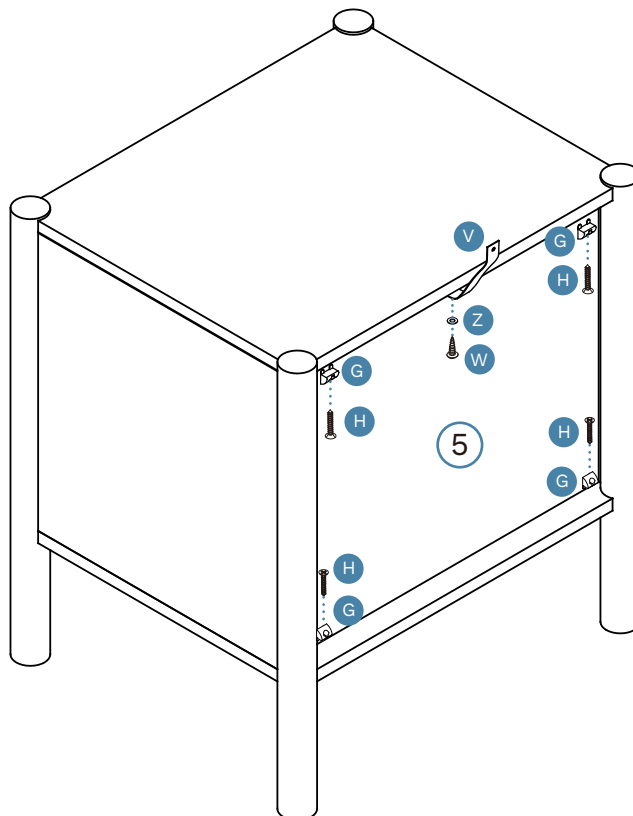
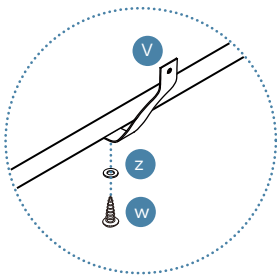
13



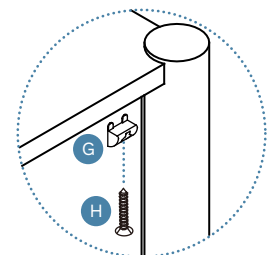
Carefully insert the drawers into the unit by gently guiding the runners into the tracks.



14



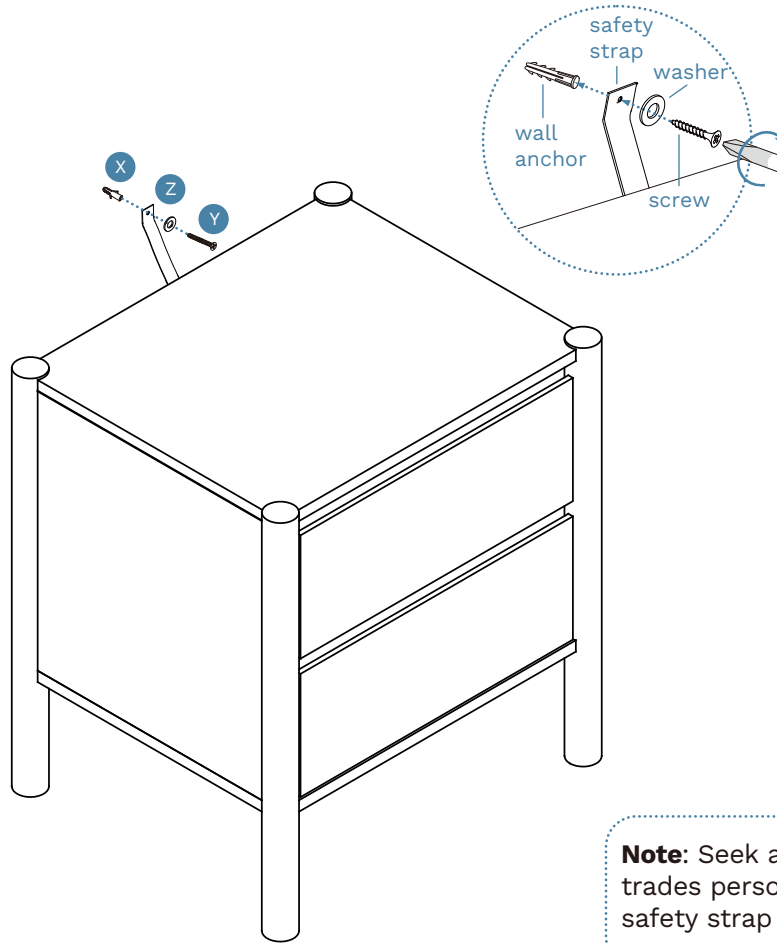
Hardware Needed		
G		x4
H		x4
V		x1
W		x1
Z		x1






Blair

Bedside Table

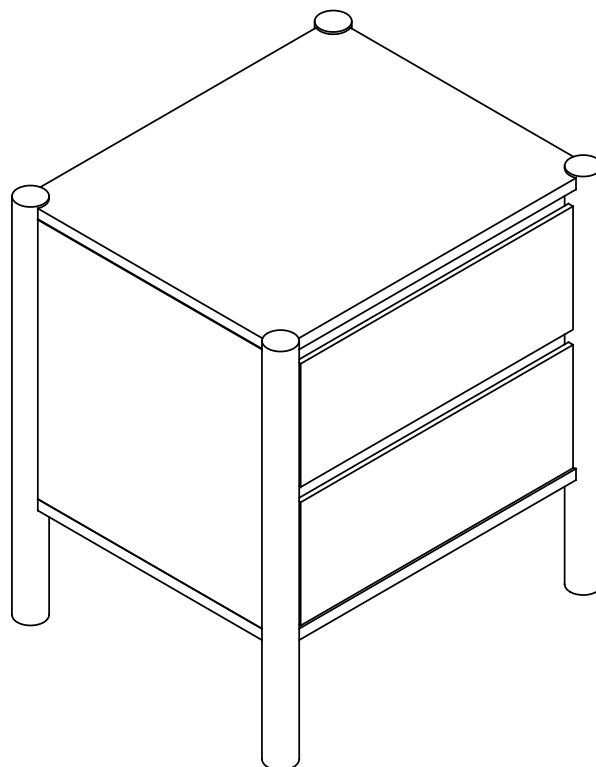
15



Hardware Needed		
X		x1
Y		x1
Z		x1

Note: Seek advice from a qualified trades person on how to attach this safety strap to your specific wall.

16



Once assembled lift furniture into place, do not drag. You're done, enjoy!