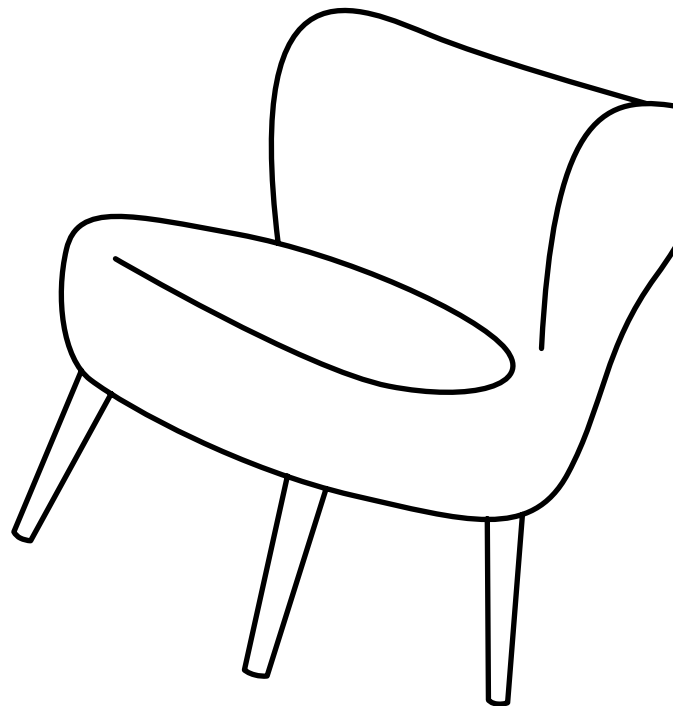
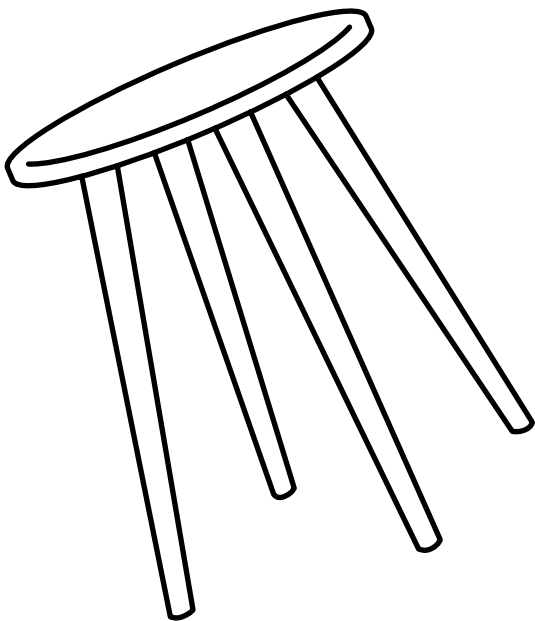


Hello, I've arrived!

Now that I'm here you are only one
flat-pack away from transforming
your home.



Mocka.

Thank you for supporting us.

We believe design belongs to everyone. From materials and processes to safety testing, production and delivery, we are passionate and committed to bringing you the best possible product so you can create beautifully functional spaces to feel comfortably you.

Here are a few assembly tips before you get started:



Make Time

The first step to all seamless assembly is taking a moment to carefully read through the instructions—you are already on your way to creating a beautifully functional space!



Set The Mood

Put on your favourite playlist, order that pizza and pour yourself a drink to get in the mood!



Tool Check

Layout the instructions, screws and panels to check you have everything you need. A blanket or soft floor rug will help protect your new favourite item from scratches and a drill will speed up the assembly too!



Room Reveal

You did it! Take a step back and enjoy the moment. Don't forget to recycle any packaging and share a pic of your room reveal—we love seeing how you transform your home! **Tag us @mockaaustralia/@mockaanz**

Happy flat-packing!

The Mocka Team

Need help? Our Support Team are available via live chat, email or phone. Visit our website for details.

AUSTRALIA

+61 7 3184 8466

Our phone lines are available
weekdays 9am to 5pm AEST



NEW ZEALAND

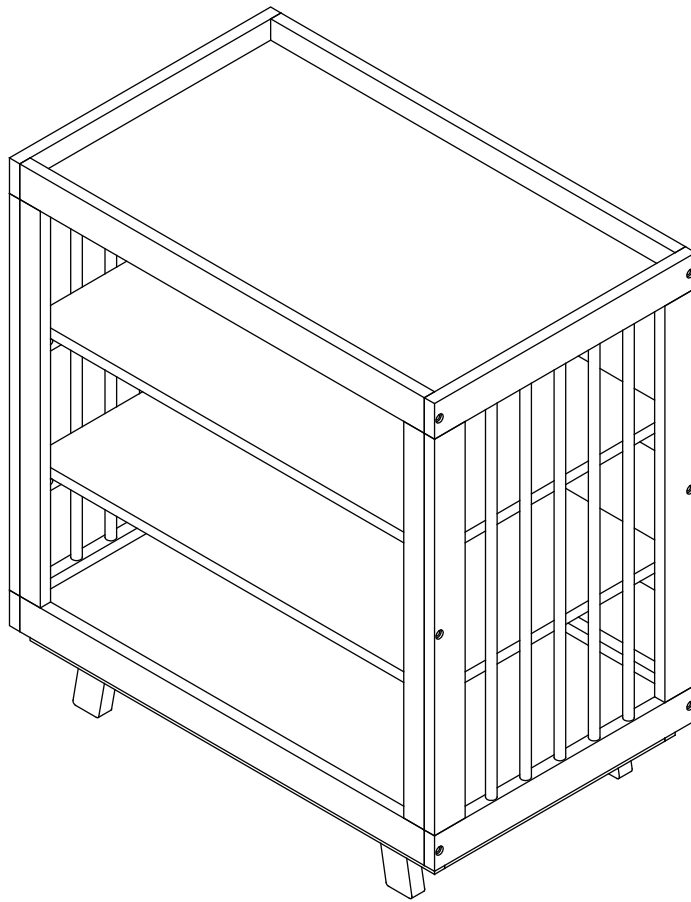
+64 3 384 1858

Our phone lines are available
weekdays 9am to 5pm NZT

Aspen

Change Table

Thank you for your purchase. Please follow the instructions for correct assembly. While we took great effort to ensure these assembly instructions were correct at the time of printing, sometimes updates are required post production. For the most up to date versions please refer to the product page on our website. mocka.com.au/mocka.co.nz



WARNING

Children have died from furniture toppling over.

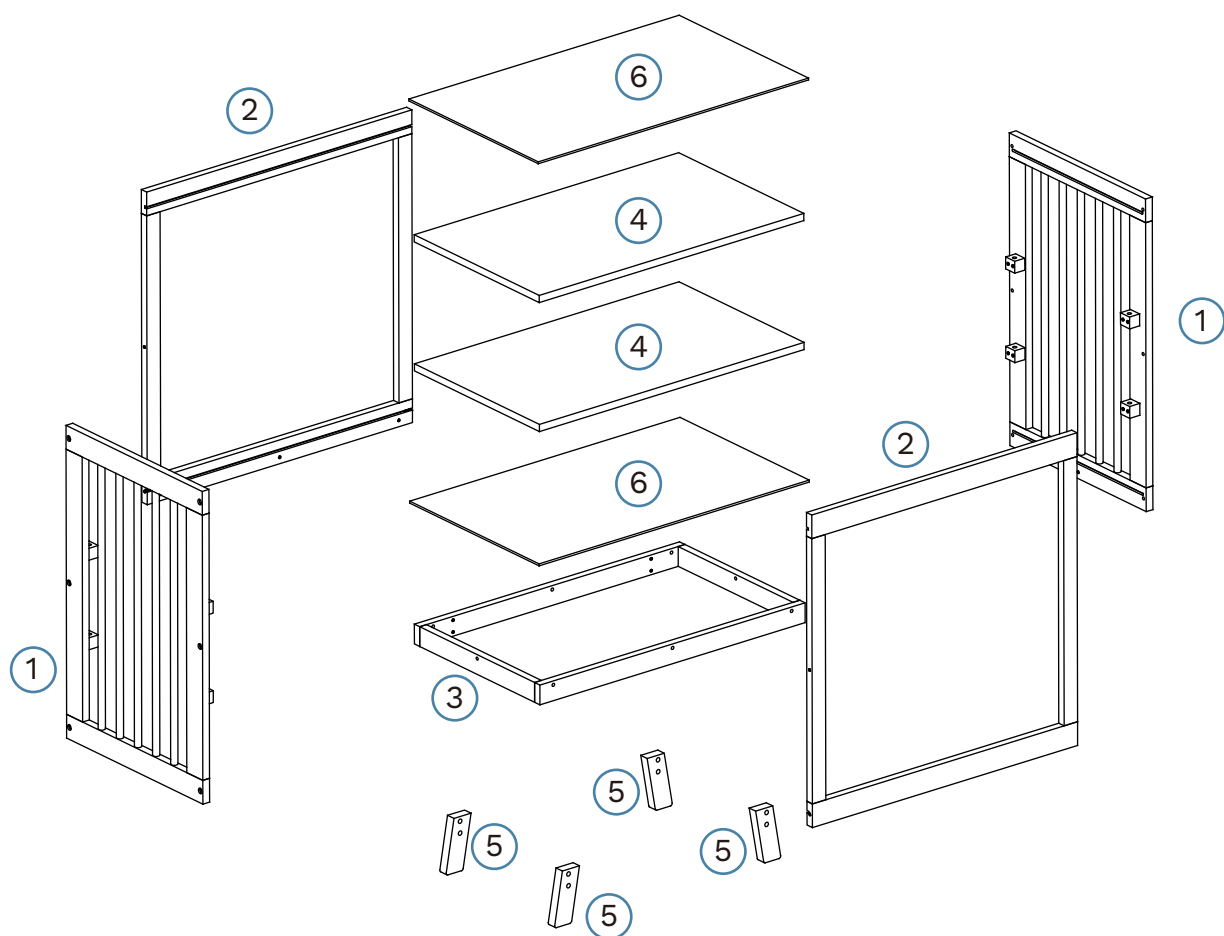
- **ALWAYS** secure this furniture with an anchor device.
- **NEVER** allow children to stand, climb or hang on drawers, doors or shelves.
- **NEVER** open more than one drawer at a time.
- Place heavy items down low.
- **NEVER** place a television on this furniture.



Aspen

Change Table

Panel Layout

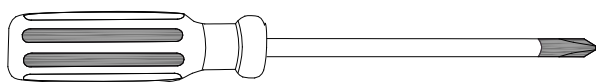
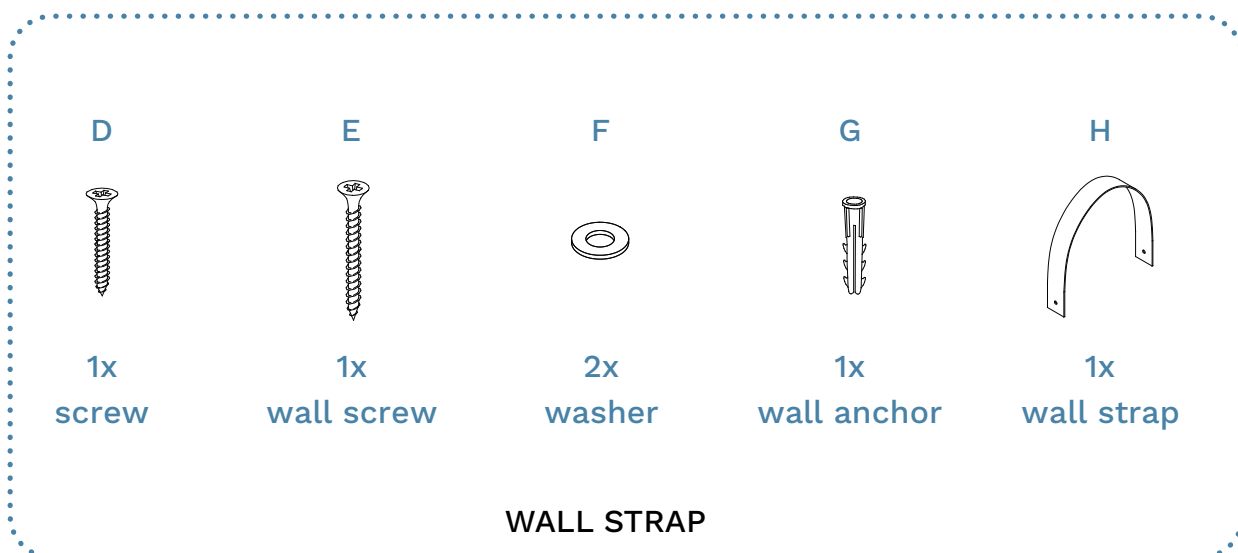
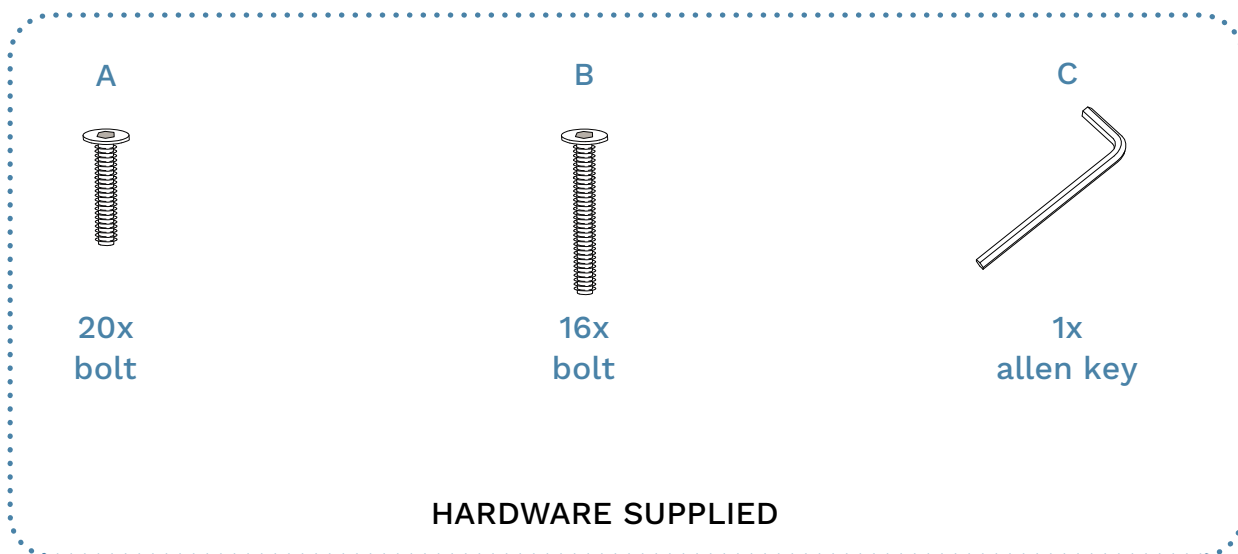


Partlist

①	End Panel	x2
②	Side Panel	x2
③	Bottom Frame	x1
④	Thicker Shelf	x2
⑤	Leg	x4
⑥	Thinner Shelf	x2

Aspen

Change Table

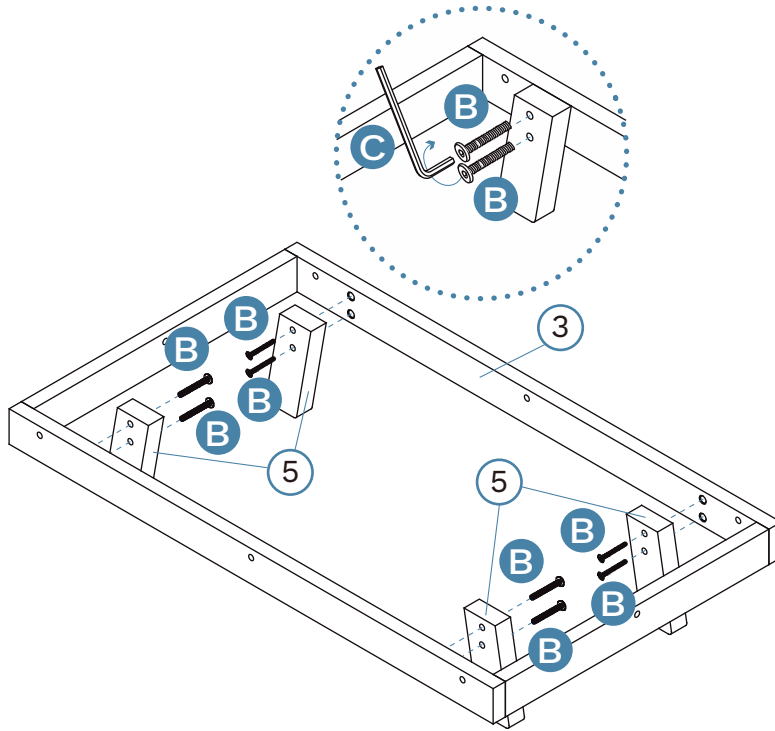


Phillips screwdriver required

For quicker assembly, we recommend the use of a power drill on a low-speed setting.

Aspen Change Table

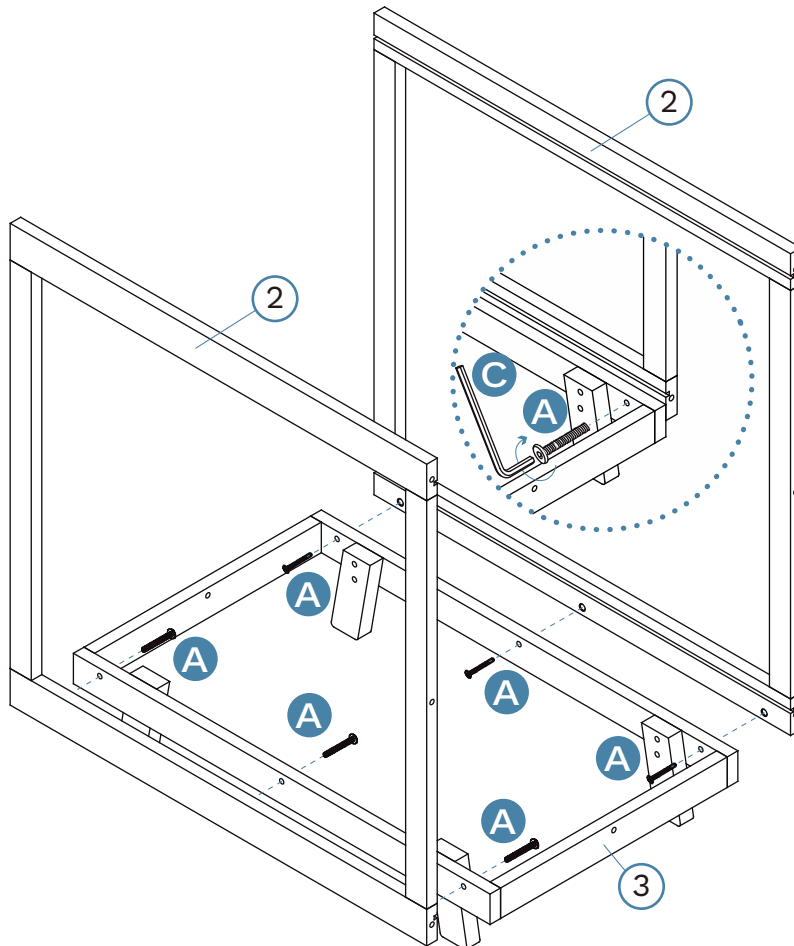
1



Hardware Needed

B		x8
---	---	----

2

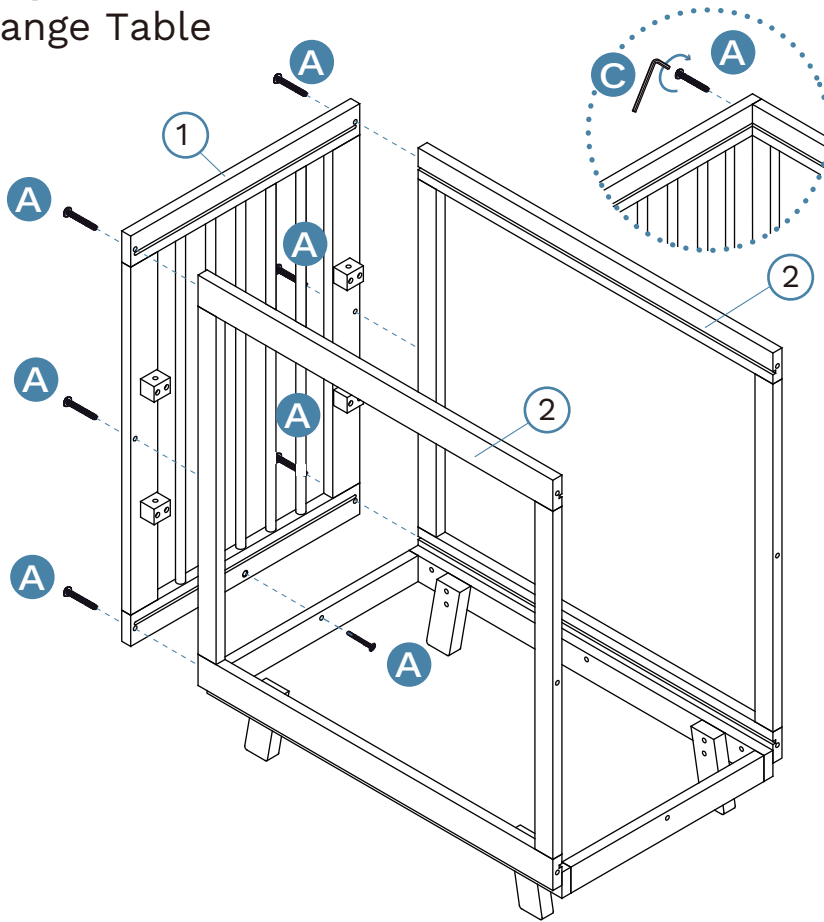


Hardware Needed


A		x6
---	---	----

Aspen Change Table

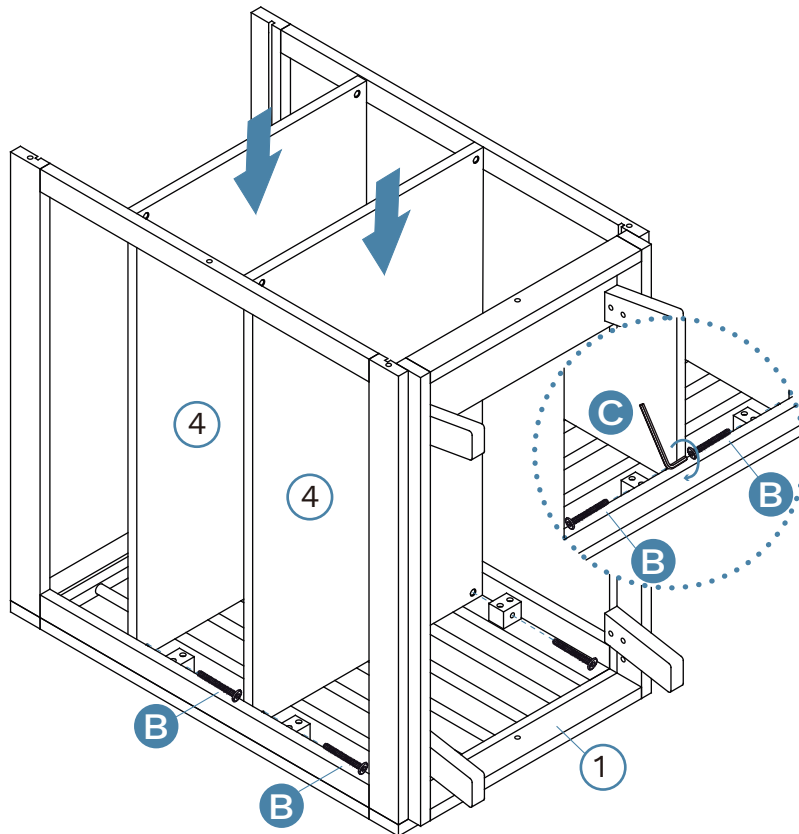
3




Hardware Needed

A		x7
---	---	----

4

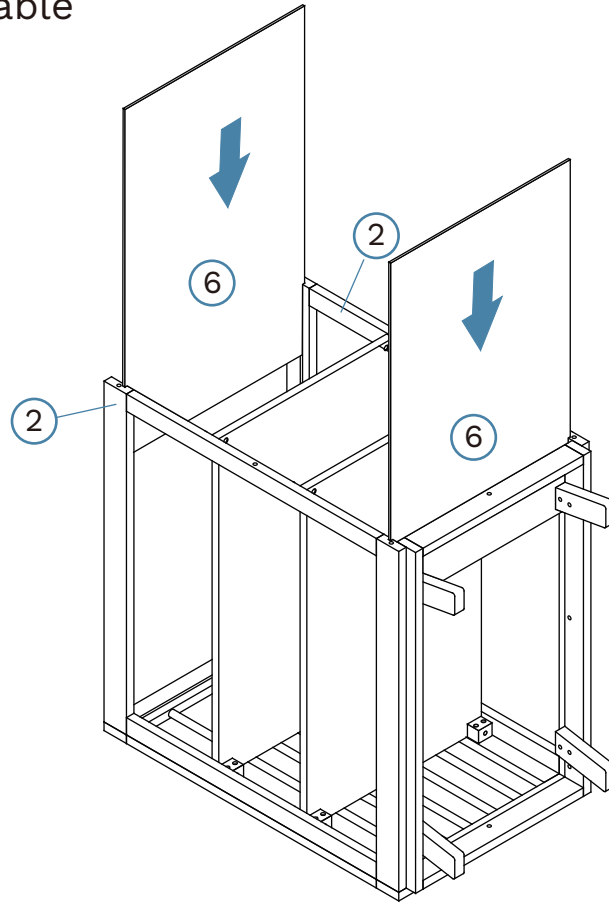


Hardware Needed

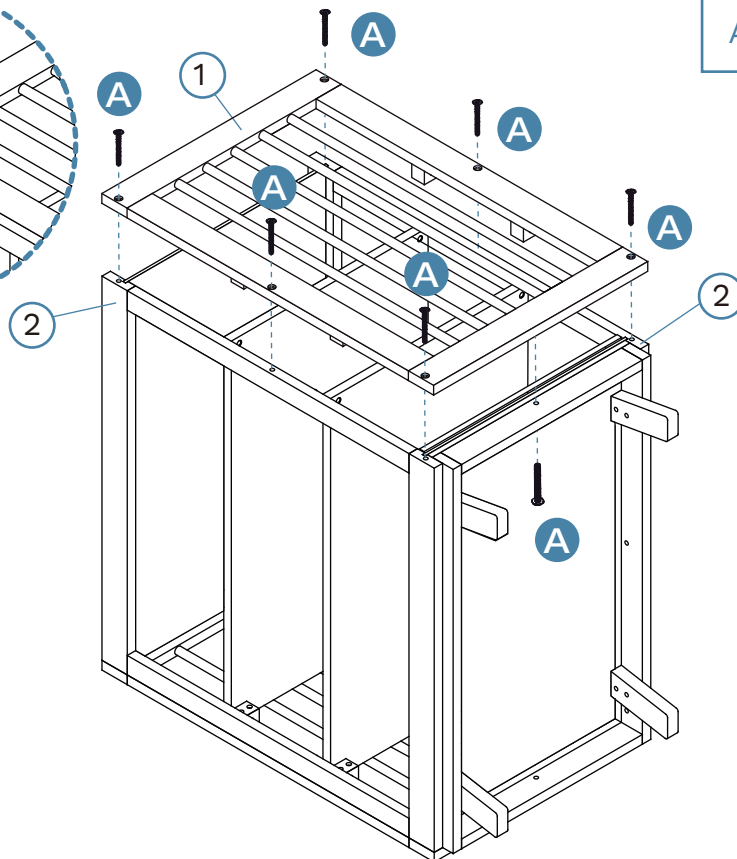
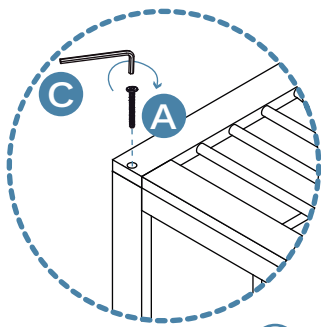
B		x4
---	---	----

Aspen
Change Table

5



6

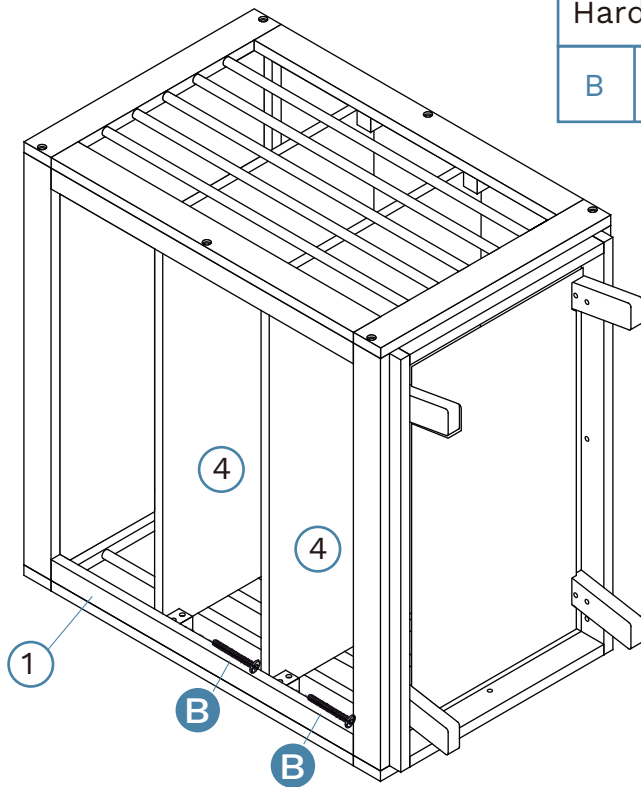
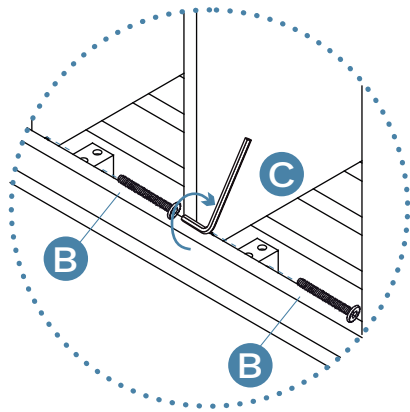


Hardware Needed

A		x7
---	---	----

Aspen Change Table

7



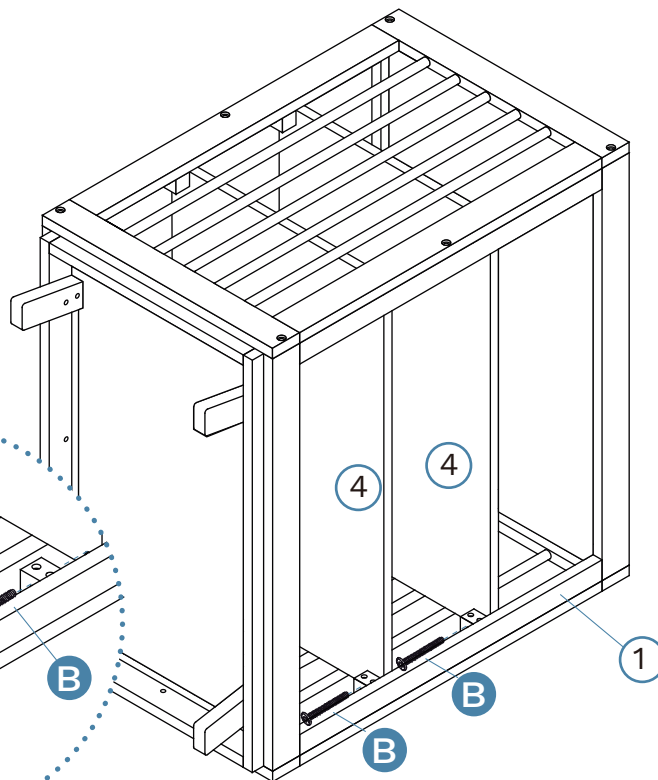
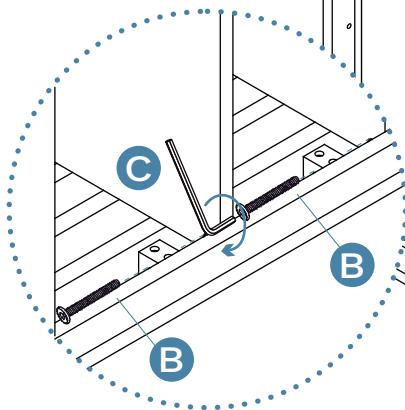
Hardware Needed

B



2

8



Hardware Needed

B

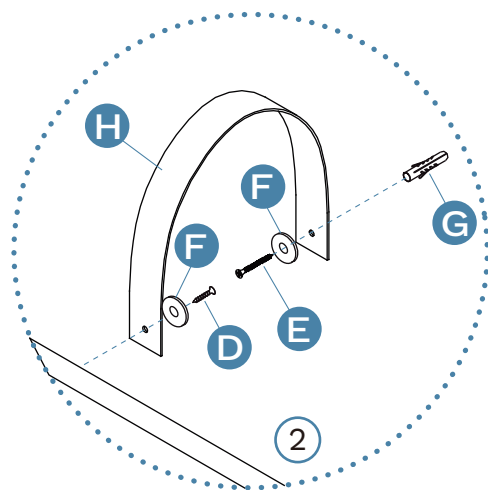


x2

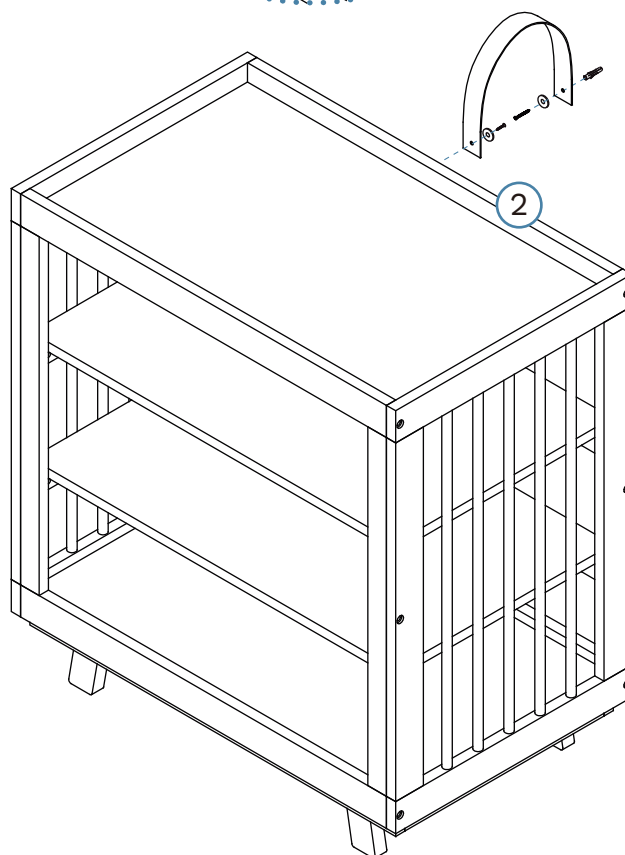
Aspen

Change Table

9



Hardware Needed		
D		x1
E		x1
F		x2
G		x1
H		x1



Once assembled lift furniture into place, do not drag. Attach wall strap (H) to side panel [2] with 1x washer (F) and 1x screw (D). Use a drill to create a small hole lining up with the safety strap (H). Fasten to wall using 1x wall anchor (G), 1x washer (F) and 1x wall screw (E). Ensure unit is balanced and steady before use. You're done, enjoy!



Love it for longer.

Remove all liquid and food spills immediately ONLY with a clean, damp, undyed white cloth.
Do NOT use abrasives or common household detergents.



Caring for our world.

In the interest of our environment, please dispose of all packaging thoughtfully.



Good news, you're all done!

Love it and share it on Instagram by tagging

 @mockaaustralia | @mockanz