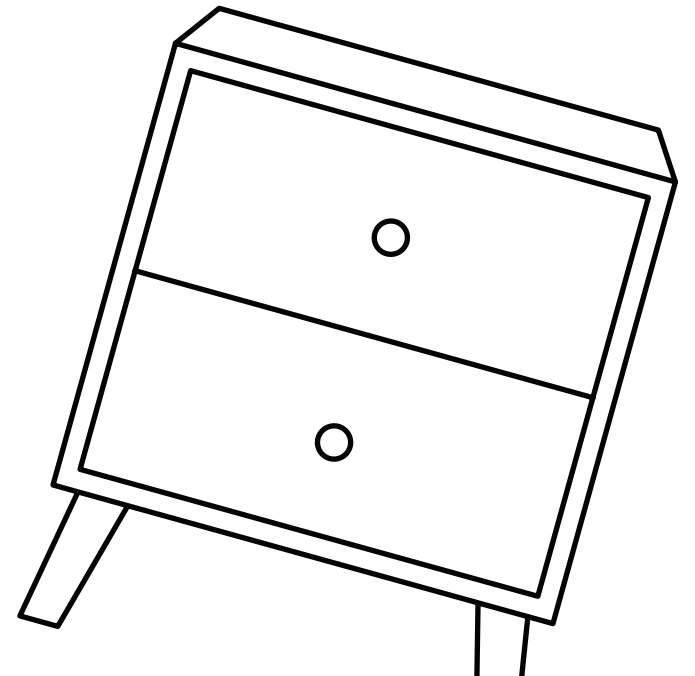
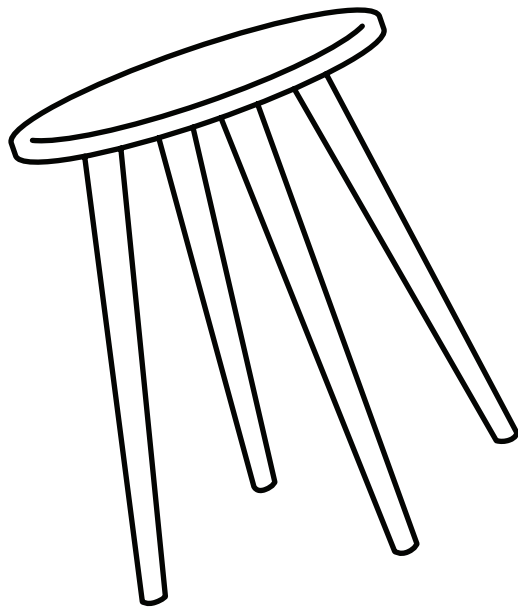


Hello,
I've arrived!

Now that I'm here you are only one
flat-pack away from transforming
your home.



Mocka.

Thank you for supporting us.

We believe design belongs to everyone. From materials and processes to safety testing, production and delivery, we are passionate and committed to bringing you the best possible product so you can create beautifully functional spaces to feel comfortably you.

Here are a few assembly tips before you get started:



Make Time

The first step to all seamless assembly is taking a moment to carefully read through the instructions—you are already on your way to creating a beautifully functional space!



Set The Mood

Put on your favourite playlist, order that pizza and pour yourself a drink to get in the mood!



Tool Check

Layout the instructions, screws and panels to check you have everything you need. A blanket or soft floor rug will help protect your new favourite item from scratches and a drill will speed up the assembly too!



Room Reveal

You did it! Take a step back and enjoy the moment. Don't forget to recycle any packaging and share a pic of your room reveal—we love seeing how you transform your home! **Tag us @mockaaustralia/@mockaanz**

Happy flat-packing!

the Mocka Team

Need help? Our Support Team are available via live chat, email or phone. Visit our website for details.

AUSTRALIA

+61 7 3184 8466

Our phone lines are available weekdays 9am to 5pm AEST



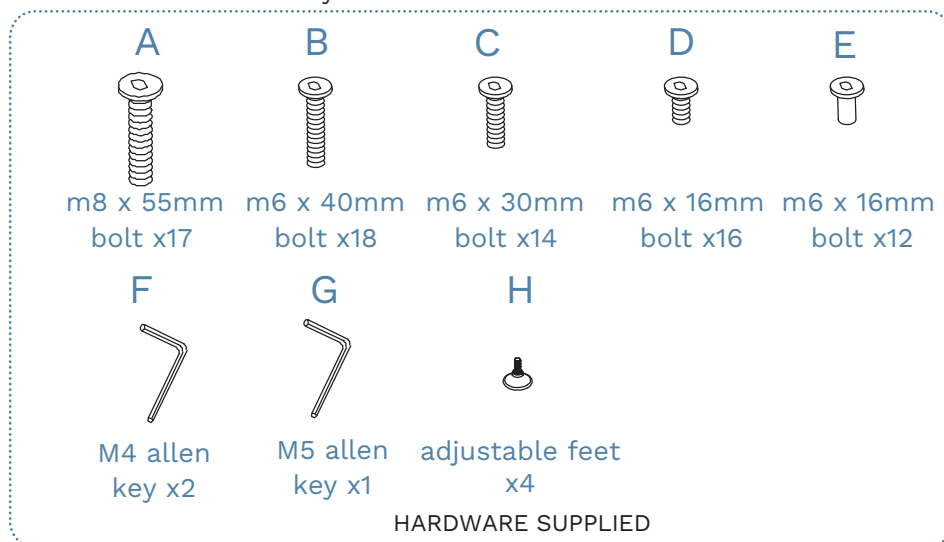
NEW ZEALAND

+64 3 384 1858

Our phone lines are available weekdays 9am to 5pm NZT

Lacie Metal Loft Bed with Desk

Thank you for purchasing Lacie Metal Loft Bed with Desk. Please follow the manufacturer's assembly instructions in detail.



WARNING: Falls from elevated beds can be fatal and deaths have occurred where children have fallen from elevated beds. This is relevant for all ages. The risk is greater for younger children.

The risk of injury or death from a fall from an elevated bed compared to a non-elevated bed is:

10x greater for 7-8 year olds

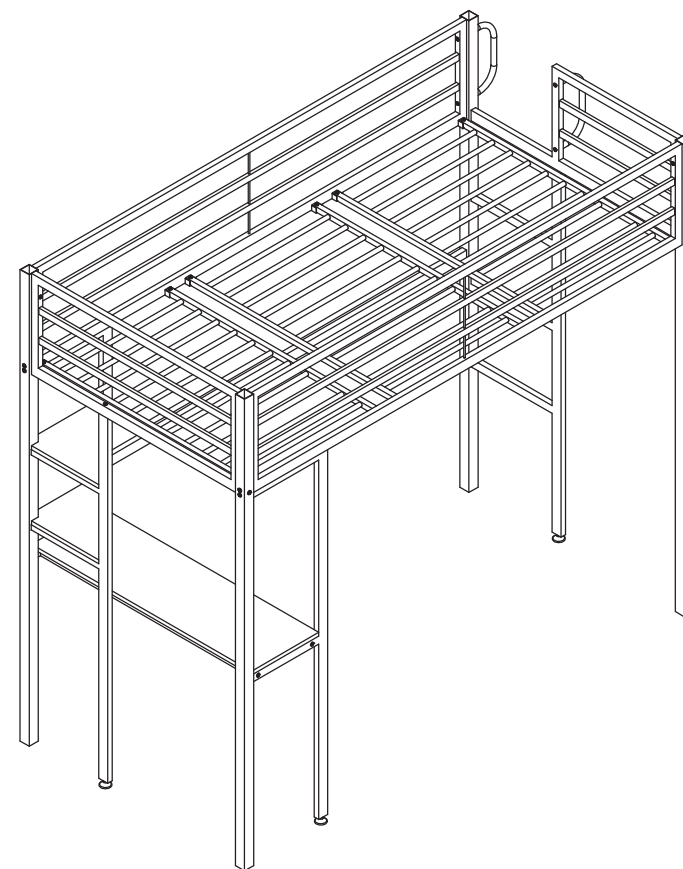
7x greater for 9-10 year olds

3x greater for 11-12 year olds

IMPORTANT STATEMENT

1. Children should be discouraged from playing on the bunk bed.
2. The bunk bed should be checked periodically to ensure that the guardrail, access device and other components are maintained in the correct position and state of repair and that all connectors are tight.

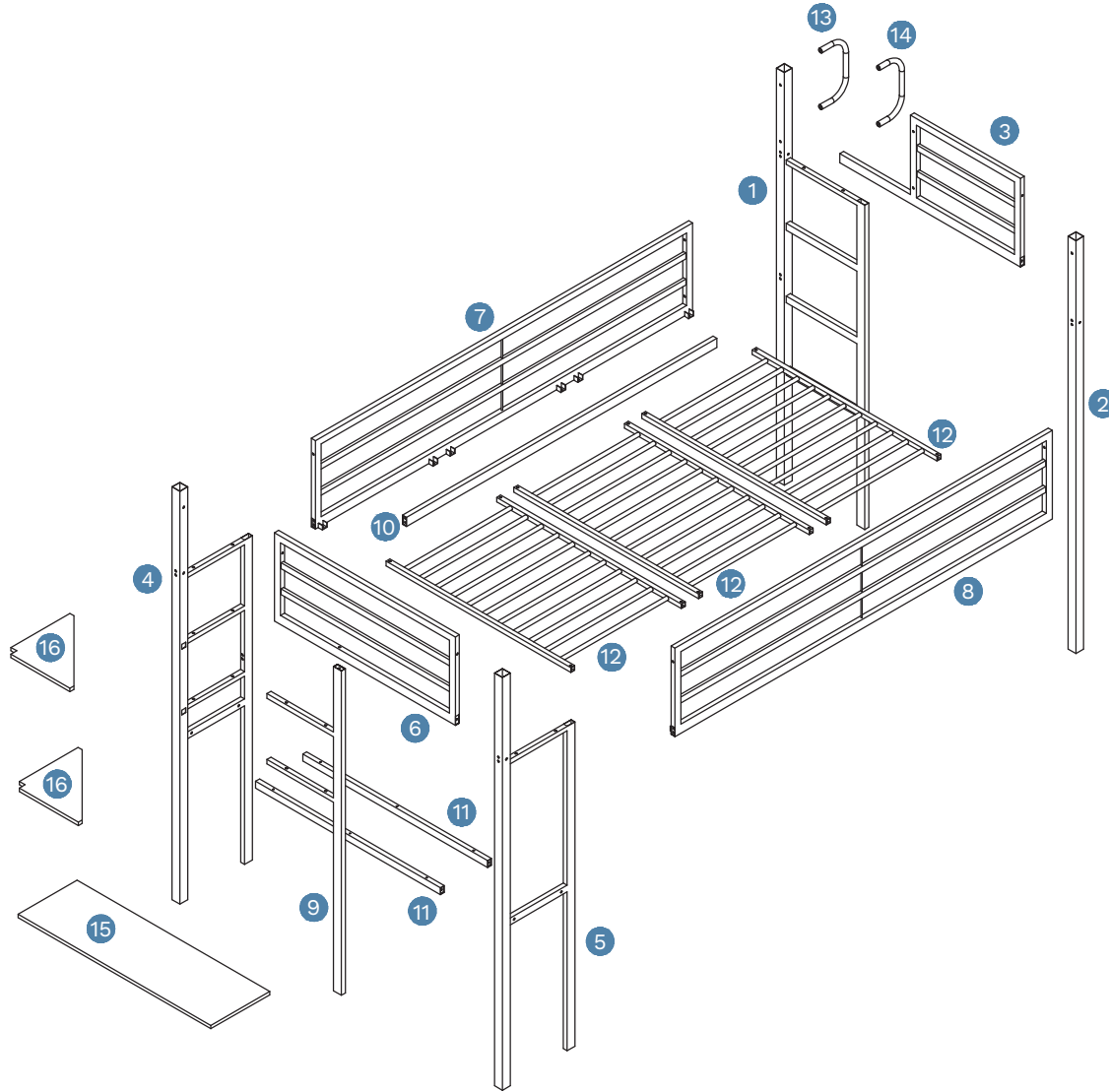
LIFT THE BED INTO PLACE. DO NOT DRAG, PUSH OR PULL THE BED ACROSS THE FLOOR AS THIS CAN CAUSE DAMAGE.



WARNING: TOP BUNKS AND ELEVATED BEDS ARE DANGEROUS AND ARE NOT RECOMMENDED FOR CHILDREN UNDER THE AGE OF 9.

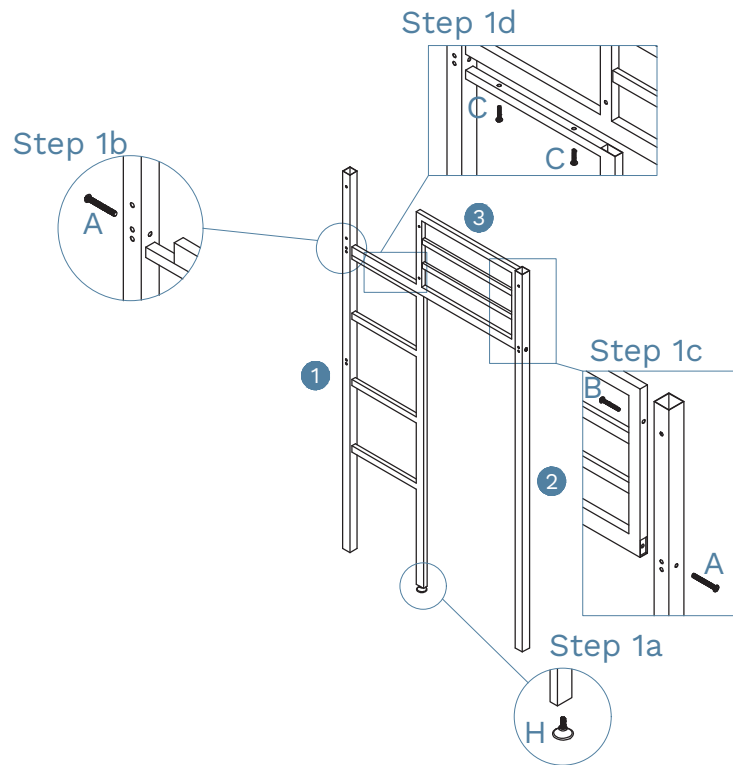
WARNING: THE UPPER BUNK MUST BE MORE THAN 2 METERS FROM ANY CEILING FAN.

Lacie Metal Loft Bed with Desk



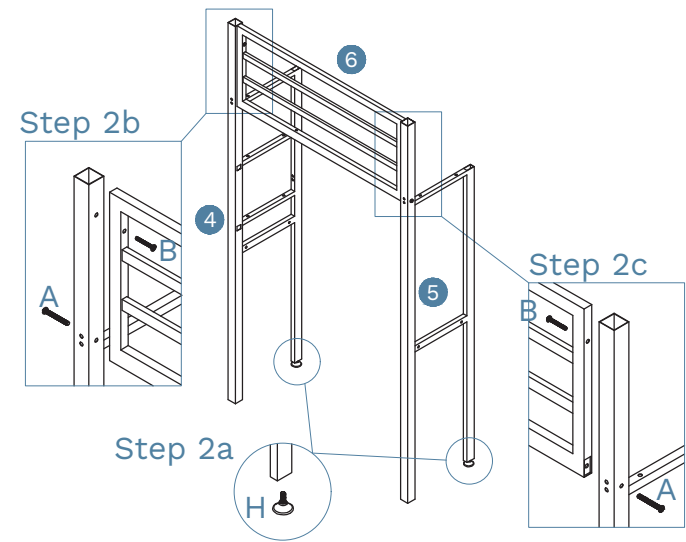
Lacie Metal Loft Bed with Desk

1



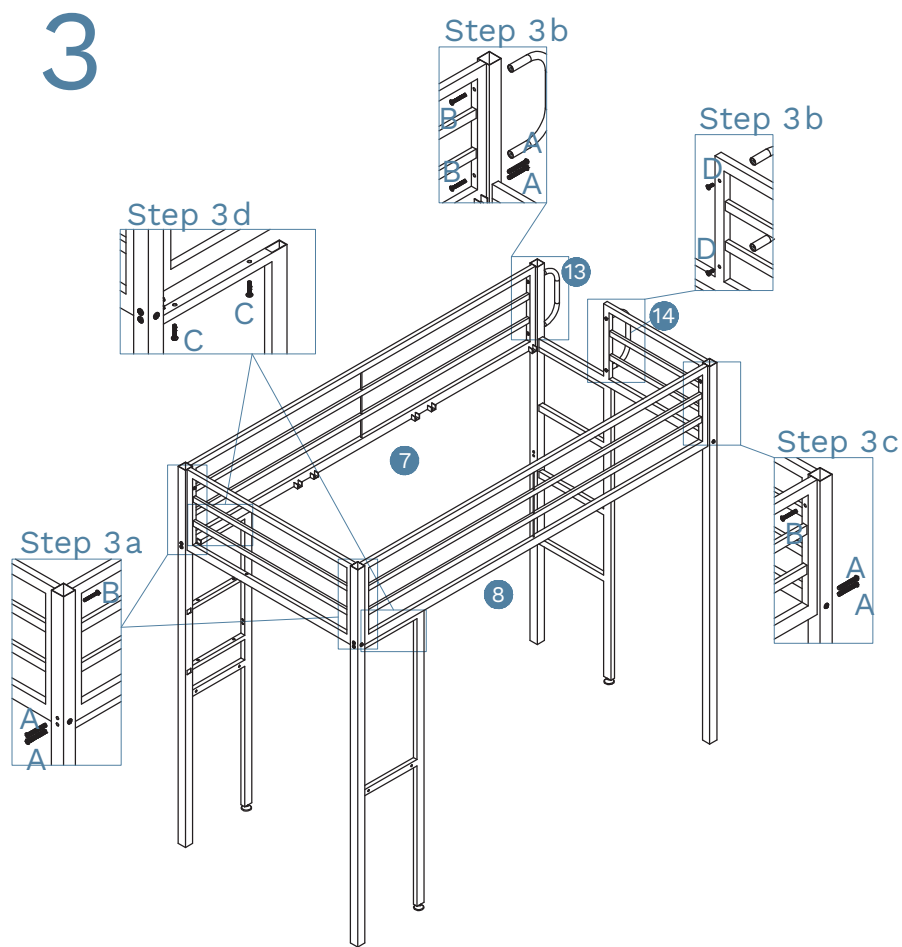
- Step 1a:** Attach 1 x adjustable feet (H) into panel as shown.
- Step 1b:** Attach 1 x bolt (A) into panel (1) as shown.
- Step 1c:** Attach 1 x bolt (A) and 1 x bolt (B) into panel as shown.
- Step 1d:** Attach 2 x bolts (C) into panel as shown.

2

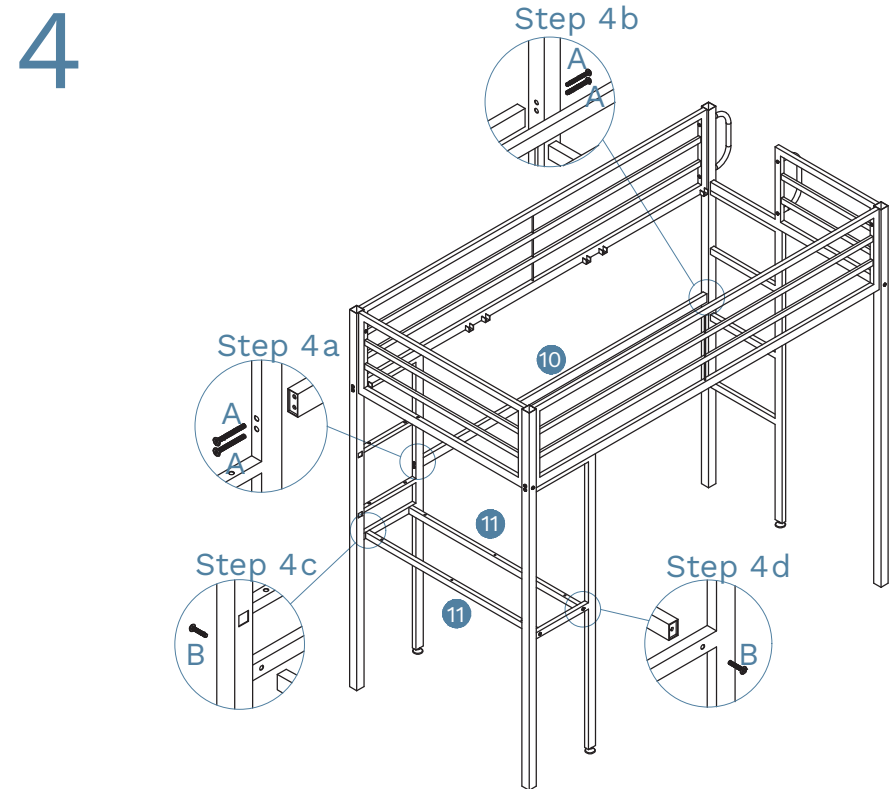


- Step 2a:** Attach 1 x adjustable feet (H) into panel as shown.
- Step 2b:** Attach 1 x bolt (A) and 1 x bolt (B) into panel as shown.
- Step 2c:** Attach 1 x bolt (A) and 1 x bolt (B) into panel as shown.

Lacie Metal Loft Bed with Desk



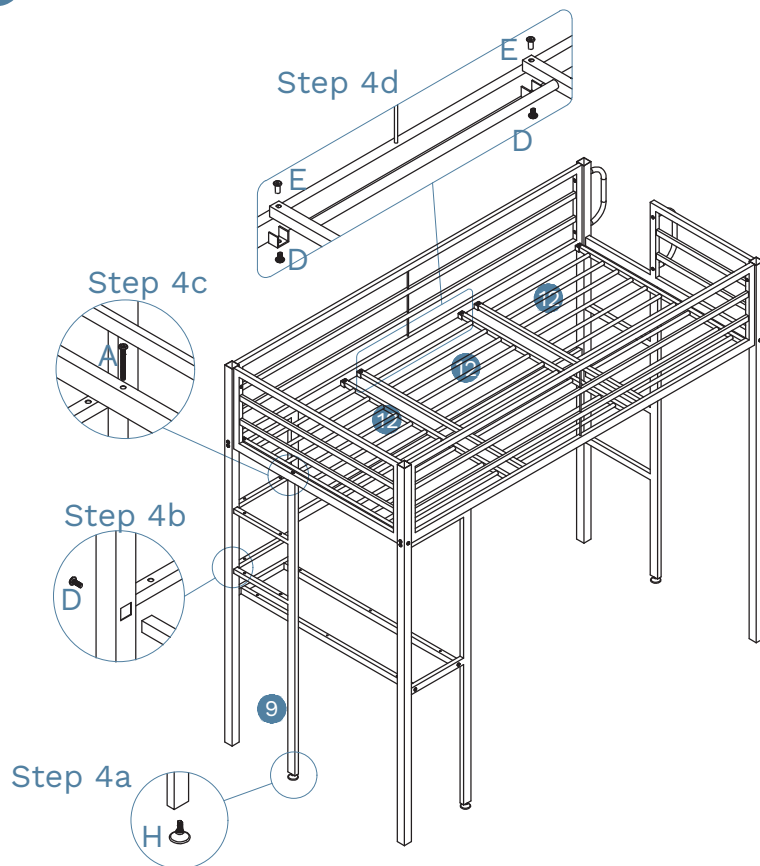
- Step 3a:** Attach 2 x bolts (A) and 1 x bolt (B) into panel as shown.
- Step 3b:** Attach 2 x bolts (A), 2 x bolts (B) and 2 x bolts (D) into panels as shown.
- Step 3c:** Attach 2 x bolts (A) and 1 x bolt (B) into panel as shown.
- Step 3d:** Attach 2 x bolts (C) into panel as shown.



- Step 4a:** Attach 2 x bolts (A) into panel as shown.
- Step 4b:** Attach 2 x bolts (A) into panel as shown.
- Step 4c:** Attach 1 x bolt (B) into panel as shown.
- Step 4d:** Attach 1 x bolt (B) into panel as shown.

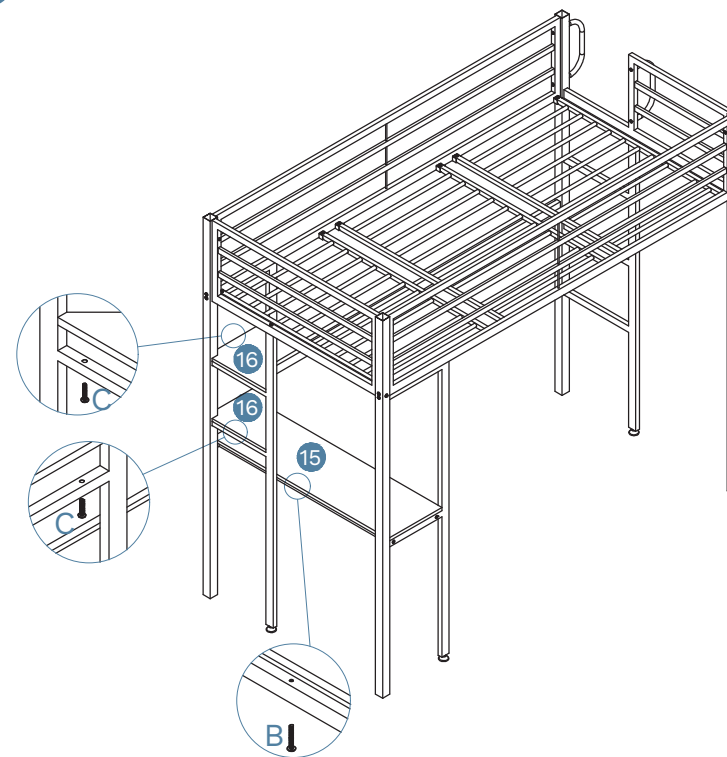
Lacie Metal Loft Bed with Desk

5



- Step 4a:** Attach 1 x adjustable feet (H) into panel as shown.
- Step 4b:** Attach 1 x bolt (D) into panel as shown.
- Step 4c:** Attach 1 x bolt (A) into panel as shown.
- Step 4d:** Attach 2 x bolts (D) and 2 x bolts (E) into panel as shown.

6



Attach 1 x bolt (B) to panel (15) and 2 x bolts (C) to panels (16) as shown. Once assembled lift furniture into place, do not drag. Ensure unit is balanced and steady before use. You're done, enjoy!



Love it for longer.

Remove all liquid and food spills immediately ONLY with a clean, damp, undyed white cloth.
Do NOT use abrasives or common household detergents.



Caring for our world.

In the interest of our environment, please dispose of all packaging thoughtfully.



Good news, you're all done!

Love it and share it on Instagram by tagging

 @mockaaustralia | @mockanz