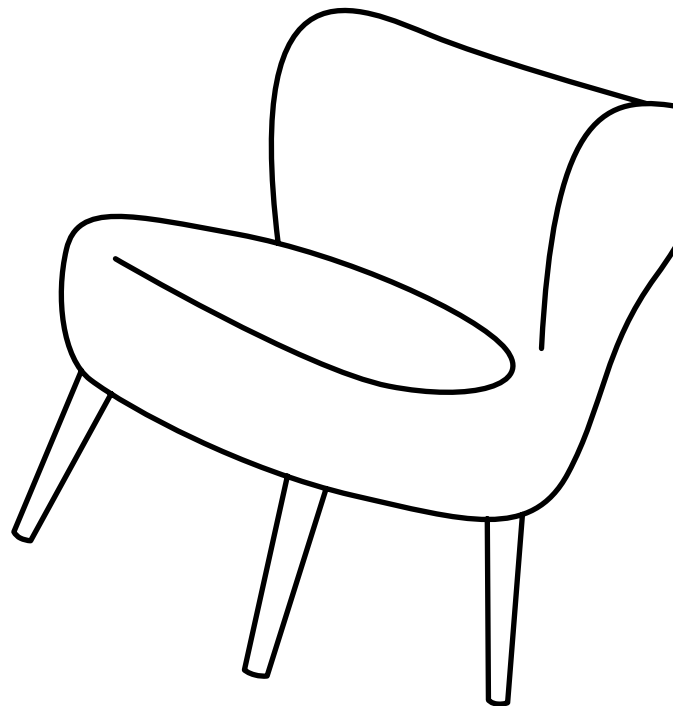
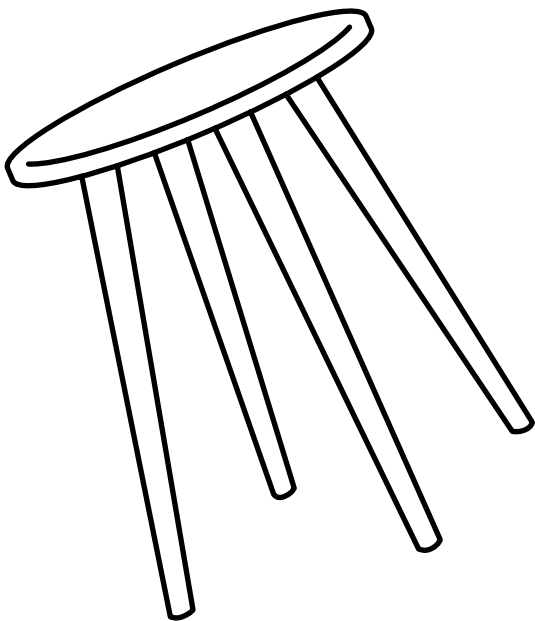


# Hello, I've arrived!

Now that I'm here you are only one flat-pack away from transforming your home.



**Mocka.**

# Thank you for supporting us.

We believe design belongs to everyone. From materials and processes to safety testing, production and delivery, we are passionate and committed to bringing you the best possible product so you can create beautifully functional spaces to feel comfortably you.

## Here are a few assembly tips before you get started:



### Make Time

The first step to all seamless assembly is taking a moment to carefully read through the instructions—you are already on your way to creating a beautifully functional space!



### Set The Mood

Put on your favourite playlist, order that pizza and pour yourself a drink to get in the mood!



### Tool Check

Layout the instructions, screws and panels to check you have everything you need. A blanket or soft floor rug will help protect your new favourite item from scratches and a drill will speed up the assembly too!



### Room Reveal

You did it! Take a step back and enjoy the moment. Don't forget to recycle any packaging and share a pic of your room reveal—we love seeing how you transform your home! **Tag us @mockaaustralia/@mockaanz**

Happy flat-packing!

*The Mocka Team*

**Need help?** Our Support Team are available via live chat, email or phone. Visit our website for details.

#### AUSTRALIA

+61 7 3184 8466

Our phone lines are available  
weekdays 9am to 5pm AEST



#### NEW ZEALAND

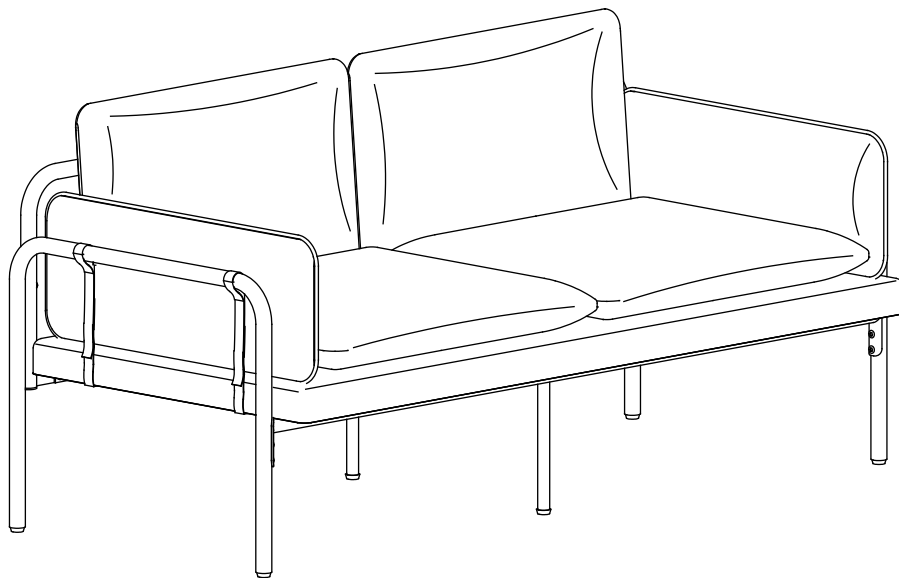
+64 3 384 1858

Our phone lines are available  
weekdays 9am to 5pm NZT

# Hubert

## Two Seater Sofa

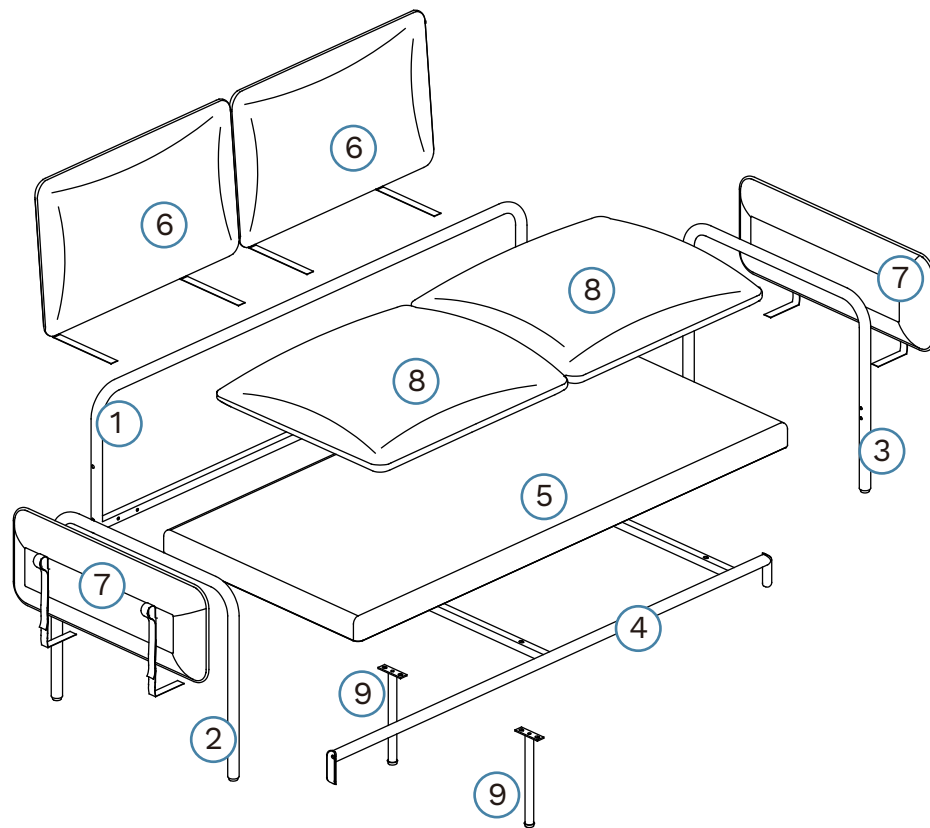
Thank you for your purchase. Please follow the instructions for correct assembly. While we took great effort to ensure these assembly instructions were correct at the time of printing, sometimes updates are required post production. For the most up to date versions please refer to the product page on our website. [mocka.com.au/mocka.co.nz](http://mocka.com.au/mocka.co.nz)



# Hubert

Two Seater Sofa

## Panel Layout



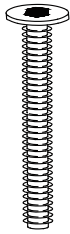
## Partlist

①	Back Frame	x1
②	Left Leg Frame	x1
③	Right Leg Frame	x1
④	Seat Frame	x1
⑤	Seat Cushion	x1
⑥	Back Cushion	x2
⑦	Armrest	x2
⑧	Soft Cushion	x2
⑨	Support Leg	x2

# Hubert

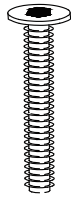
Two Seater Sofa

A



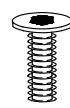
4x  
bolt

B



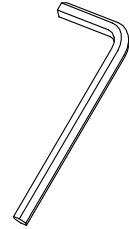
6x  
bolt

C



12x  
bolt

D



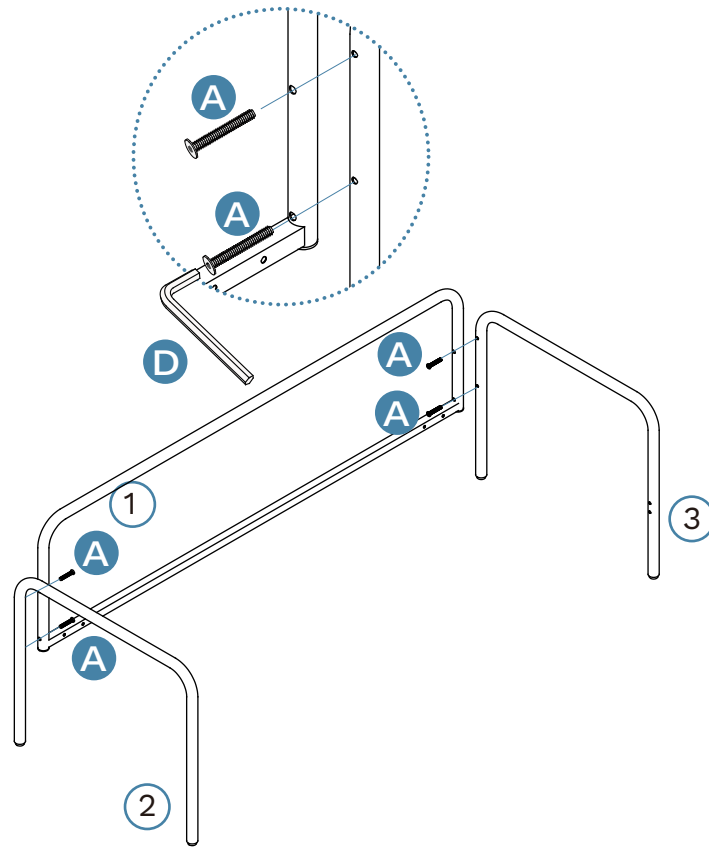
1x  
allen key

HARDWARE SUPPLIED

# Hubert

Two Seater Sofa

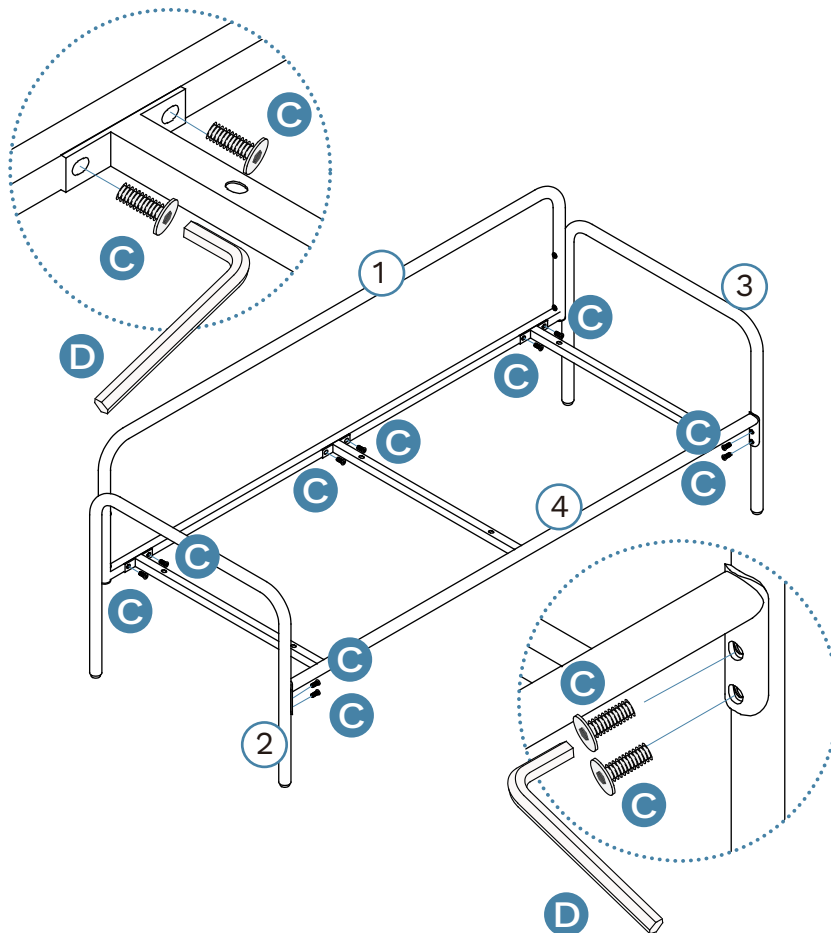
1



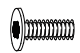
Hardware Needed

A		x4
---	---	----

2



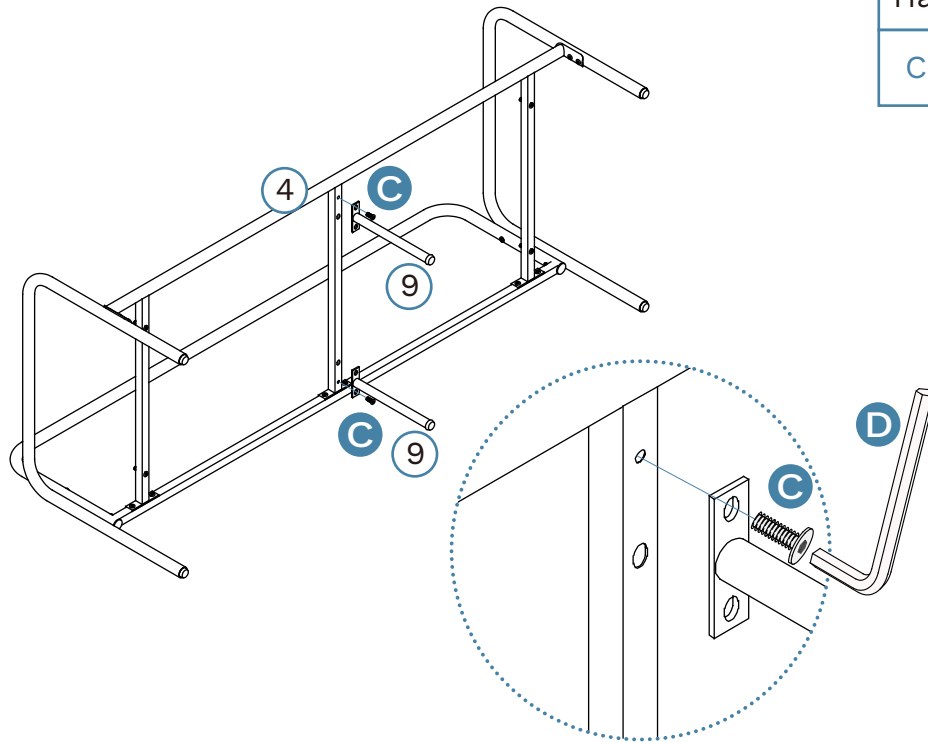
Hardware Needed

C		x10
---	---	-----


# Hubert

## Two Seater Sofa

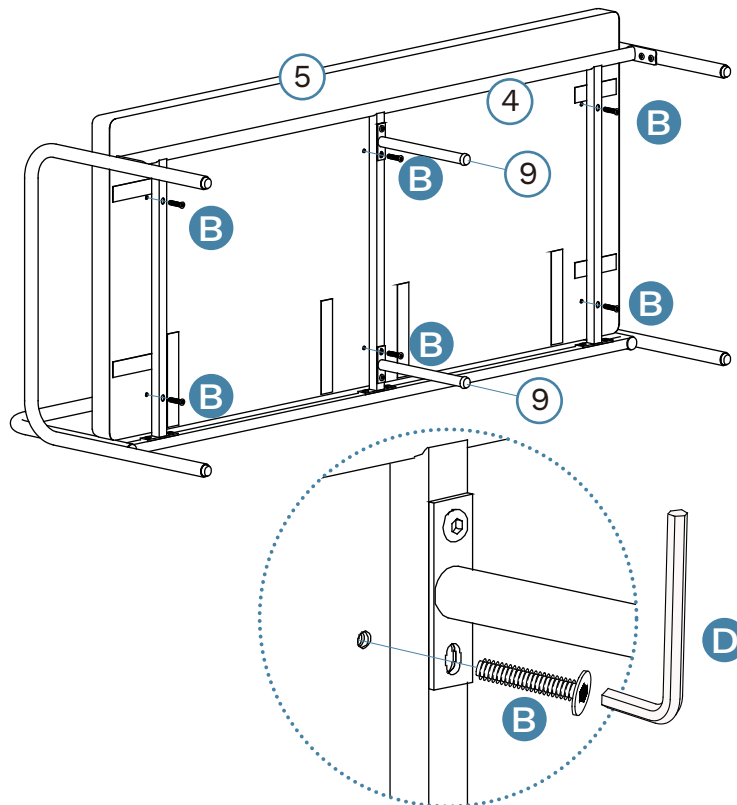
3



Hardware Needed

C		x2
---	---	----

4



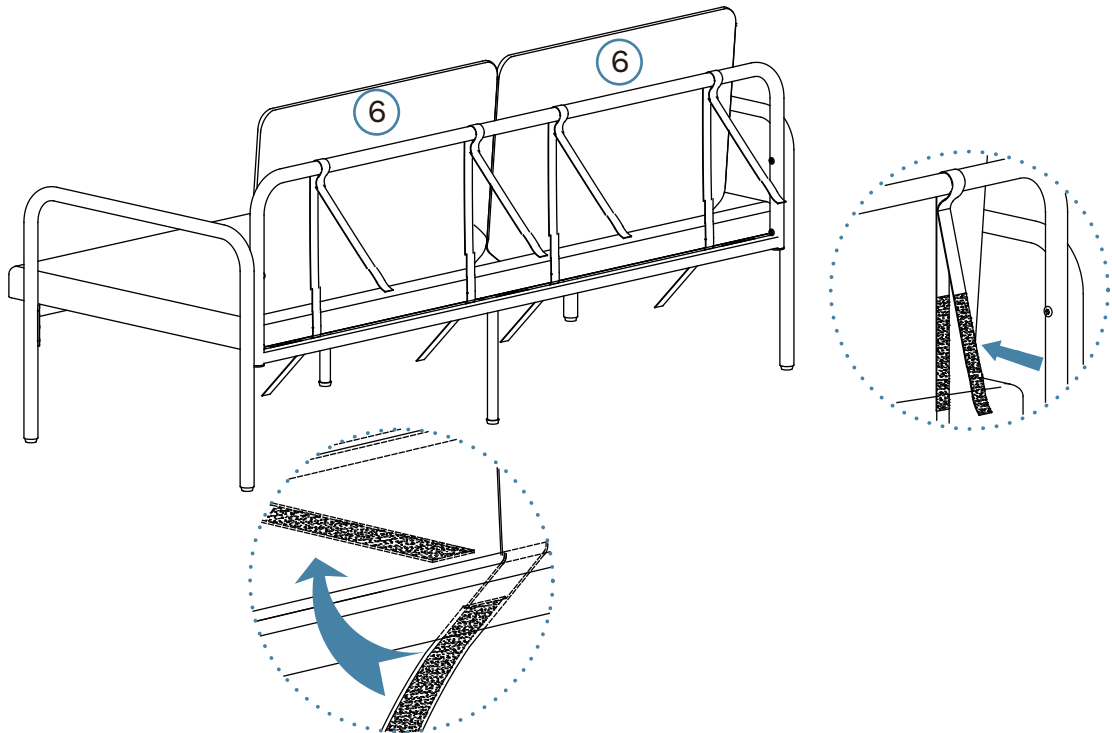
Hardware Needed

B		x6
---	---	----

# Hubert

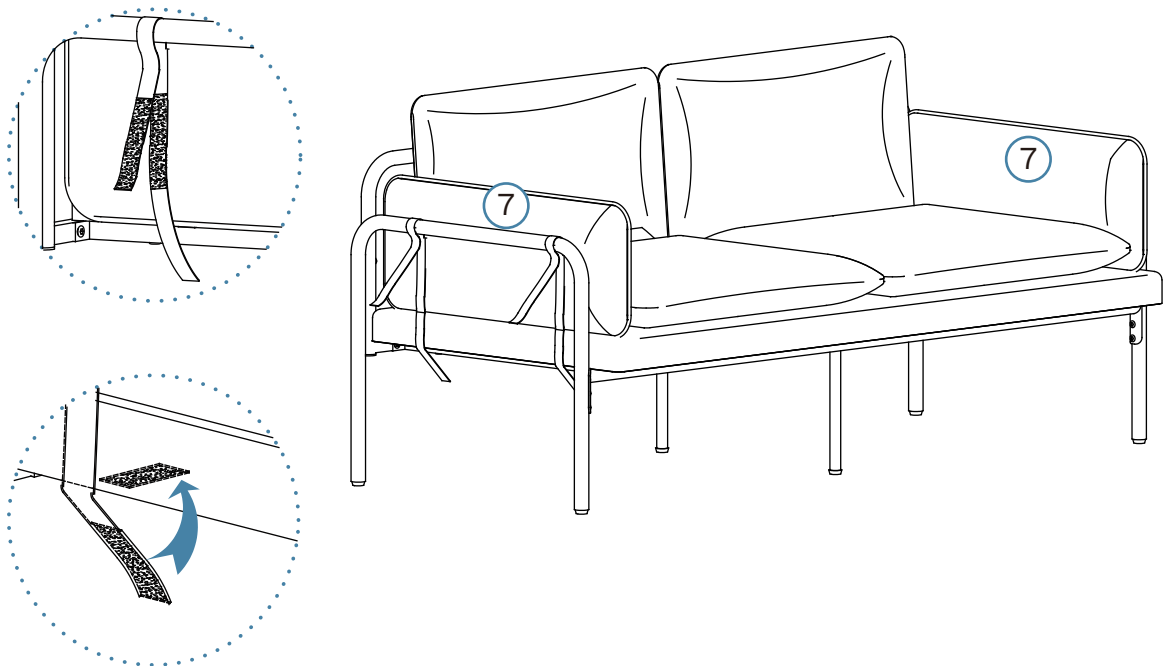
Two Seater Sofa

5



Place the Back Cushion [6] in the appropriate position and tape it properly, as shown.

6



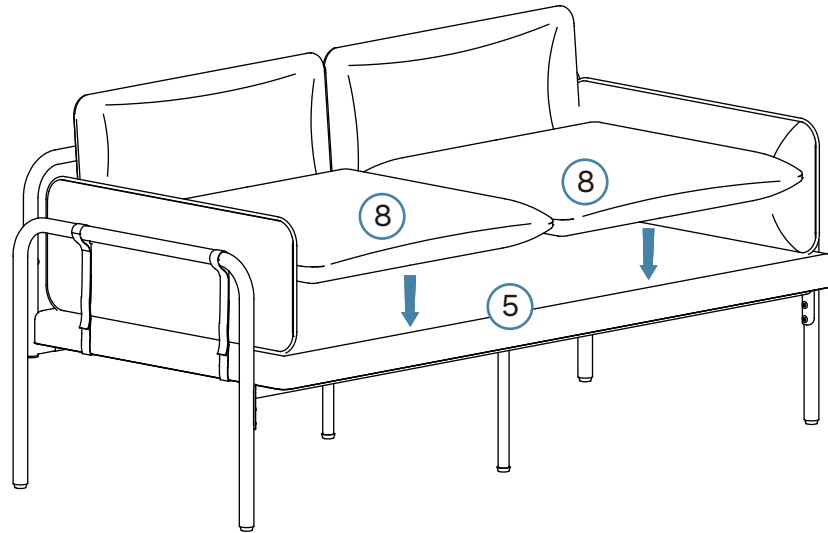
Place the Armrests [7] in the appropriate position and tape it properly, as shown.



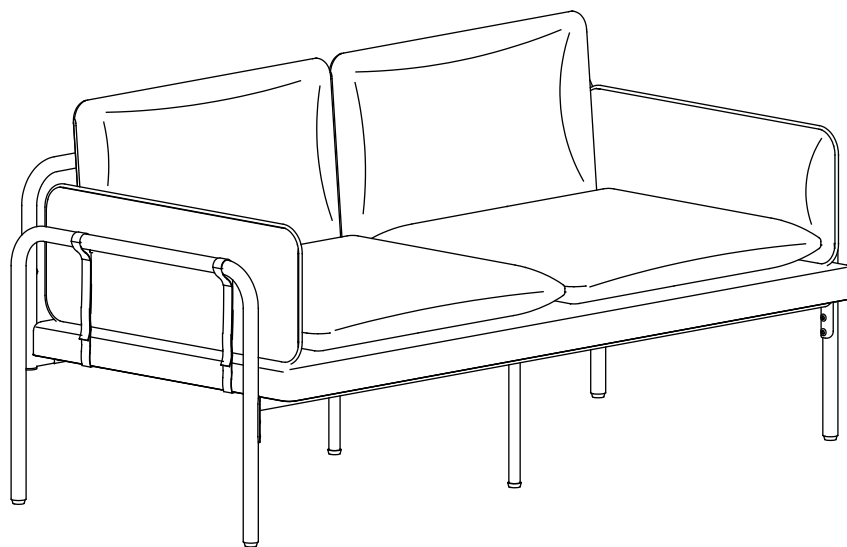
# Hubert

Two Seater Sofa

7



8



You're done, enjoy!



## Love it for longer.

Remove all liquid and food spills immediately ONLY with a clean, damp, undyed white cloth.  
Do NOT use abrasives or common household detergents.



## Caring for our world.

In the interest of our environment, please dispose of all packaging thoughtfully.



## Good news, you're all done!

Love it and share it on Instagram by tagging

 @mockaaustralia | @mockanz