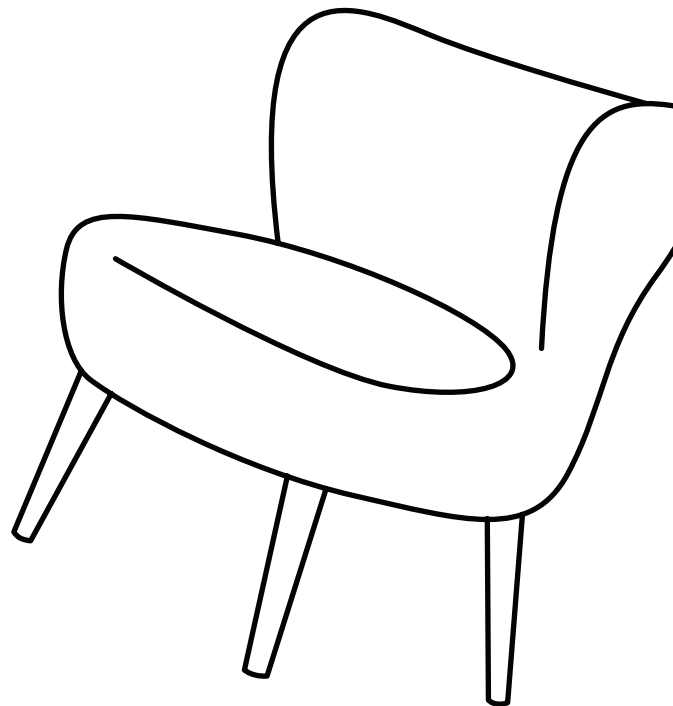
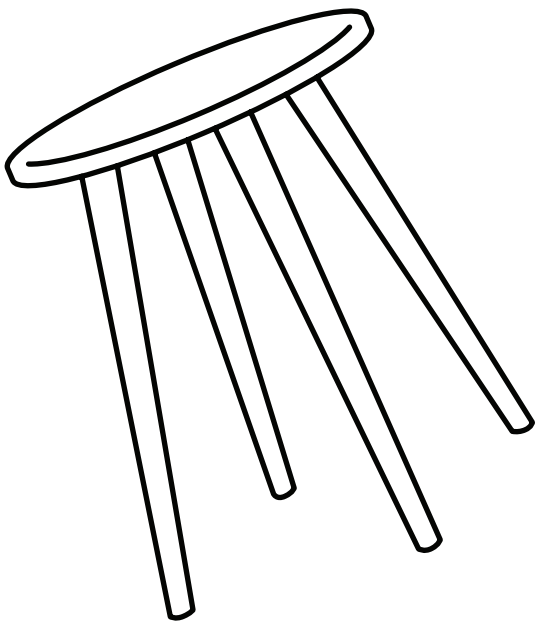


Hello, I've arrived!

Now that I'm here you are only one
flat-pack away from transforming
your home.



Mocka.

Thank you for supporting us.

We believe design belongs to everyone. From materials and processes to safety testing, production and delivery, we are passionate and committed to bringing you the best possible product so you can create beautifully functional spaces to feel comfortably you.

Here are a few assembly tips before you get started:



Make Time

The first step to all seamless assembly is taking a moment to carefully read through the instructions—you are already on your way to creating a beautifully functional space!



Set The Mood

Put on your favourite playlist, order that pizza and pour yourself a drink to get in the mood!



Tool Check

Layout the instructions, screws and panels to check you have everything you need. A blanket or soft floor rug will help protect your new favourite item from scratches and a drill will speed up the assembly too!



Room Reveal

You did it! Take a step back and enjoy the moment. Don't forget to recycle any packaging and share a pic of your room reveal—we love seeing how you transform your home! **Tag us @mockaaustralia/@mockaanz**

Happy flat-packing!

The Mocka Team

Need help? Our Support Team are available via live chat, email or phone. Visit our website for details.

AUSTRALIA

+61 7 3184 8466

Our phone lines are available
weekdays 9am to 5pm AEST



NEW ZEALAND

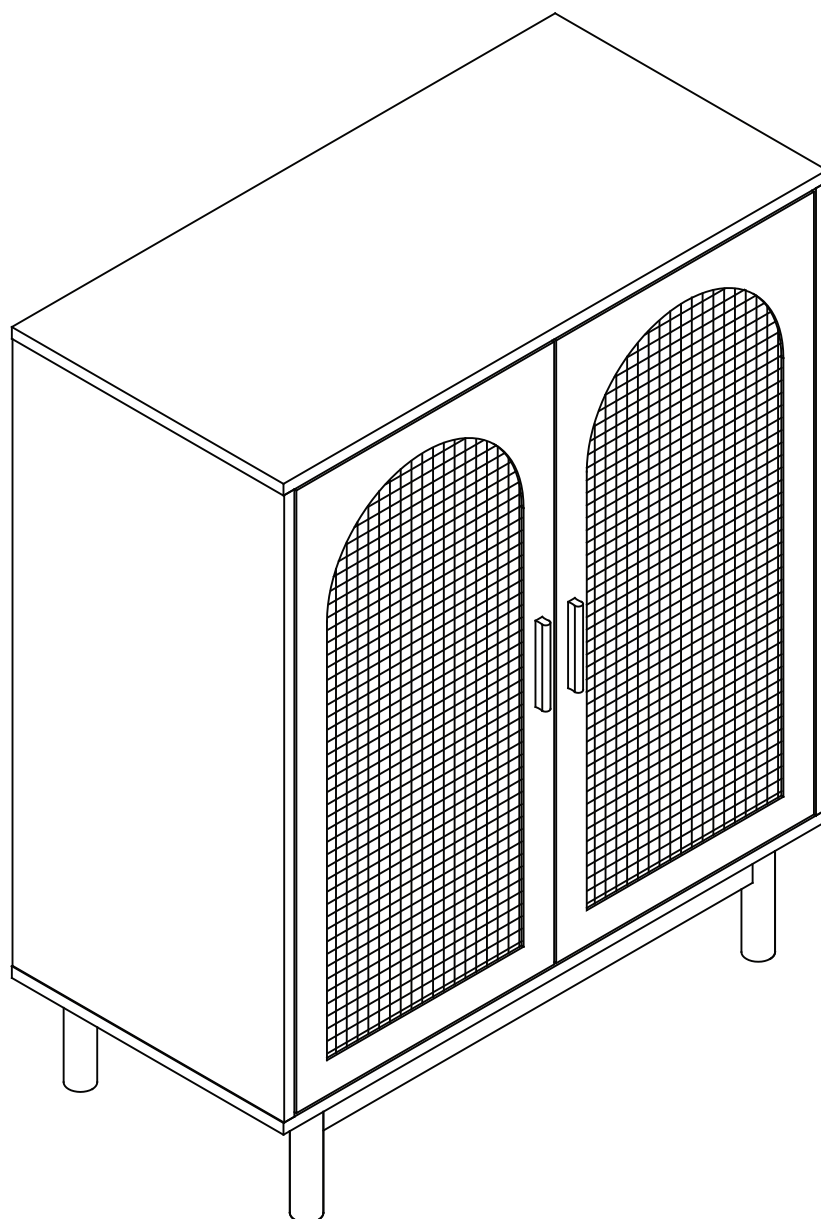
+64 3 384 1858

Our phone lines are available
weekdays 9am to 5pm NZT

Canyon

Two Door Cabinet

Thank you for your purchase. Please follow the instructions for correct assembly. While we took great effort to ensure these assembly instructions were correct at the time of printing, sometimes updates are required post production. For the most up to date versions please refer to the product page on our website. mocka.com.au/mocka.co.nz



WARNING

Children have died from furniture toppling over.

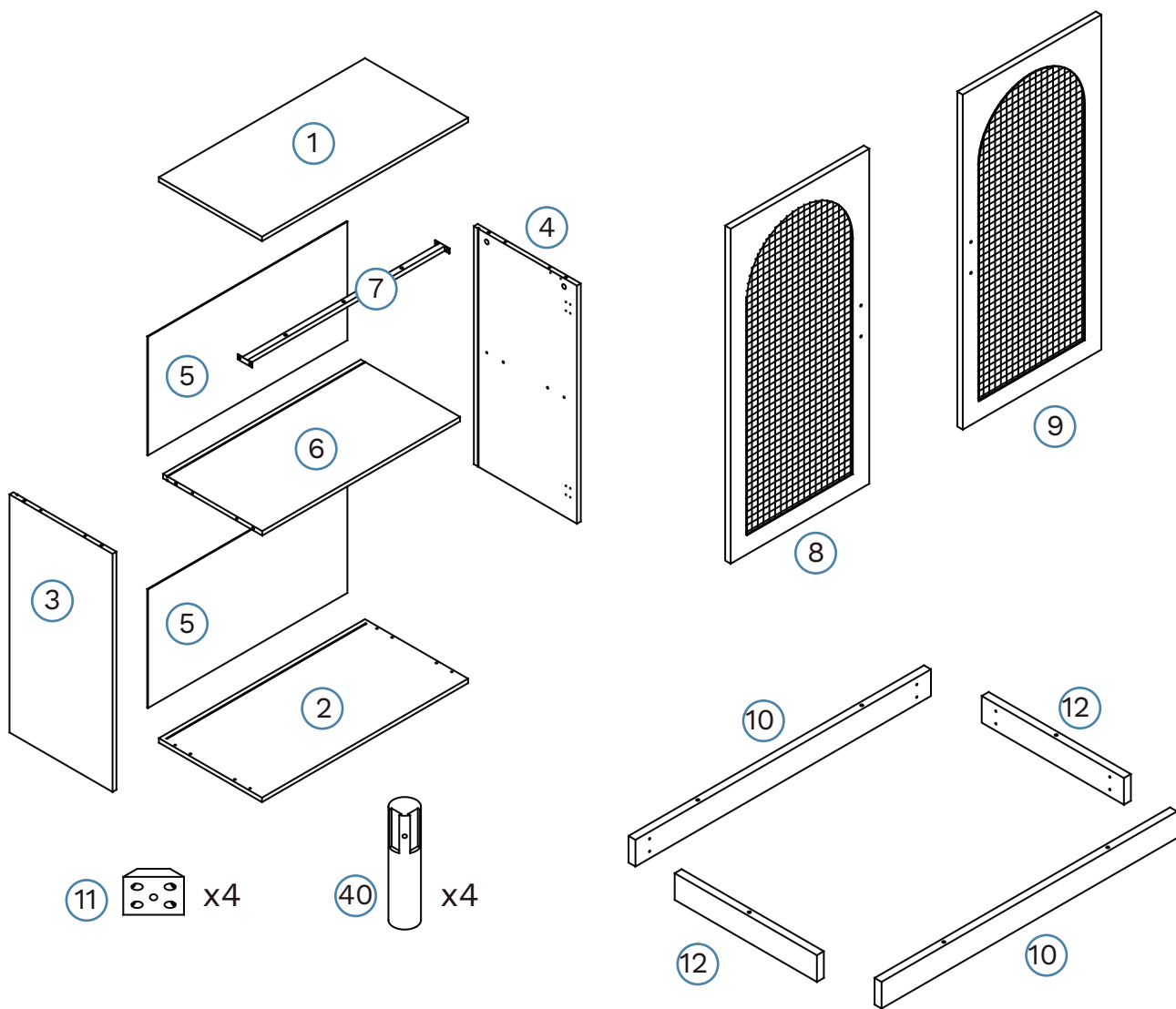
- **ALWAYS** secure this furniture with an anchor device.
- **NEVER** allow children to stand, climb or hang on drawers, doors or shelves.
- **ALWAYS** secure your television with an anchor device



Canyon







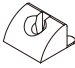







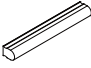
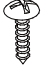
Two Door Cabinet

Panel Layout



Canyon

Two Door Cabinet

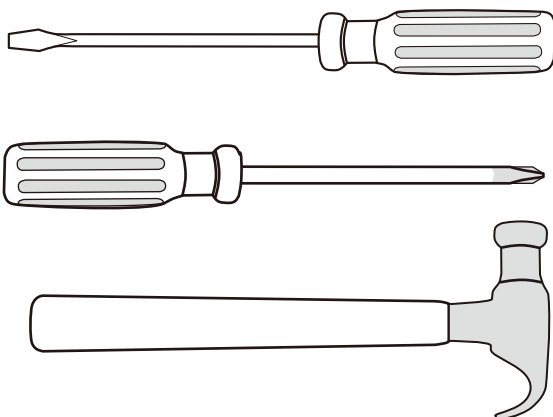
A  dowel x12	B  screw x13	C  bolt x8	D  locking nut x8	E  hinge screw x24	F  bolt x4	G  wedge x8	H  screw x8
I  Allen Key x1	J  washer x4	K  seal x4	L  plastic glide x4	M  hinge x4	N  screw x20	O  handle x2	P  screw x4

HARDWARE SUPPLIED

V  safety strap x1	W  screw x 1	X  wall anchor x 1	Y  wall screw x 1	Z  washer x 2
---	---	---	--	--

WALL STRAP

WARNING: Any furniture that is not anchored to a wall has the potential to tip over in certain circumstances, i.e. if a child attempts to climb up on the furniture or in the event of an earthquake. Accordingly, we recommend that all furniture is anchored to a wall. We supply a free safety wall anchor with all furniture sold and we recommend these are used to prevent your product tipping. The fixing device provided should fit most wall types, but please note that different wall materials may require different fixing devices from those supplied.

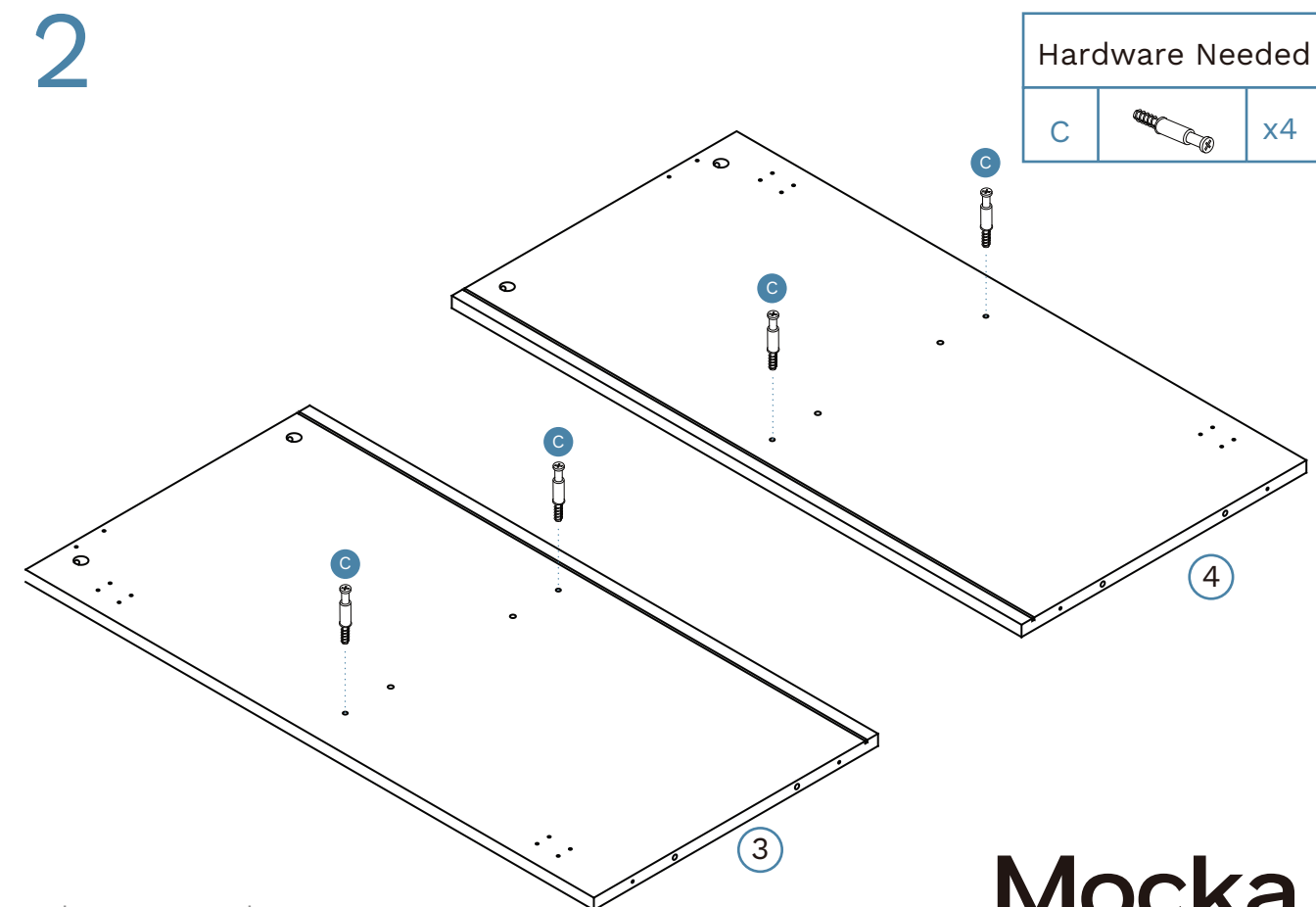
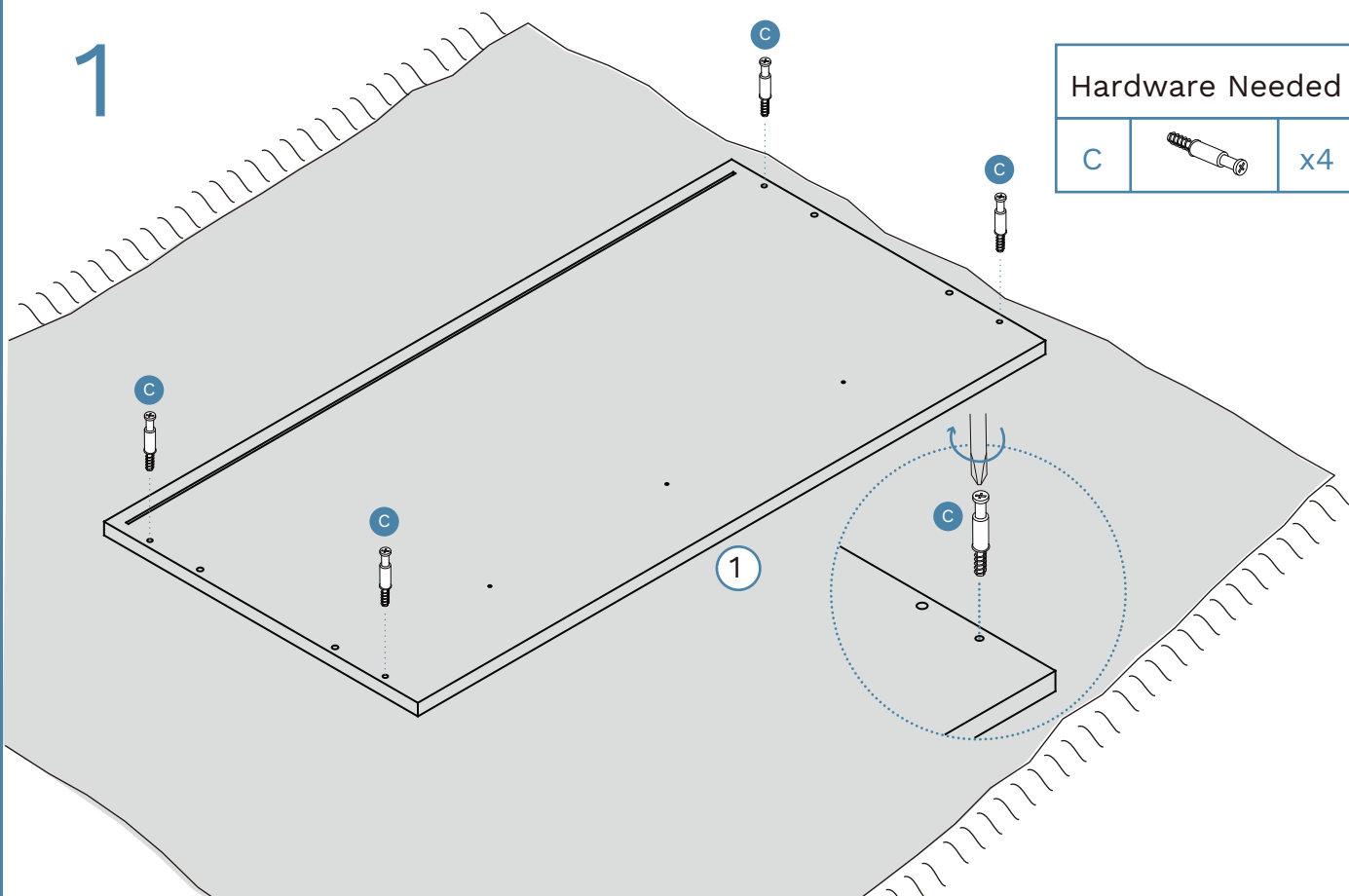


Phillips & Flathead screwdrivers
and hammer required
For quicker assembly, we recommend the
use of a power drill on a low-speed setting.

Canyon

Two Door Cabinet

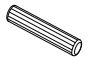

*Please assemble it on a rug or other soft surface to avoid marking.

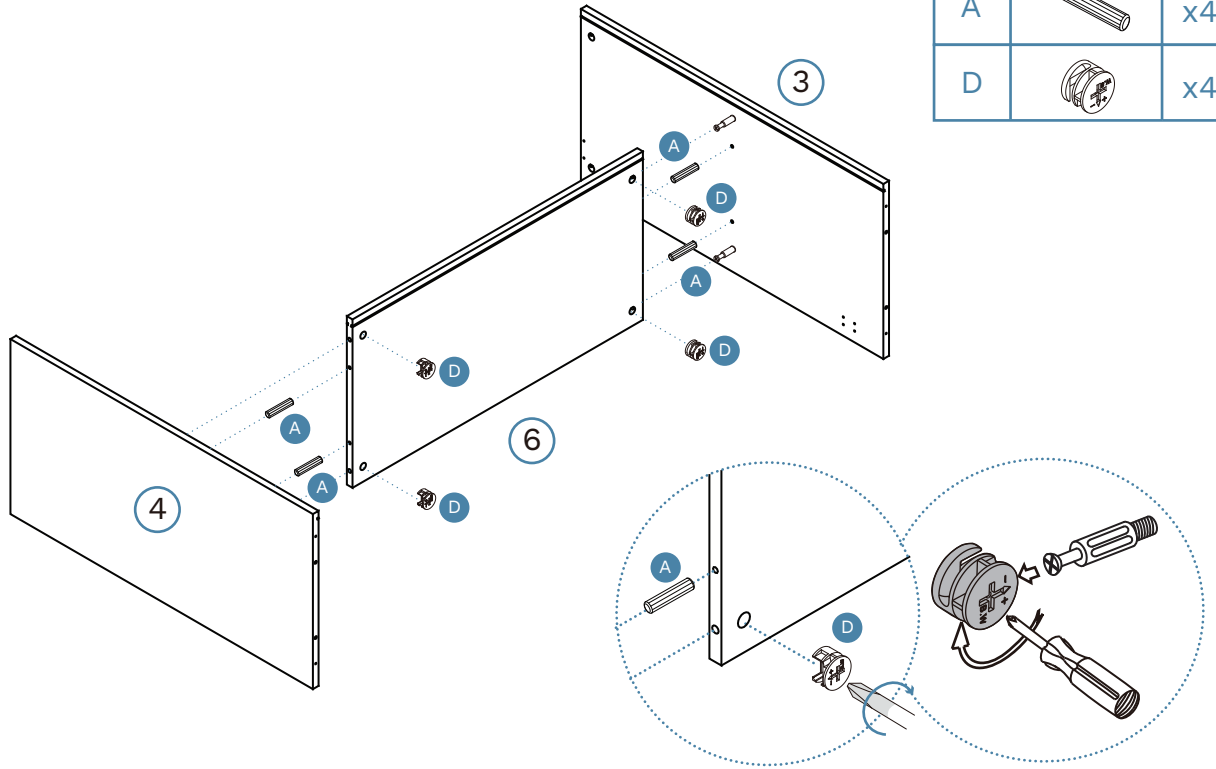


Canyon

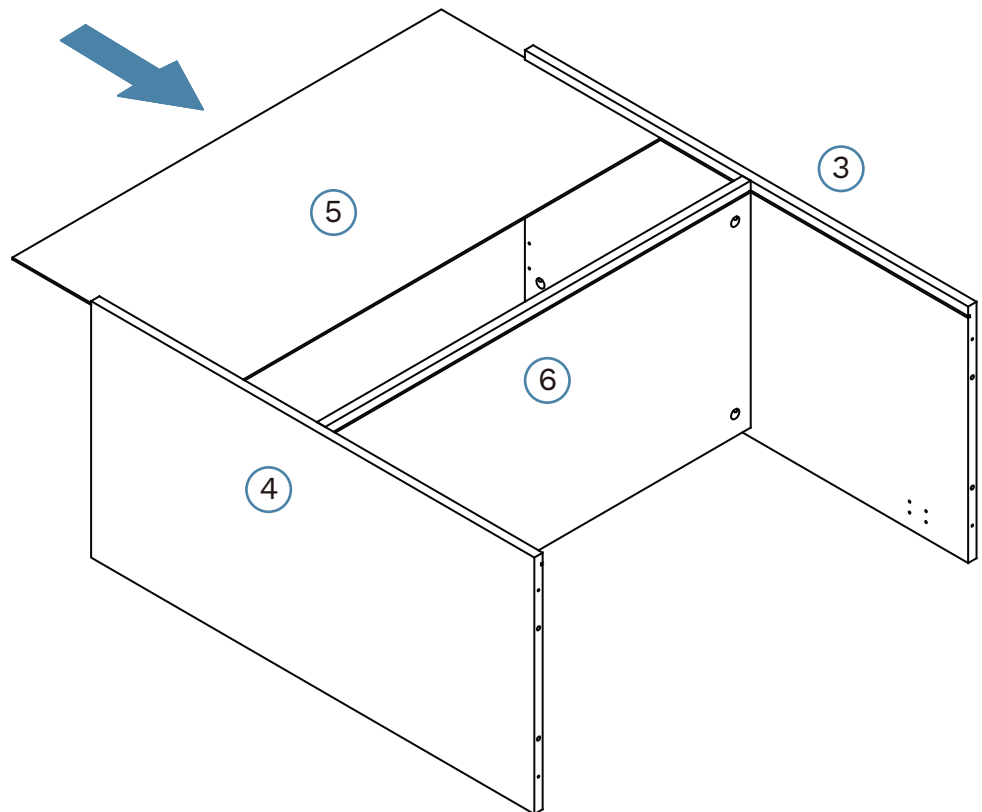
Two Door Cabinet

3

Hardware Needed		
A		x4
D		x4




4

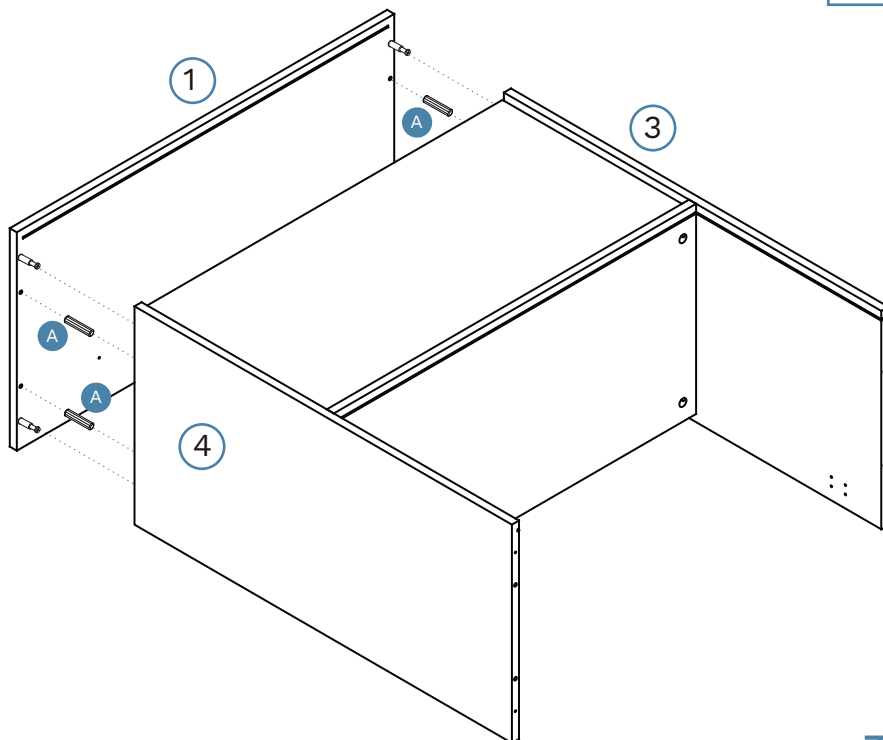


Canyon

Two Door Cabinet

5

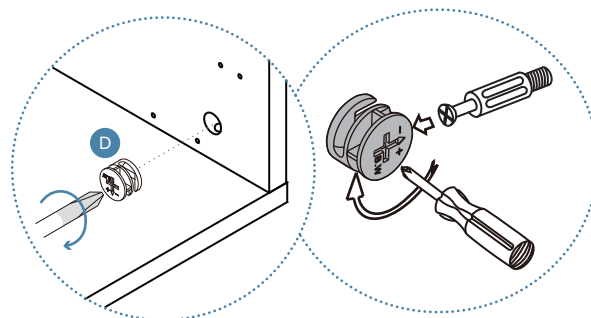
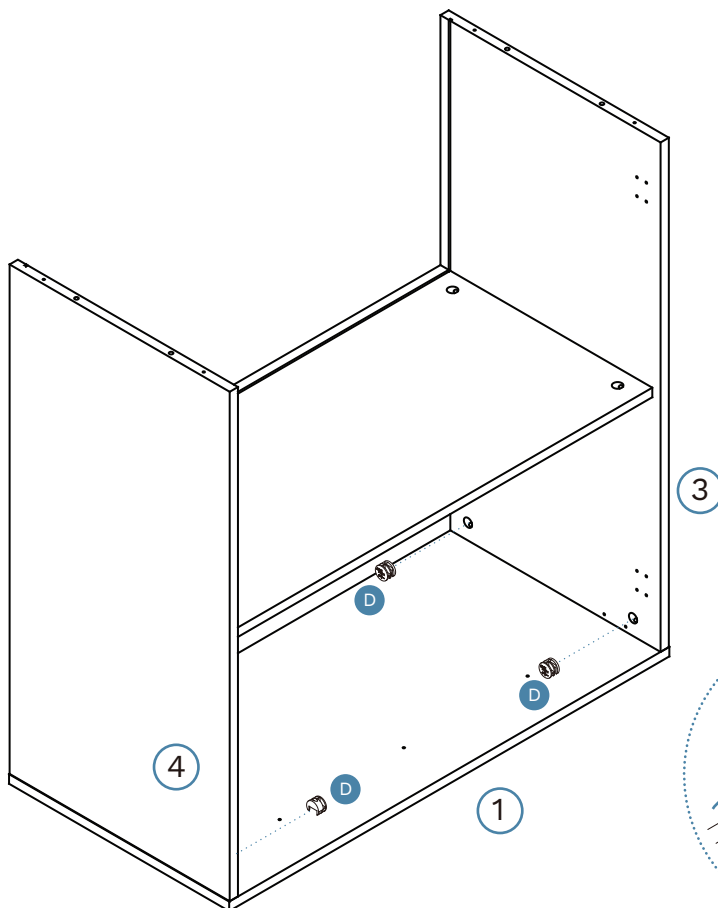
Hardware Needed		
A		x4



Turn Over

6

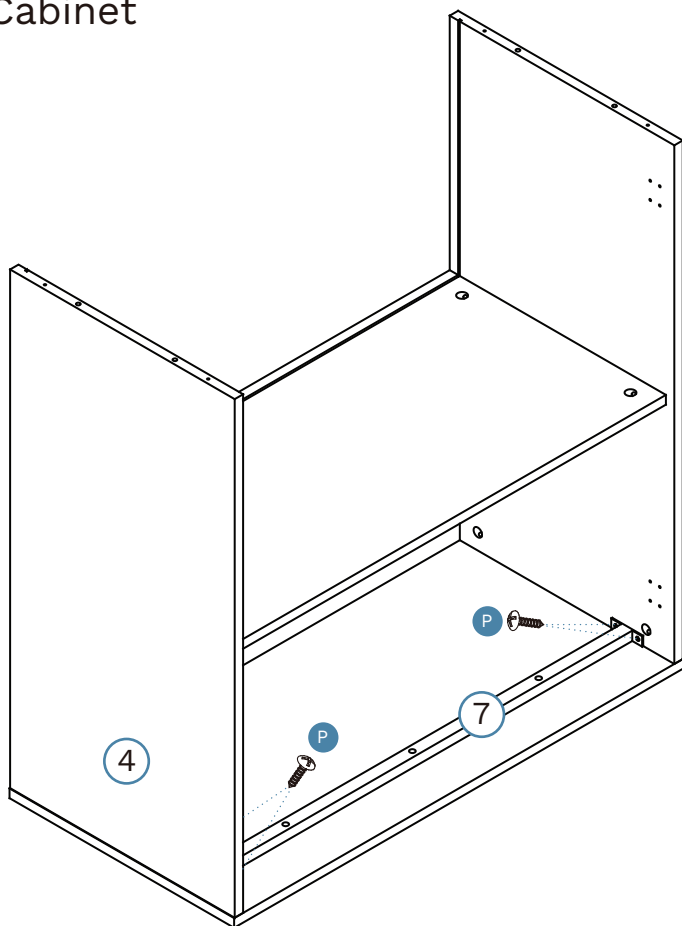
Hardware Needed		
D		x4




Canyon

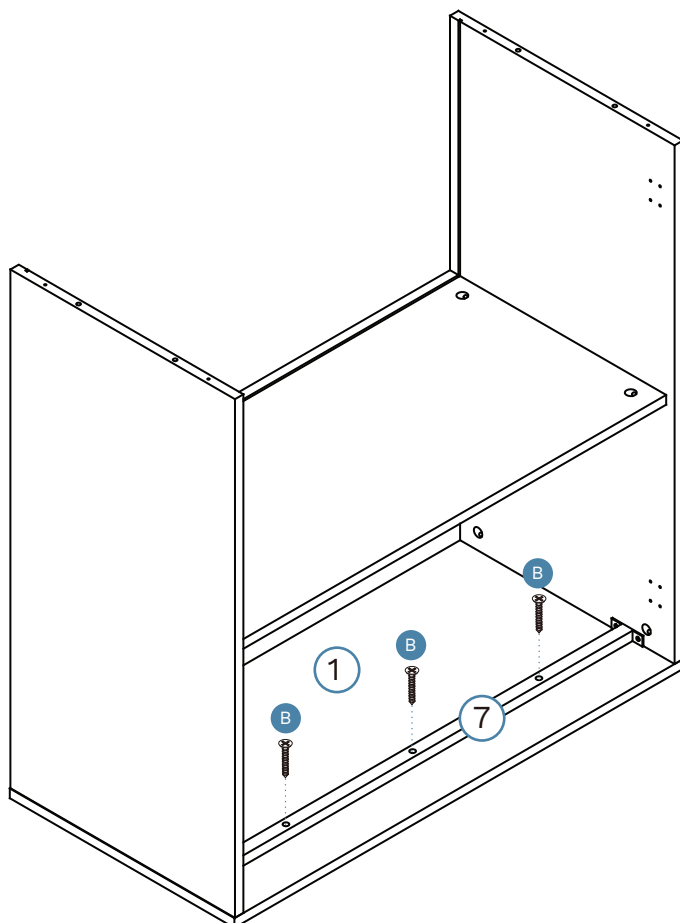
Two Door Cabinet


7



Hardware Needed		
P		x4

8

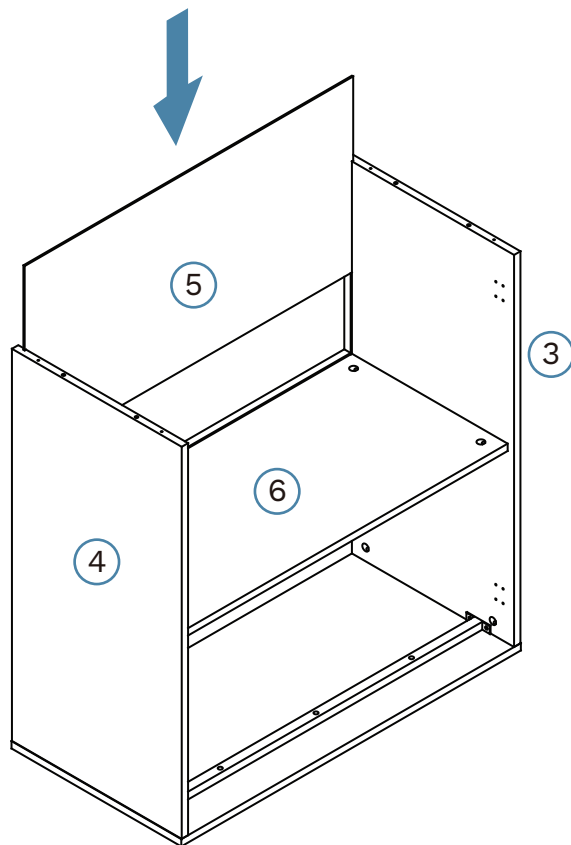


Hardware Needed		
B		x3

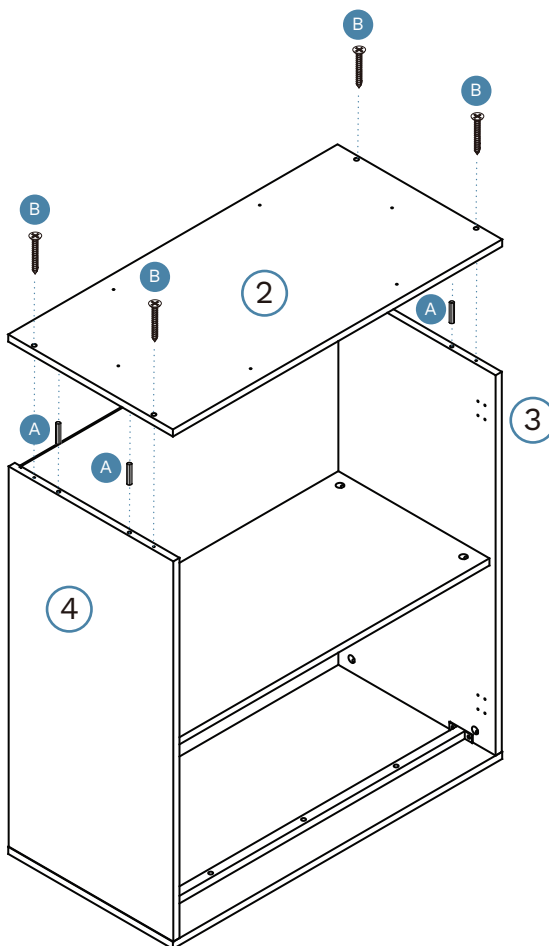
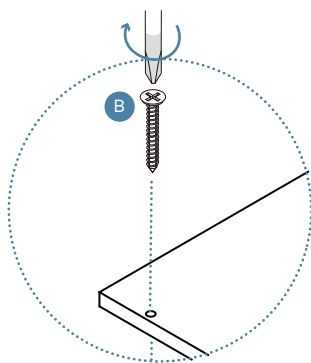
Canyon



Two Door Cabinet

9



10

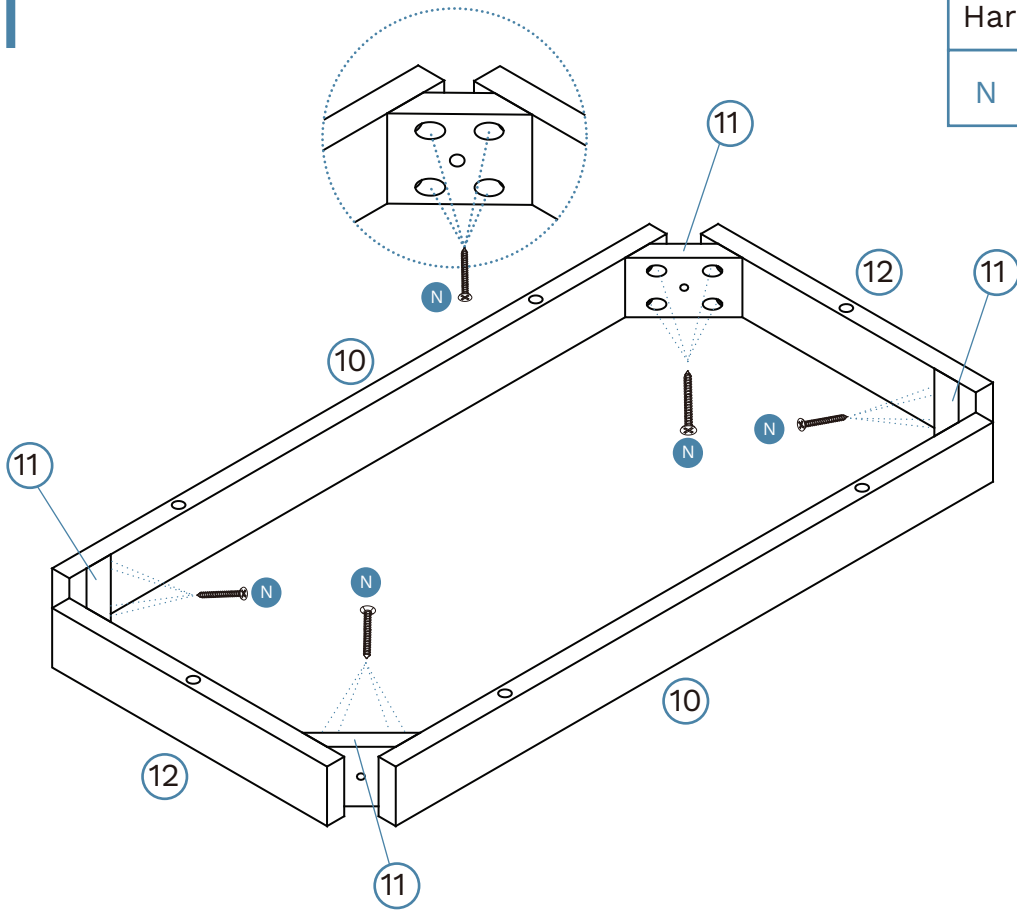



Hardware Needed		
A		x4
B		x4

Canyon

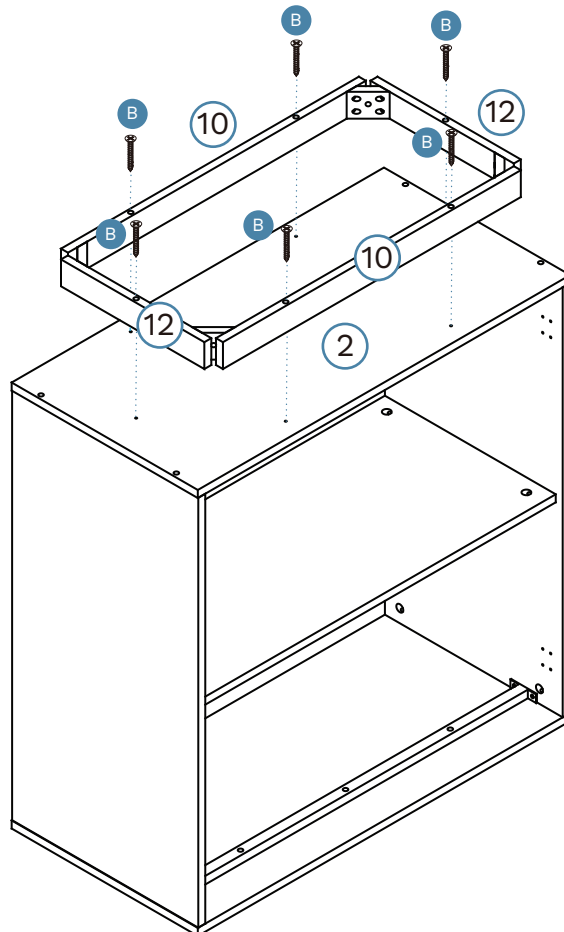
Two Door Cabinet


11



Hardware Needed		
N		x16

12

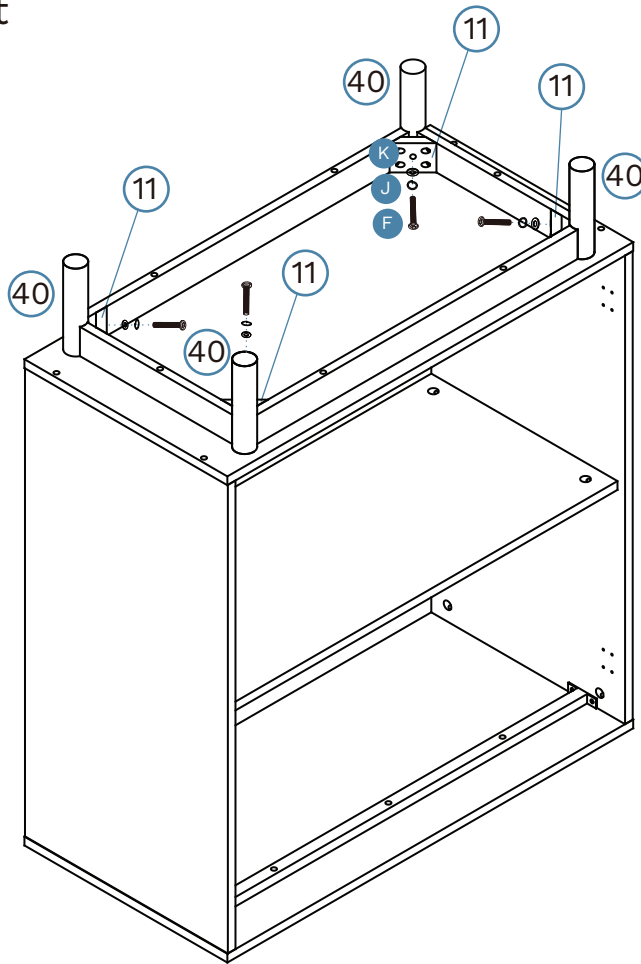
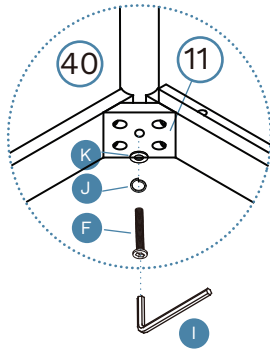






Hardware Needed		
B		x6

Canyon

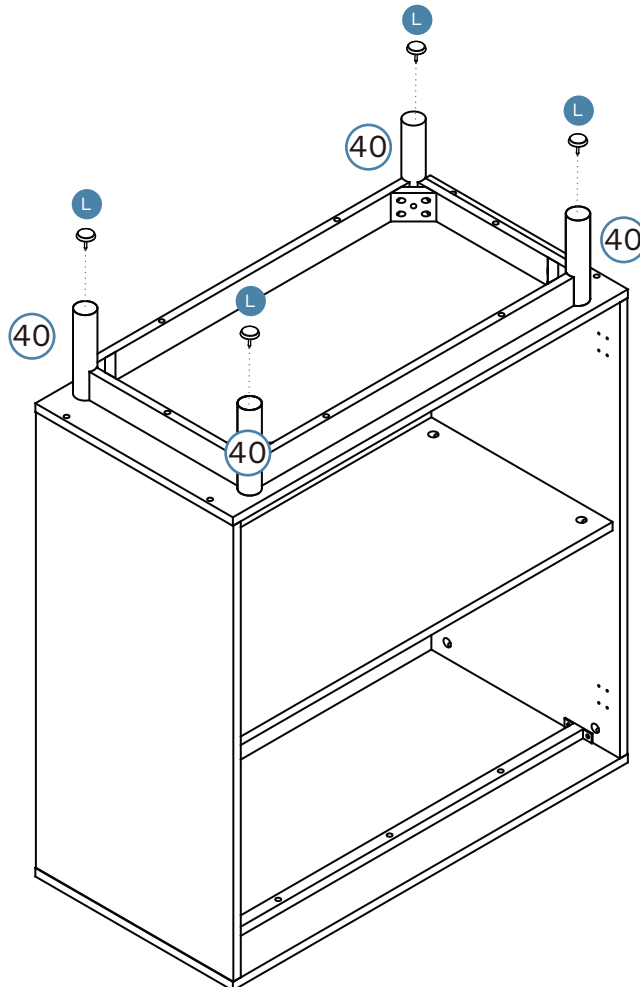
Two Door Cabinet


13

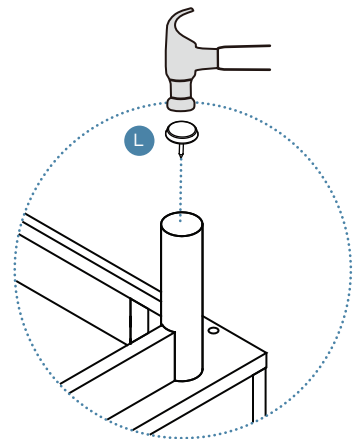


Hardware Needed		
F		x4
I		x1
J		x4
K		x4

14



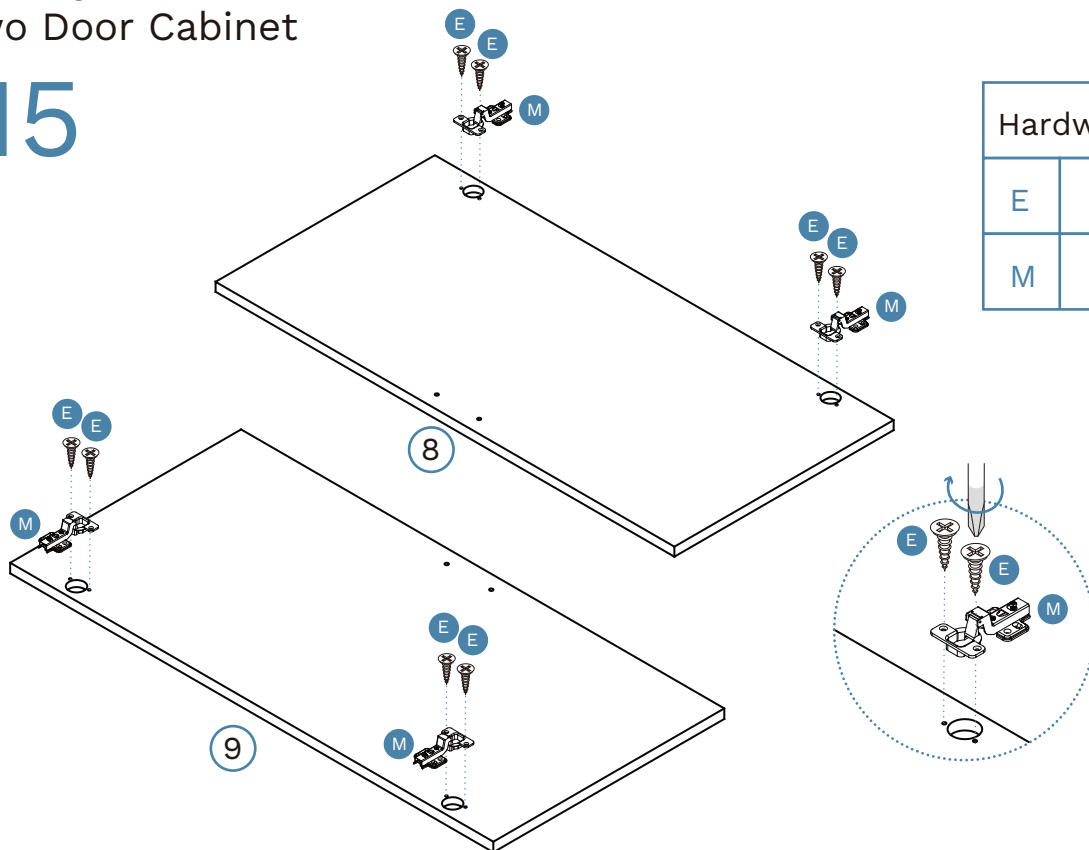
Hardware Needed		
L		x4





Canyon

Two Door Cabinet

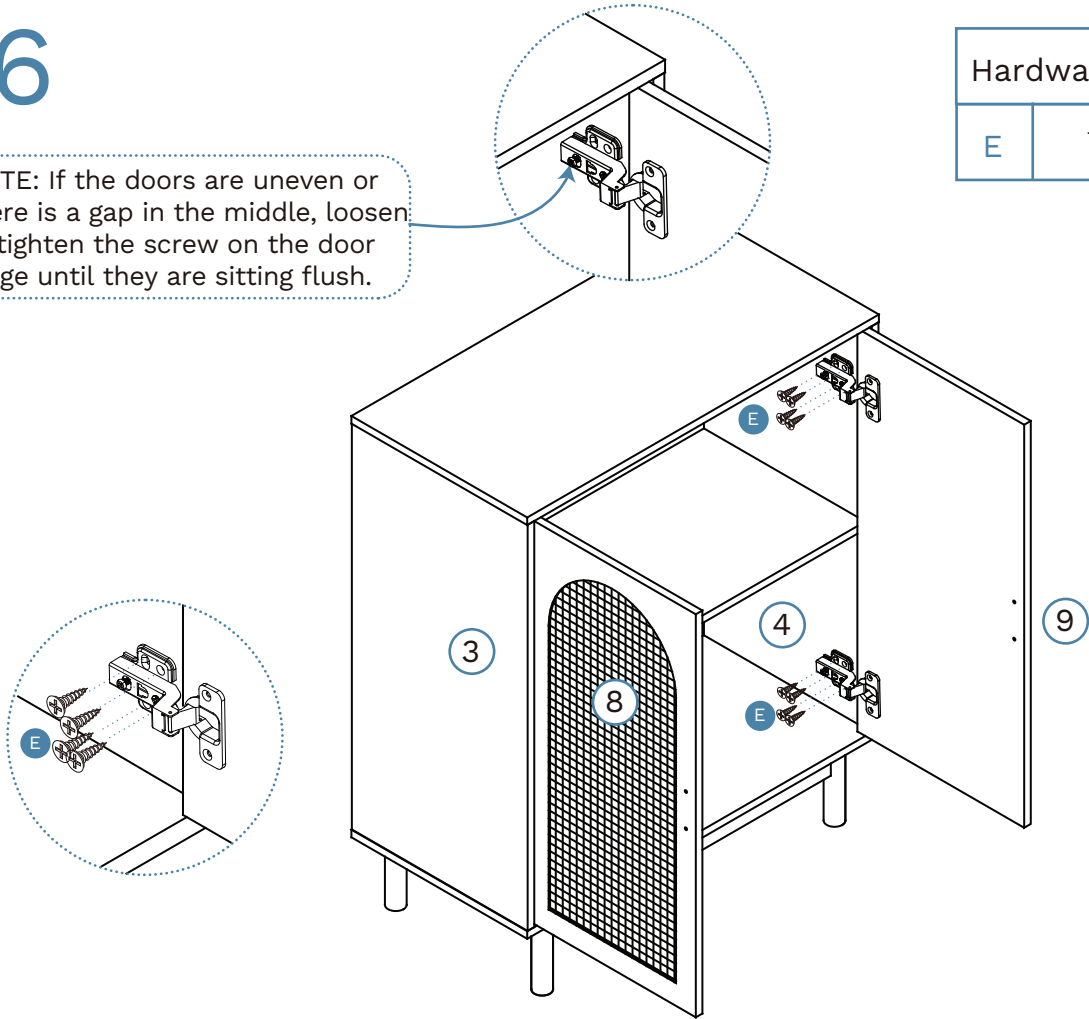
15




Hardware Needed		
E		x8
M		x4

16

NOTE: If the doors are uneven or there is a gap in the middle, loosen or tighten the screw on the door hinge until they are sitting flush.

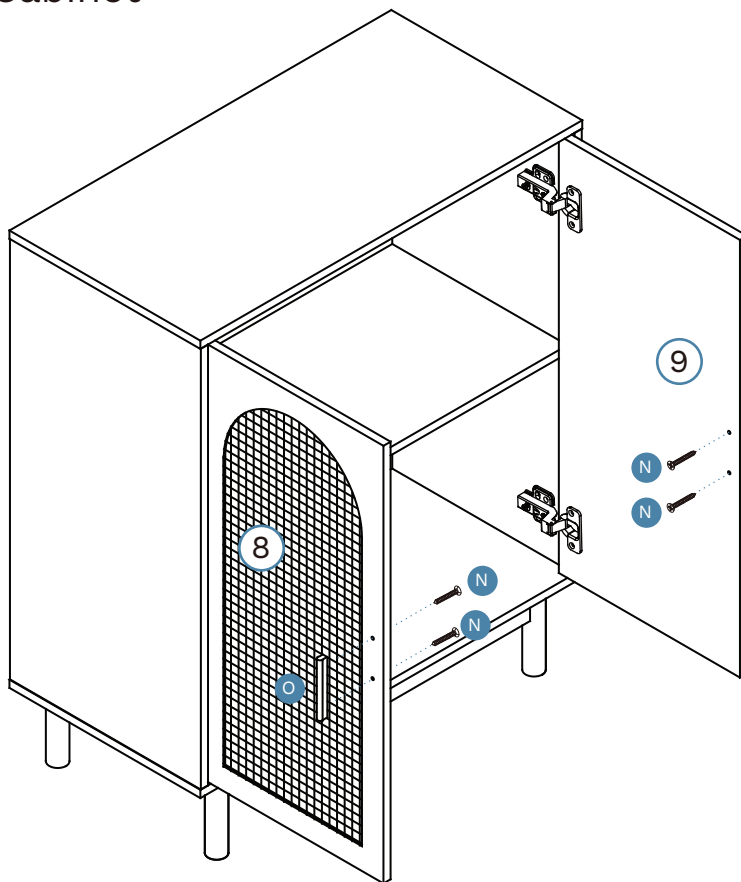


Hardware Needed		
E		x16

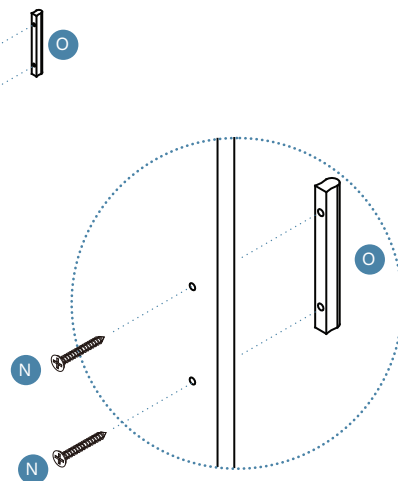
Canyon

Two Door Cabinet

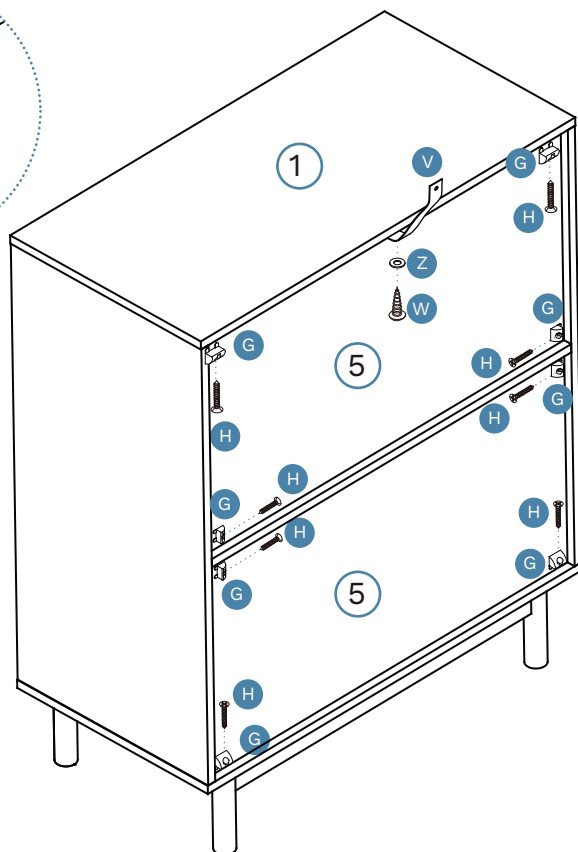
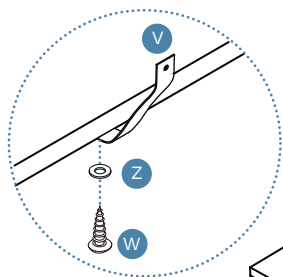
17



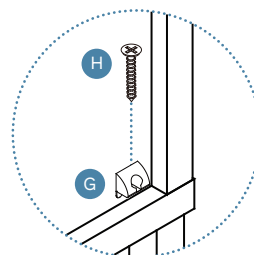
Hardware Needed		
N		x4
O		x2



18



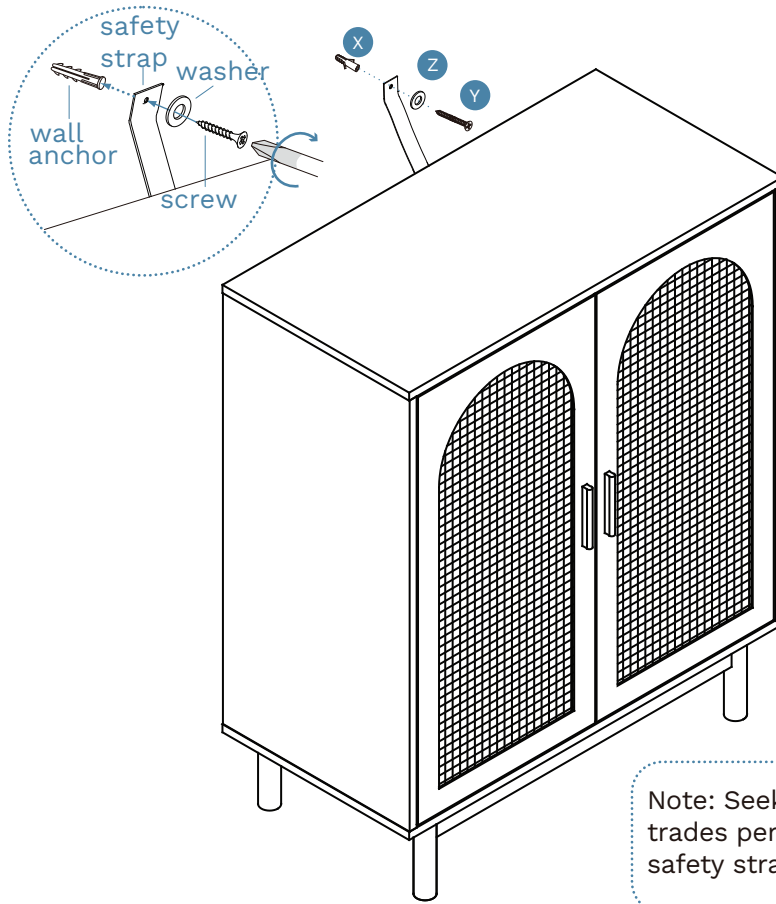
Hardware Needed		
G		x8
H		x8
V		x1
W		x1
Z		x1






Canyon

Two Door Cabinet

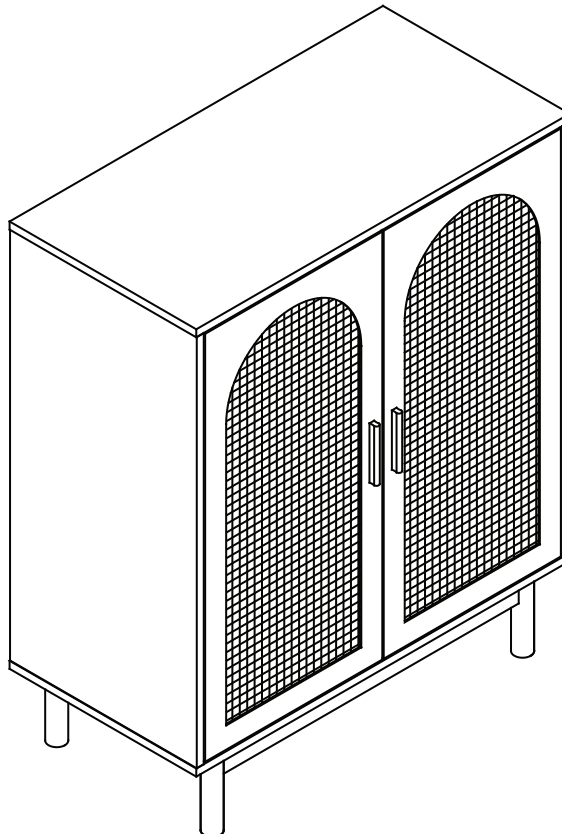
19



Hardware Needed		
X		x1
Y		x1
Z		x1

Note: Seek advice from a qualified trades person on how to attach this safety strap to your specific wall.

20



Once assembled lift furniture into place, do not drag. You're done, enjoy!

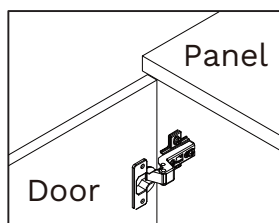
Canyon

Two Door Cabinet

HOW TO ADJUST THE HINGES TO ALIGN THE DOORS IF NEEDED.

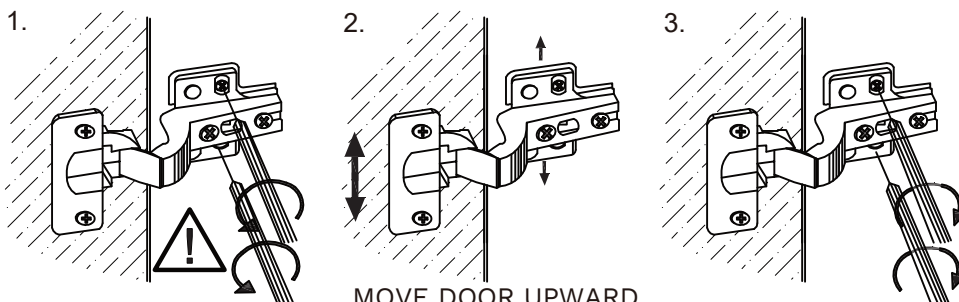
STEP 1

Open the door.



STEP 2

Adjust the door panels upward or downward



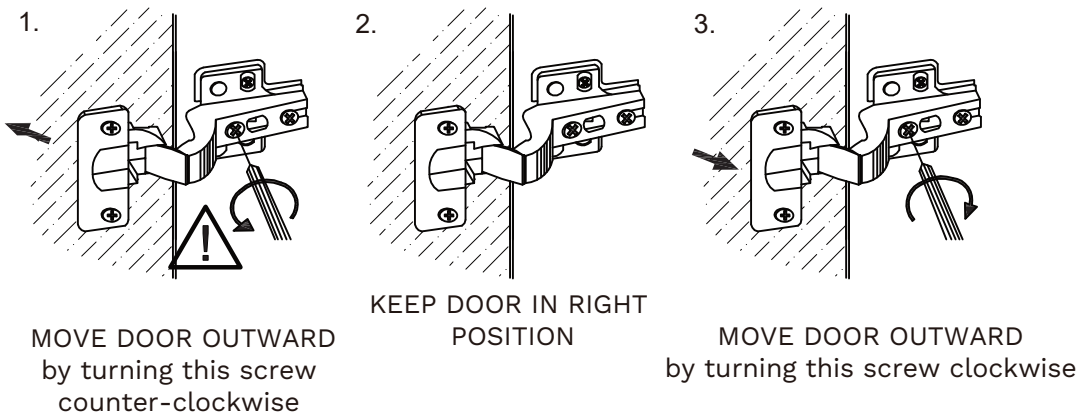
1. Unscrew 2 screws in round holes loosen 2 screws in oval holes a bit.

2. MOVE DOOR UPWARD OR DOWNWARD

3. Tighten 2 screws in oval holes. Screw in 2 screws in round holes

STEP 3

Adjust the flush between door panel and side panel



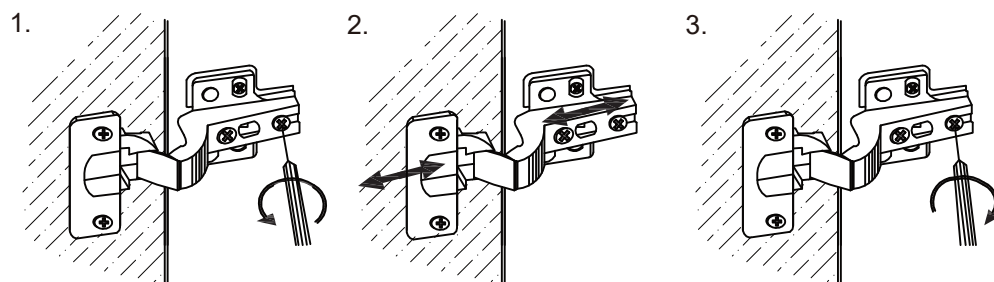
1. MOVE DOOR OUTWARD by turning this screw counter-clockwise

2. KEEP DOOR IN RIGHT POSITION

3. MOVE DOOR OUTWARD by turning this screw clockwise

STEP 4

Adjust the Gap between door panel and side panel



1. Loosen this screw a bit.

2. MOVE DOOR BACK OR FORTH

3. Re-tighten this screw.



Love it for longer.

Wipe clean with a dry cloth.



Caring for our world.

In the interest of our environment, please dispose of all packaging thoughtfully.



Good news, you're all done!

Love it and share it on Instagram by tagging

 @mockaaustralia | @mockanz