

CARLIN TWO PIECE TOILET

4.8LPF / 1.28GPF

- 4722BFV Bowl
- 4721BFV Cane - Lined Tank
- 4721BFVU Cane - Unlined Tank

PRODUCT SPECS:

- High efficiency toilet
- 4.8Lpf / 1.28Gpf
- Round front bowl
- Vitreous china
- 15½" Bowl height
- Chrome tank lever
- 12" (305mm) Rough-in
- 2" Fully glazed ball pass trapway
- 3" Flapper
- Siphon jet flush action
- Water surface: 8¼" x 6⅞" (209mm x 155mm)
- Toilet seat not included

DIMENSIONS:

440mm W x 670mm D x 765mm H

17¼" W x 26⅜" D x 30⅞" H

COMPLIANCE CERTIFICATIONS

- Meets or exceeds the following:
- IAPMO cUPC
 - ASME A112.19.2 / CSA B45.1
 - LEED Compliant
 - CSA B651 barrier-free standard
 - US EPA WaterSense
 - MaP Tested 1000g

SHIPPING

Bowl:

Cube 3.38
GW 46 lbs

Tank:

Cube 1.93
GW 34 lbs



TO BE SPECIFIED

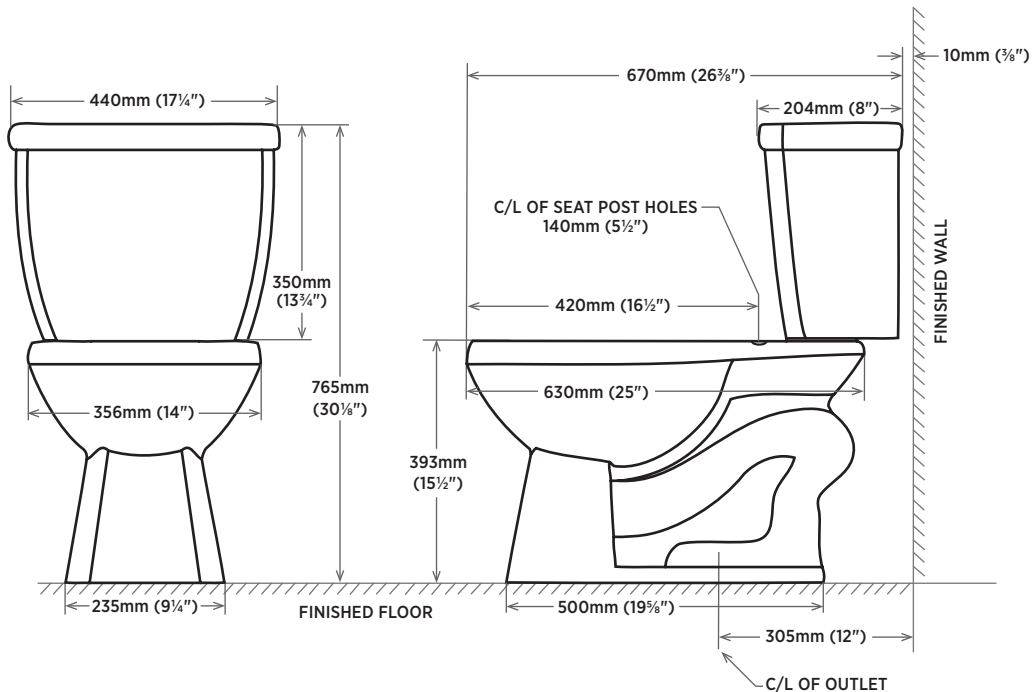
Colour:

- Soft White

NOTES: The drawing below shows a rough-in at a minimum dimension of 305mm (12") from finished wall to C/L of outlet. Supply line not included with fixture and must be ordered separately.

Important: Dimensions of fixtures are nominal and may vary within the range of tolerances established by ASME standard A112.19.2. These measurements are subject to change or cancellation. No responsibility is assumed for use of superseded or voided pages.

Product is designed to comply with CSA B651 Barrier-Free Standard, if installed according to the standard and local building codes. It is the responsibility of the installer to comply with this standard and local building codes prior to installation.



CARLIN TWO PIECE TOILET

6.0LPF / 1.6GPF

- ☐ 4722BFT Bowl
- ☐ 4721BFT Cane - Lined Tank
- ☐ 4721BFTU Cane - Unlined Tank

PRODUCT SPECS:

- High efficiency toilet
- 6.0Lpf / 1.6Gpf
- Round front bowl
- Vitreous china
- 15½" Bowl height
- Chrome tank lever
- 12" (305mm) Rough-in
- 2" Fully glazed ball pass trapway
- 3" Flapper
- Siphon jet flush action
- Water surface: 8¼" x 6¼" (210mm x 156mm)
- Toilet seat not included

DIMENSIONS:

440mm W x 670mm D x 765mm H
 17¼" W x 26⅜" D x 30⅝" H

COMPLIANCE CERTIFICATIONS

- Meets or exceeds the following:
- IAPMO cUPC
 - ASME A112.19.2 / CSA B45.1
 - LEED Compliant
 - MaP Tested 800g

SHIPPING

Bowl:	
Cube	3.38
GW	46 lbs
Tank:	
Cube	1.93
GW	34 lbs



TO BE SPECIFIED

- Colour:
- Soft White
 - Bone (055)*
 - Biscuit (066)*

NOTES: The drawing below shows a rough-in at a minimum dimension of 305mm (12") from finished wall to C/L of outlet. Supply line not included with fixture and must be ordered separately.

Important: Dimensions of fixtures are nominal and may vary within the range of tolerances established by ASME standard A112.19.2. These measurements are subject to change or cancellation. No responsibility is assumed for use of superseded or voided pages.

Product is designed to comply with CSA B651 Barrier-Free Standard, if installed according to the standard and local building codes. It is the responsibility of the installer to comply with this standard and local building codes prior to installation.

