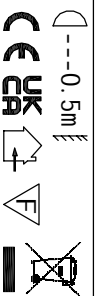




De Meutter Bv
 Industriepark 14A Zone B
 2220 Heist-op-den-Berg
 BELGIUM

INPUT: 220-240V ~50/60HZ CLASS II
 LAMP-HOUSE: GU10-50W(Max.)
 MATERIAL: ALUMINIUM



INSTALLATION INSTRUCTION

1. Before installing, make sure the power supply is switched off.
2. Follow the steps as the figure for installation or replacement of bulb

Fig: A. holing.

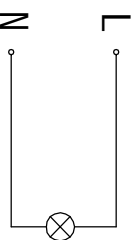
- A. connect the wires to the terminal block.
- B. insert the outer ring to the ceiling.
- C. fix the bulb.
- D. balance the inner ring to the bulb.
- E. fix the inner ring to the outer ring.
- F. After finishing every step, have the fixture fixed, and then connect the power supply.

CLEANING INSTRUCTION

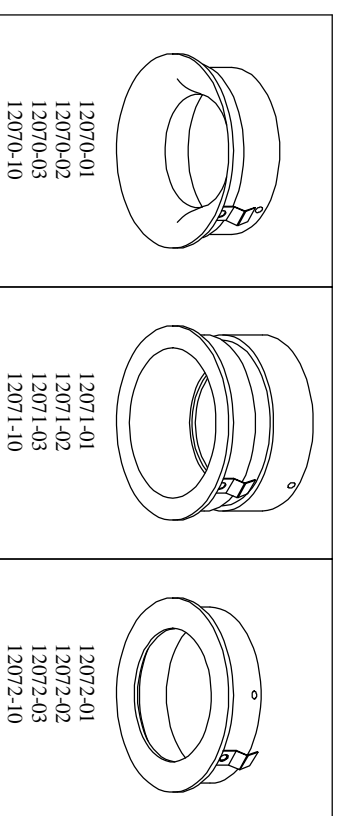
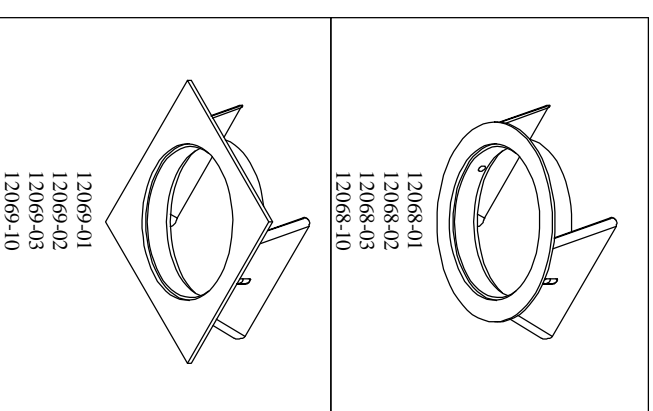
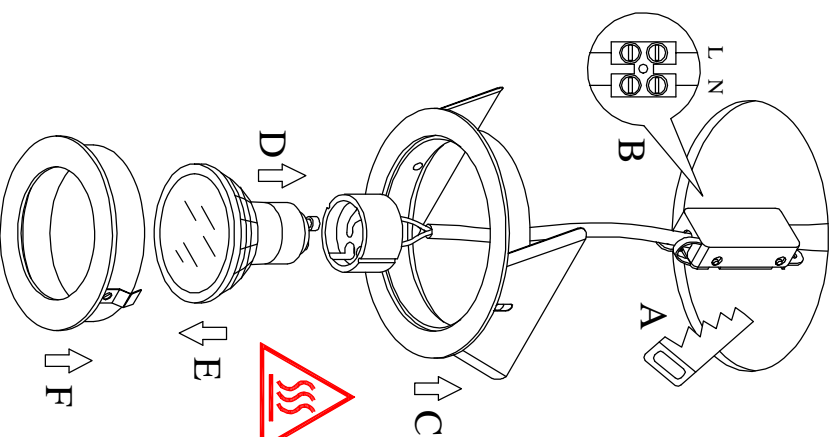
1. Before cleaning, ensure that the power supply is switched off.
2. Use only a soft cloth to clean the lamp, dampened with mild cleanser if needed for resistant dirt.
3. Warning: do not use alcohol or other solvents!

CAUTION:

While the lamp is working, the surface of it is hot!
 Please do not touch the fixture within an hour after the power supply has been switched off.



HOLE SIZE: \varnothing 80mm



CAUTION: WHILE THE LAMP IS WORKING, THE SURFACE OF IT IS VERY HOT, PLEASE DO NOT TOUCH!