

Inclination Sensor(Digital Output)



Features

- Output for up to four tilt angles
- Direct waterproof coupler (IP67 rated)
- Easy installation and maintenance
- Compact size and low cost



Specifications

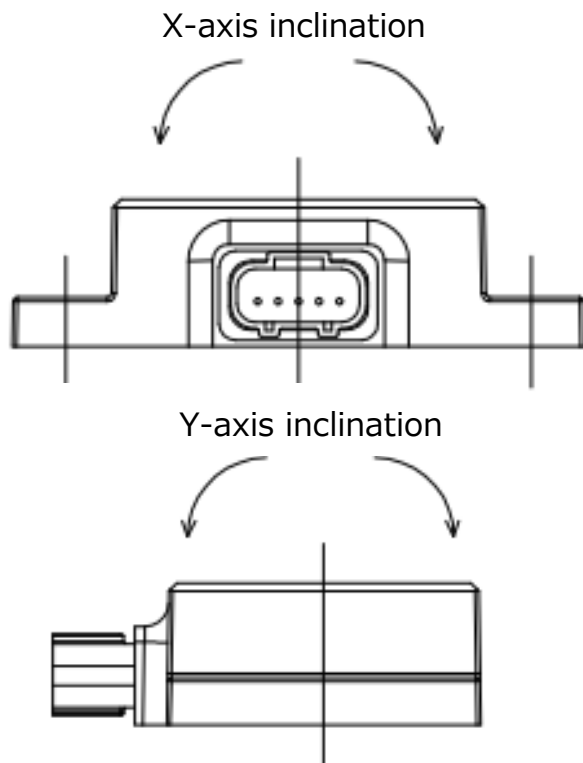
Model number	JKS - 01D
Detection inclination angle	X-axis $\pm 15^\circ$ intermittent (output 1) X-axis $\pm 20^\circ$ continuous (output 1) Y axis $\pm 15^\circ$ intermittent (output 2) Y axis $\pm 20^\circ$ continuous (output 2)
Operating voltage range	10 ~ 16VDC
Supply Current	20mA or less (Load not included)
Output form	P N P open collector D C 1 6 V 5 0 0 m A (max)
Response speed	5 0 0 msec(0.5 seconds)
Operating temperature range	-20°C ~ +85°C (-30°C ~ +85°C when stored)
Operating humidity range	35 ~ 95%Rh(35~95%RH when stored)
Protective structure	IP67
Housing Material	ABS resin
Weight	Approx. 44g
Connector	CB01A1-05#A(Minebea Connect) Mating part CB01A6-05#0-01/02

Inclination Sensor(Digital Output)

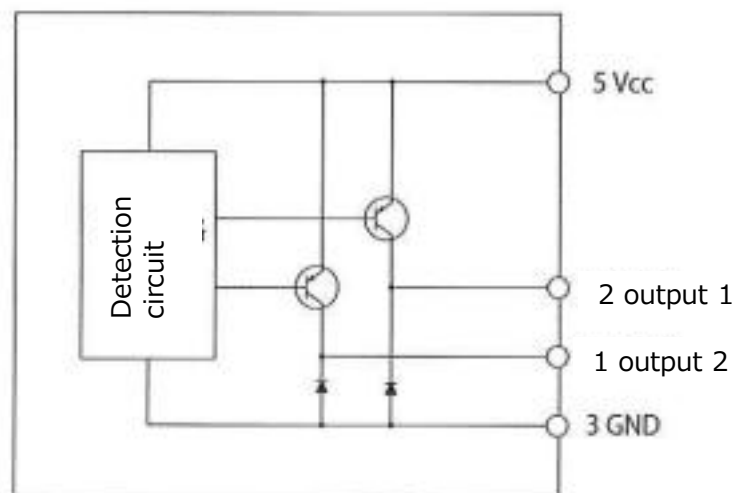


Specifications

- The detection angle can be freely selected within $\pm 80^\circ$ (detection width 160°). Custom costs are required.



Connection Diagram

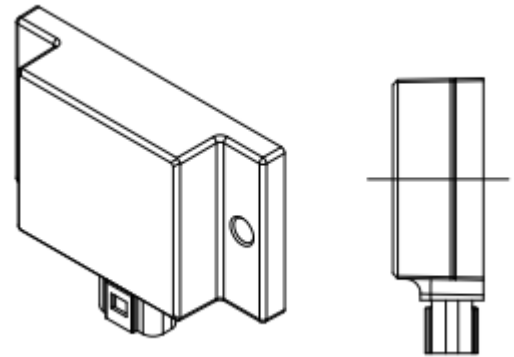
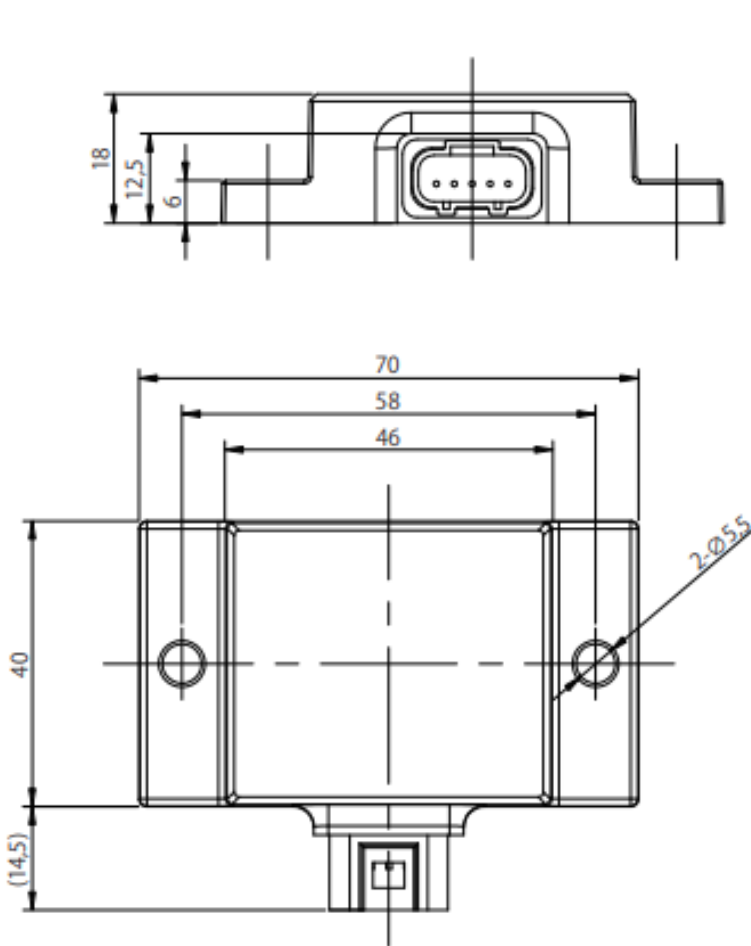


Inclination Sensor(Digital Output)

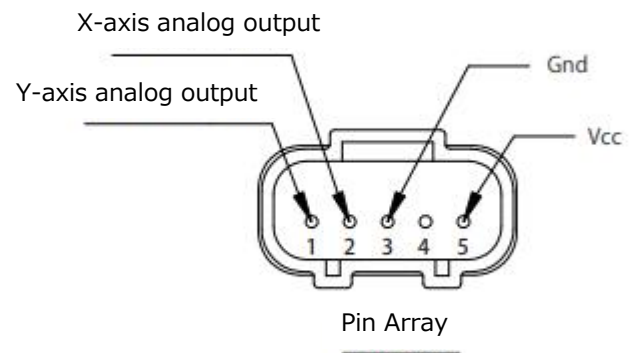


Dimensions

External dimensions



Pin Array



Mating connector(Minebea Connect Inc.)

CB01A6-05#0-01/02