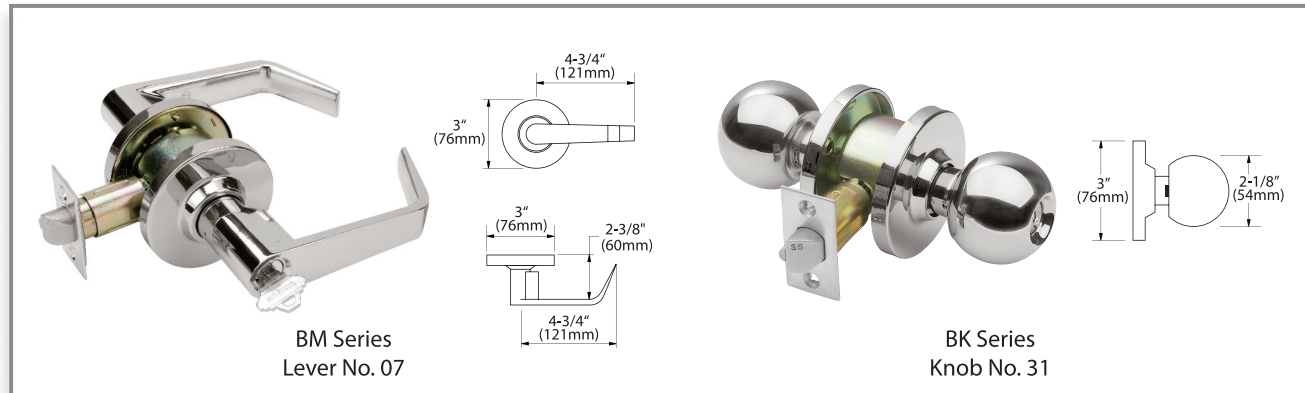


BM Leverset / BK Knobset Grade 2

Commercial Cylindrical Locks

**Specifications**

- **Door Thickness:** 1-1/2"(38mm) ~ 2"(51mm) doors standard.
- **Door Prep:** Crossbore 2-1/8"(54mm), Edgebore 1"(25mm), Latch face 1-1/8"(28.6mm) x 2-1/4"(57mm).
- **Backset:** 2-3/4"(70mm) standard. 2-3/8"(60mm) and 5"(127mm) optional.
- **Cylinder:** 6-pin anti-pick solid brass cylinder.
- **Keys:** Two (2) keys per lock. Schlage C keyway. Keyed-Different standard. Keyed-Alike, Construction key, Master Key suite or other keyway available by special order.
- **Handing:** Non-handed.
- **Trim:** Solid zinc diecast levers. 55° lever rotation for full latch retraction.
- **Rose:** 3"(76mm) diameter. Brass roses. Concealed screws. Threaded interior and exterior roses. Removable through bolts
- **Latchbolt:** 1/2"(13mm) throw, stainless steel 3 hour fire rated latchbolt. Reversible for flat and beveled doors.
- **Faceplate:** 1-1/8"(28.6mm) x 2-1/4"(57mm) square corner standard. Stainless steel or brass faceplate.
- **Strike:** ANSI curved lip strike 4-7/8"(124mm) x 1-1/4"(32mm) x 1-1/4"(32mm) lip to center standard. Full lip strike or T strike available.

Warranty

5 Year Warranty

Finishes

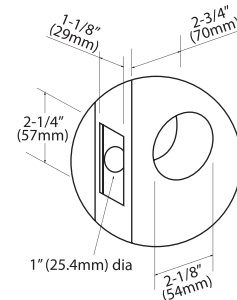
Stocking: US26D (626) Satin Chrome
 Special Order:
 US26 (625) Bright Chrome Plated
 US3 (605) Bright Brass
 US4 (606) Satin Brass
 US10B (613) Oil Rubbed Bronze
 US32D (630) Satin Stainless Steel (Knob only)

Functions**Non-Keyed Locks:**

- Passage Latch (F75)
- Bath/Bedroom Privacy Lock (F76)
- Communicating/Exit Lock
- Single Dummy Trim

Keyed Locks:

- Entrance (F109)
- Classroom Lock (F84)
- Storeroom Lock (F86)

Door Preparation**Code Compliance**

- ANSI A156.2 Grade 2
- UL 10C and UBC 7.2 3 hour Fire Rated for positive pressure.
- ANSI A117.1 ADA Barrier-free Accessibility
- C-UBC California Uniform Builders Code-2001
- NFPA-80 National Fire Protection-1999
- NFPA-101 National Fire Protection-Life Safety-2000