

DL-LSV SERIES

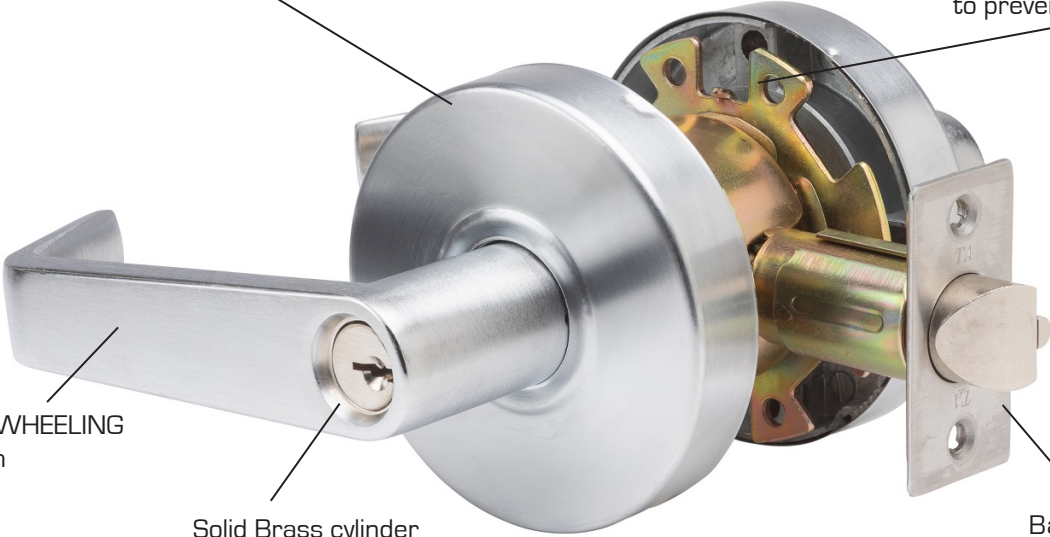
GRADE 2

STANDARD DUTY COMMERCIAL CYLINDRICAL LEVER

The DL-LSV Series cylindrical leversets are designed for use on standard Grade 2 commercial applications. The LSV Saturn Style series is ADA compliant.

Individual spring on each side prevents lever sag

Removable Thru-Bolts to prevent lock rotation



Vandal resistant FREE WHEELING clutch lever mechanism (when specified)

Solid Brass cylinder

Backset: 2 3/4"

SATURN STYLE

Meets ADA requirements



LSV / DB751 COMBO
US26D finish



SPARTA STYLE

CODE COMPLIANCE



- ANSI A156.2 Grade 2, UL10C and UBC 7.2 for positive pressure
- ANSI A117.1 ADA Barrier-free Accessibility
- C-UBC California Uniform Builders Code -2001
- NFPA-80 National Fire Protection -1999
- NFPA-101 National Fire Protection - Life Safety-2000



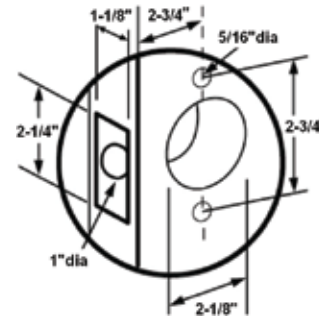
IC CORE OPTION
(only Saturn Style)
(core not included)

FEATURES

- Certification: UL Listed R14879 ANSI A156.2 Grade 2
- Door Thickness: 1 3/4" - 1 5/8"
- Backset: 2 3/4"
- Cylinder: Schlage "C" keyway
- Keying: Schlage 6 pin keyed
- Key: 2 six pin Nickel Plated
- Functions: See below
- Latch: 1/2" projection Stainless Steel
Face: 1 1/8" x 2 1/4" (Optional 3 hour UL R14879)
- Bore: 2 1/8" hole retrofits all cylindrical locksets
- Fits 161 Prep doors
- Strike: ANSI 1 1/4" x 4 7/8" strike
- Removable Thru-Bolts
- Non-handed / reversible
- Warranty: Lifetime mechanical. 10 year finish.
- Finishes: US3, US10B, US26D

OPTIONS

- CL - Clutch function - Lever rotates without unlatching lock (only Saturn Style)
- IC - Small format Figure 8 Interchangeable Core NOT included
- DL-DLUL238 - 2 3/8" backset, UL Deadlatch
- DL-SLUL238 - 2 3/8" backset, UL Springlatch
- DL-TA013 - 1 1/8" x 2 3/4" "T" Strike
- DL-EXBS5: Extension for 5" backset
- DL-LSV53DB751 - Combo, Single Cylinder
- DL-LSV53DB760 - Combo, Double Cylinder



DOOR PREP

CROSS REFERENCE

FUNCTION	TA	DORMA	HAGER	CAL-ROYAL	PDQ	SCHLAGE
PASSAGE	DL-LSV10	CL710	3510	CSL-30	SP126	AL10S
PRIVACY	DL-LSV40	CL740	3540	CSL-20	SP176	AL40S
ENTRANCE	DL-LSV53	CL753	3553	CSL-00	SP116	AL53PD
CLASSROOM	DL-LSV70	CL770	3570	CSL-03	SP148	AL70PD
STOREROOM	DL-LSV80	CL780	3580	CSL-04	SP115	AL80PD
DUMMY	DL-LSVDT	CL701	3517	CSL-40	SP211	AL170

ACCESSORIES



DL-DLUL238 2 3/8"
DL-DLUL234 2 3/4"
Backset Deadlatch



DL-TA013
1 1/4" x 2 3/4"
"T" Strike



DL-TA001
1 1/4" x 4 7/8"
ASA Strike



DL-SLUL238 2 3/8"
DL-SLUL234 2 3/4"
Backset Springlatch



DL-TA020
1 1/4" x 2 1/4"
Full Lip Strike



DL-DX161 FILLER COVER
• 2 3/8" filler plate
• Finishes: USP, US26D



**DL-EXB5 5" BACKSET
EXTENSION**

KEYING OPTIONS

(additional charges may apply)

- 2 keys per cylinder
- KD: Keyed Different
- KA: Keyed Alike
- KA2: Keyed Alike; groups of 2
- KEYWAYS: SC6, AR5, KW1