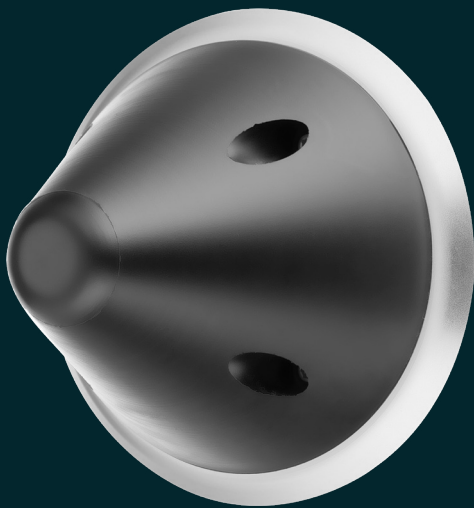


## PRODUCT DATASHEET

# KG186 Extended Rubber Wall Mounted Door Stop on Back Plate

A solid high-pressure domed rubber door stop with metal back plate for use on walls and doors, offering ultimate durability. These are installed on walls or doors, or both, to prevent walls from being damaged by doors. The KG186 stops are used where door hardware may require additional clearance or increased impact resistance. They are commonly paired with the KG186 Extended Door Stop (available separately) on an opening where maximum clearance is needed.



### Terms and conditions:

To see our full terms and conditions, please visit:  
[kingswaygroupglobal.com/en-us/terms](https://kingswaygroupglobal.com/en-us/terms)

# Your Partner in Patient Safety

## Installation Description

- Mark out the area where the door stop is to be fitted
- Drill four holes, and use suitable anchors if required
- Fix in place using the security screws provided

## Operation and Maintenance

### Operation

Designed to stop door handles and other door hardware from coming into contact with wall surfaces.

### Maintenance

Periodic checks should be made to ensure the screws remain tight and that the rubber has not been damaged.

### Cleaning

Clean using a non-abrasive sanitising agent. Abrasive cleaning cloth and agents should be avoided.

## Warranty

### 1 Year Manufacturer's Defect Warranty\*

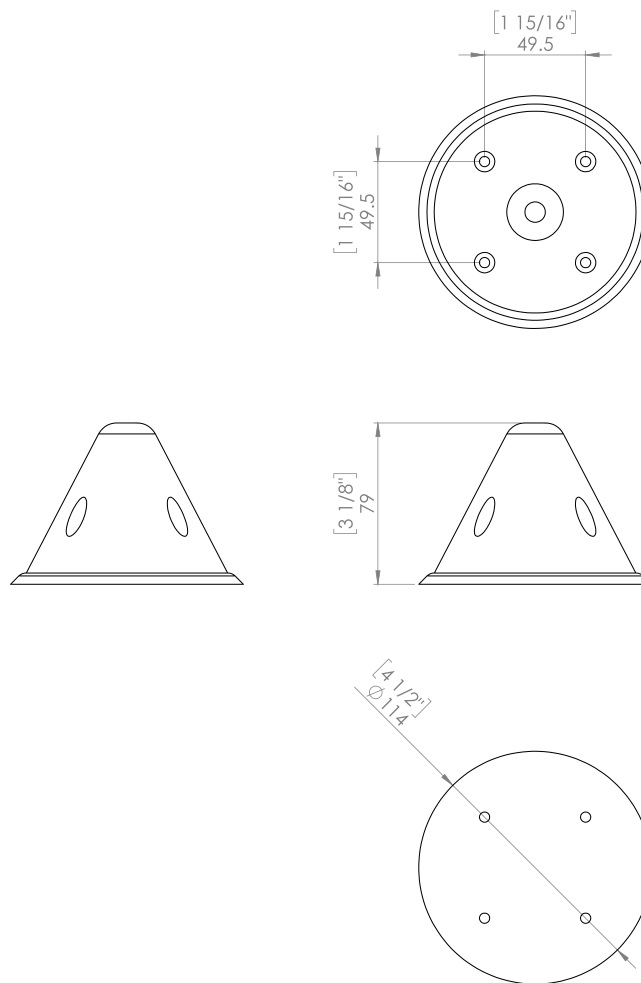
\*For faulty manufacture and not for damage

### Specification

KG186 Extended Rubber Wall Mounted Door Stop on Back Plate

PRODUCT DIAGRAM

# KG186 Extended Rubber Wall Mounted Door Stop on Back Plate



**Terms and conditions:**

To see our full terms and conditions, please visit: [kingswaygroupglobal.com/en-us/terms](https://kingswaygroupglobal.com/en-us/terms)