

## PRODUCT DATASHEET

# KG182 Wall Mounted Door Stop

The Kingsway wall mounted door stop is a high impact moulded rubber dome set in a solid stainless steel surround. These are installed to prevent walls from being damaged by doors and door hardware.

**Terms and conditions:**

To see our full terms and conditions, please visit:  
[kingswaygroupglobal.com/en-us/terms](https://kingswaygroupglobal.com/en-us/terms)

# Your Partner in Patient Safety

## Installation Description

- Mark out the two fixing holes using the template provided
- Drill both fixing holes and use suitable anchors if required
- Fix in place using the security screws provided

We recommend that you apply tamper proof caulking around the perimeter of the stainless surround once the unit is installed.

## Operation and Maintenance

### Operation

Designed to stop door handles and other door hardware from coming into contact with wall surfaces.

### Maintenance

Periodic checks should be made to ensure the screws remain tight and that the rubber has not been damaged.

### Cleaning

Clean using a non-abrasive sanitising agent. Abrasive cleaning cloth and agents should be avoided.

## Warranty

### 1 Year Manufacturer's Defect Warranty\*

\*For faulty manufacture and not for damage

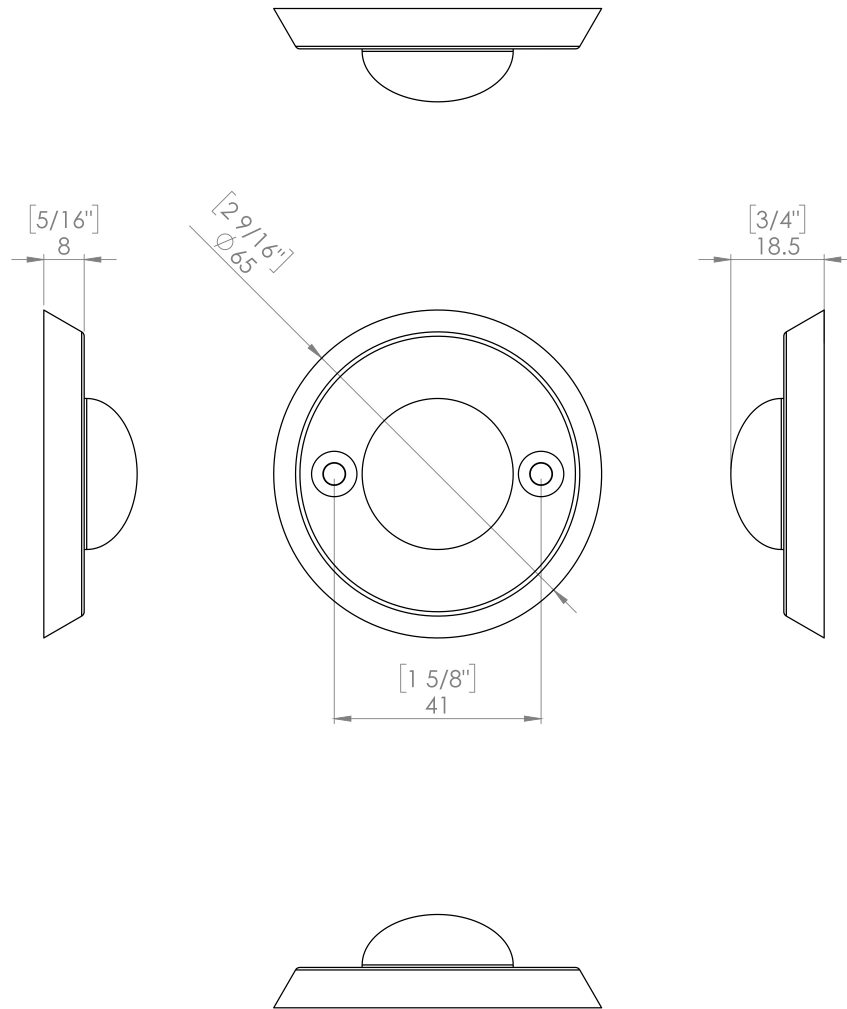
### Specification

KG182 Wall Mounted Door Stop

KG182BK (Black) Wall Mounted Door Stop  
KG182 CR (Cream) Wall Mounted Door Stop  
KG182 GR (Grey) Wall Mounted Door Stop  
KG182 BE (Beige) Wall Mounted Door Stop

PRODUCT DIAGRAM

# KG182 Wall Mounted Door Stop



**Terms and conditions:**

To see our full terms and conditions, please visit: [kingswaygroupglobal.com/en-us/terms](https://kingswaygroupglobal.com/en-us/terms)