

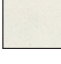
# ELLIPSE

## FRAGRANITE 33" DOUBLE BOWL SINK Model EOXX33229-1

### TECHNICAL FEATURES

Overall Sink Size (OD)	33" x 22"
Bowl Size (ID)	29 <sup>3</sup> / <sub>4</sub> " x 18 <sup>7</sup> / <sub>8</sub> " x 16 <sup>7</sup> / <sub>8</sub> "
Bowl Depth (ID)	9" / 8"
Corner Radius	25mm
Minimum Cabinet Size	36"
Installation Type	Dual Mount
Weight	42 lbs
Warranty	Limited Lifetime

### AVAILABLE FINISHES

 Champagne EOCH33229-1-CA 114.0296.196	 Onyx EOOX33229-1-CA 114.0296.194
 Stone Grey EOSG33229-1-CA 114.0637.941	 Oyster EOOY33229-1-CA 114.0637.940
 Polar White EOPW33229-1-CA 114.0643.360	 Matte Black EOMB33229-1-CA 114.0699.568
 Mocha EODB33229-1-CA 114.0296.195	 Slate Grey EOSL33229-1-CA 114.0713.075

### INCLUDED ACCESSORIES

Strainer Chrome  
1145  
112.0055.508

### OPTIONAL ACCESSORIES

Bottom Grid FBGG1014 112.0185.332	Bottom Grid BGG1316 112.0185.333	Accessory System AIUS100 112.0655.481
---	--	---

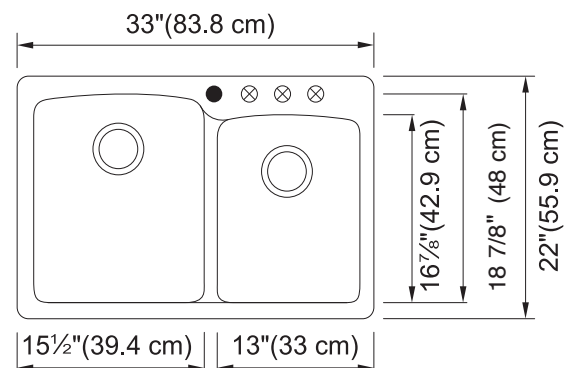
Accessory System AIUS200 112.0655.488	Accessory System AIUS300 112.0655.489	Colorline Strainer 900-XXX (xxx represents color)
---	---	---

Colorline Flange  
WD-900-XXX  
(xxx represents color)

Product Image



Dimensional Drawing



4 pre-scored holes for faucet and accessories

