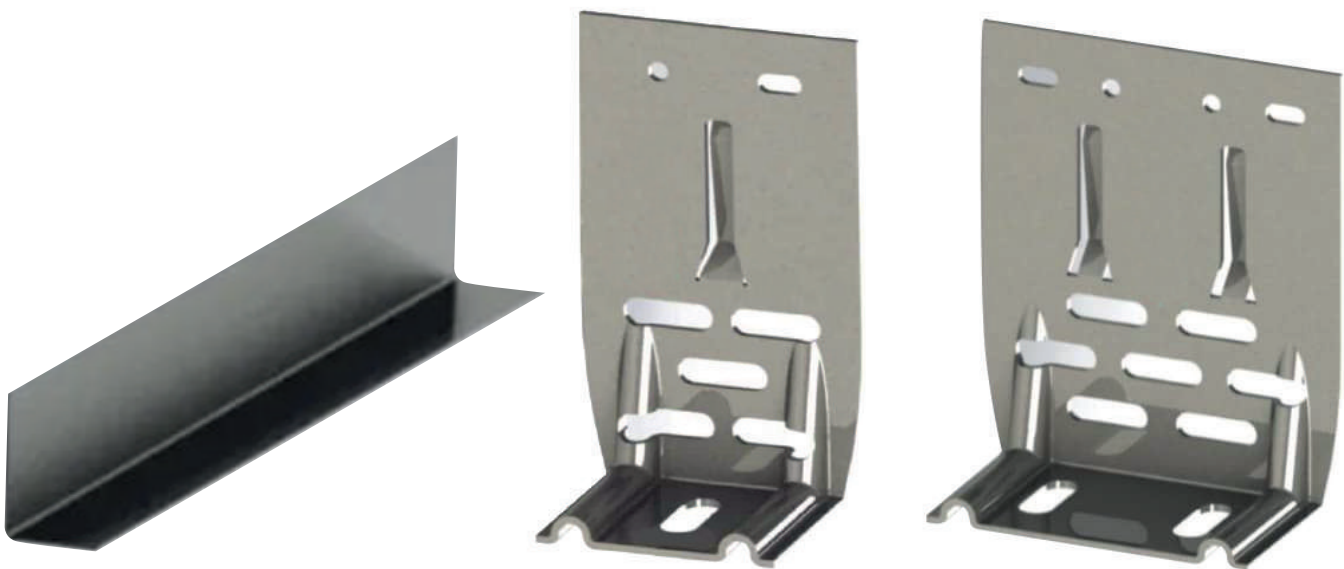




certifix
YOUR FIXING SPECIALIST

certiFRAME

CFM BRACKETS AND RAILS SYSTEM



**Exceptional corrosion protection.
Outstanding thermal performance.**

PRODUCT DESCRIPTION

The **CertiFRAME** range of **CFM Magnelis® Single, Double and Corner Brackets** and **CFM Magnelis® L Rails** has been developed to provide a range of industry-leading products with unprecedented corrosion-resistance qualities.

Magnelis® is a metallic coating applied by using a continuous hot-dip galvanising process which not only creates exceptional corrosion protection, but is equally effective in protecting a cut edge.

The end result is brackets and L rails that outperform conventionally galvanised products, making them ideal for use in even the most hostile environments.

PRODUCT FEATURES

- Patented design massively reduces insulation thickness required (U Value calculations available on request)
- Increased bracket spacings result in fewer anchors giving faster installation times
- **Magnelis®** is a unique zinc-metallic composition offering exceptional corrosion and cut-edge protection
- **Magnelis®** offers the same protection on flat, curved and deformed zones, making it ideal for use on brackets and L rails
- Performs exceptionally well in extreme environmental conditions
- Significantly reduces maintenance costs
- An environmentally friendly range



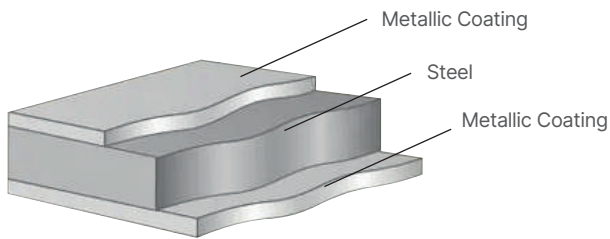


CFM BRACKETS AND RAILS SYSTEM

WHAT IS MAGNELIS®?

It's an exceptional metallic coating produced by preparing pre-galvanized steel in a molten bath of 93.5% zinc, 3.5% aluminium, and 3% magnesium. The alloy is applied by a continuous hot-dip galvanizing process.

The zinc-metallic unique composition offers a breakthrough in corrosion protection and cut-edge protection. It also permits conventional processing operations that are possible with hot-dip galvanized steel, such as drawing, bending, profiling, stamping, clinching, etc.



A CHOICE OF GRADES

Magnelis® coated steel is available in a variety of steel grades (steels for deep drawing and cold forming applications, high strength low alloy steels, and structural steels) and coating masses.

Its use is approved for civil construction by a number of national bodies:

France: ETPMETPM for Magnelis® by CSTB
Germany: DIBtDIBt Z-30.11-51 for Magnelis®
Sweden: Technical Approval no. SC0559-13 for Magnelis®

BENEFITS OF USING MAGNELIS®

Magnelis® can resist corrosion for a lot longer compared to standard galvanized products. Its specific composition allows it provide more effective corrosion protection than coatings containing lower magnesium content.

Moreover, **Magnelis®** forms a dense layer on highly deformed zones, giving them the same durable protection as flat surfaces.

High corrosion resistance means that the product requires less metallic coating to ensure equivalent corrosion protection compared to standard hot dip galvanized steel. This also facilitates processing steps, such as welding.

EDGE PROTECTION/SELF-HEALING EFFECT

Magnelis® forms very dense zinc-based protective film when exposed to the environment, protecting the surface from outside penetration. It provides protection even on the perforations and uncoated edges owing to its 3% magnesium content.

The **Magnelis®** film gradually covers the red rust present on uncoated zones. In fact, it's almost impossible for the environment to penetrate the **Magnelis®** film.

- Outperforms galvanized steel in almost all types of environments. Outdoor tests of salt spray and cyclic corrosion have proven that the protection provided by **Magnelis®** against long-term corrosion is three times better than galvanized steel.
- **Magnelis®** shortens the logistics chain owing to its simpler fabrication process
- **Magnelis®** ability to protect deformed shapes gives manufacturers the freedom to optimise designs.
- **Magnelis®** has a lower friction coefficient than that of standard hot-dip galvanized steel, which leads to reduced powdering in forming operations
- Significantly reduces maintenance costs
- Wide feasibility range
- Environmentally-friendly



APPLICATIONS OF CFM MAGNELIS®

Magnelis® coated steel can be used in a variety of industrial applications, like:

- Construction: non-structural or structural profiles, roofing & cladding, cable trays, decking, expanded metal, composite flooring, concrete moulds, and gratings
- Road and railway infrastructure: safety barriers, sound insulation wall panels, protection equipment, walls protection against hail
- Farming and Agriculture: agricultural equipment, greenhouse structures.
- Tubular applications: road signals, structural tubes for scaffolding





CFM BRACKETS AND RAILS SYSTEM

SINGLE BRACKETS

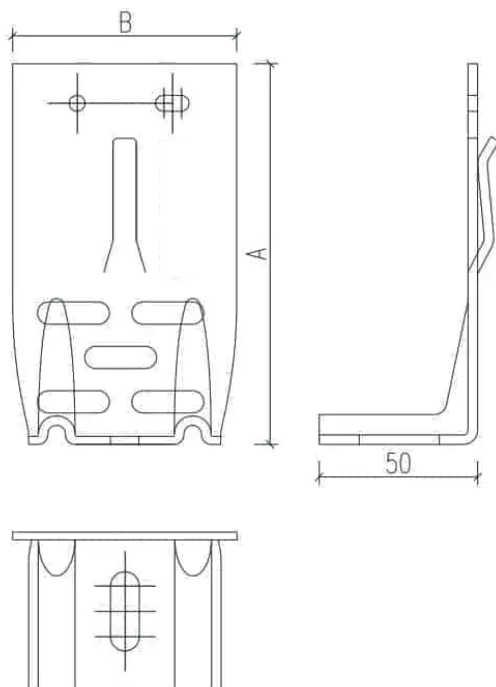
CFM Magnelis® Single Brackets absorb wind loading and allow for expansion and contraction.

Magnelis®, is unique pre-galvanised steel with a zinc-based coating including 3.5% aluminium and 3% magnesium for the highest protection and durability, even in aggressive environments.

Patented brackets design take care of elements like hole drilling that extend the way temperature spreads through the bracket, improving overall thermal isolation.

PRODUCT SPECIFICATION

NAME	DIM A	DIM B
Single Bracket CFM 120-70-SLIDING	55 mm	70 mm
Single Bracket CFM 120-70-SLIDING	95 mm	70 mm
Single Bracket CFM 120-70-SLIDING	120 mm	70 mm
Single Bracket CFM 140-70-SLIDING	140 mm	70 mm
Single Bracket CFM 170-70-SLIDING	170 mm	70 mm
Single Bracket CFM 190-70-SLIDING	190 mm	70 mm
Single Bracket CFM 210-70-SLIDING	210 mm	70 mm
Single Bracket CFM 250-70-SLIDING	250 mm	70 mm
Single Bracket CFM 290-70-SLIDING	290 mm	70 mm



CFM MAGNELIS® & STAINLESS STEEL DOUBLE BRACKETS

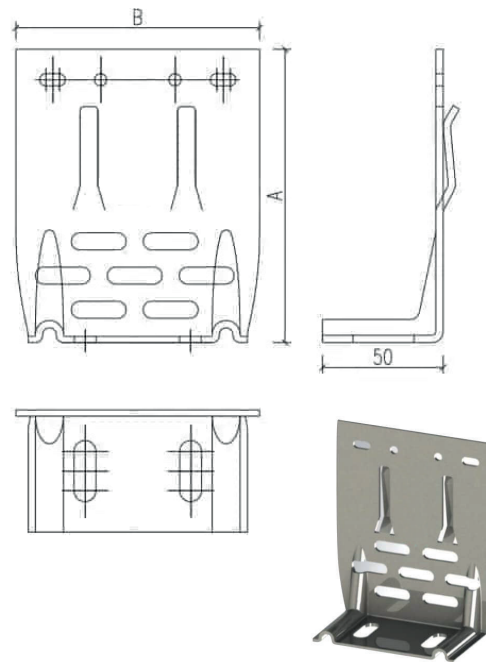
DOUBLE BRACKETS

Magnelis® Double Brackets absorb both vertical dead loads. **Magnelis®** steel is chemically compatible with alkaline building materials. Therefore applying pads of any kind, is not necessary and also raises thermal isolation of the concept.

Advantages of Using **CFM Magnelis® Brackets**

- Excellent corrosion resistance (C5 corrosion category). Our brackets and rails can be used in industrial areas with aggressive atmospheres, high humidity, and high salinity
- The self-healing effect ensures excellent edge protection
- Proven A1 fire resistance
- Very low thermal conductivity
- Excellent processing properties
- Environmentally-friendly manufacture process

Brackets are also available in Stainless Steel



CFM MAGNELIS® DOUBLE BRACKETS

NAME	DIM A	DIM B
Double Bracket CFM 120-130-FIXED	120 mm	130 mm
Double Bracket CFM 120-160-FIXED	120 mm	160 mm
Double Bracket CFM 120-190-FIXED	120 mm	190 mm
Double Bracket CFM 140-130-FIXED	140 mm	130 mm
Double Bracket CFM 140-160-FIXED	140 mm	160 mm
Double Bracket CFM 140-190-FIXED	140 mm	190 mm
Double Bracket CFM 170-130-FIXED	170 mm	130mm
Double Bracket CFM 170-160-FIXED	170 mm	160 mm
Double Bracket CFM 170-190-FIXED	170 mm	190 mm
Double Bracket CFM 190-130-FIXED	190 mm	130 mm
Double Bracket CFM 190-160-FIXED	190 mm	160 mm
Double Bracket CFM 190-190-FIXED	190 mm	190 mm
Double Bracket CFM 210-130-FIXED	210 mm	130 mm
Double Bracket CFM 210-160-FIXED	210 mm	160 mm
Double Bracket CFM 210-190-FIXED	210 mm	190 mm
Double Bracket CFM 250-130-FIXED	250 mm	130 mm
Double Bracket CFM 250-160-FIXED	250 mm	160 mm
Double Bracket CFM 250-160-FIXED	250 mm	190 mm
Double Bracket CFM 290-130-FIXED	290 mm	130 mm
Double Bracket CFM 290-160-FIXED	290 mm	160 mm
Double Bracket CFM 290-190-FIXED	290 mm	190 mm

STAINLESS STEEL DOUBLE BRACKETS

NAME	DIM A	DIM B
Double Bracket CF4 120-130-FIXED	120 mm	130 mm
Double Bracket CF4 120-160-FIXED	120 mm	160 mm
Double Bracket CF4 120-190-FIXED	120 mm	190 mm
Double Bracket CF4 140-130-FIXED	140 mm	130 mm
Double Bracket CF4 140-160-FIXED	140 mm	160 mm
Double Bracket CF4 140-190-FIXED	140 mm	190 mm
Double Bracket CF4 170-130-FIXED	170 mm	130 mm
Double Bracket CF4 170-160-FIXED	170 mm	160 mm
Double Bracket CF4 170-190-FIXED	170 mm	190 mm
Double Bracket CF4 210-130-FIXED	210 mm	130 mm
Double Bracket CF4 210-160-FIXED	210 mm	160 mm
Double Bracket CF4 210-190-FIXED	210 mm	190 mm
Double Bracket CF4 250-130-FIXED	250 mm	130 mm
Double Bracket CF4 250-160-FIXED	250 mm	160 mm
Double Bracket CF4 250-160-FIXED	250 mm	190 mm
Double Bracket CF4 290-130-FIXED	290 mm	130 mm
Double Bracket CF4 290-160-FIXED	290 mm	160 mm
Double Bracket CF4 290-190-FIXED	290 mm	190 mm

Please note that Steel brackets require increased bracket spacings compared to Aluminium systems.

CFM MAGNELIS® CORNER BRACKETS AND L PROFILES

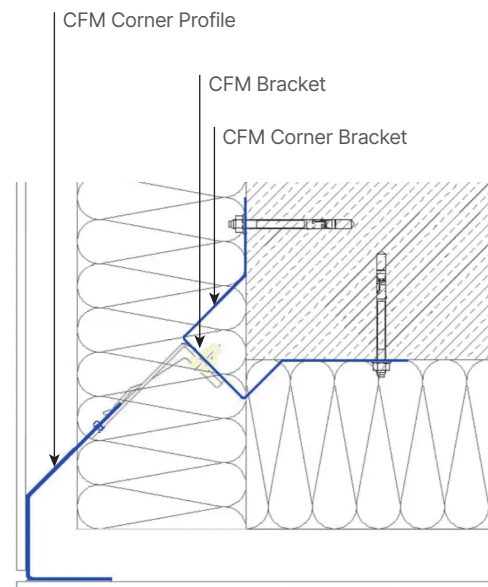
CORNER BRACKETS

The cladding on a building provides a crucial role, particularly when it comes to wind and moisture protection. It can also improve energy-efficiency and reduce heat gain in summer and prevent heat loss in winter.

The reason **CertiFrame** Brackets and Rails choose **Magnelis®** pre-galvanized steel is because it provides unmatched corrosion resistance, durability, and thermal insulation. Our products provide results that are more cost-effective than aluminium, post-galvanized steel, or stainless steel. This gives us an advantage over other companies.

PRODUCT SPECIFICATION

NAME	DIM A	DIM B
Corner Bracket CFM 130	-	130
Corner Profile CFM 160	-	160
Corner Profile CFM 190	-	190
Corner Profile CFM 70	-	70



L PROFILES

A range of **CFM Magnelis®** shaped profiles for easy installation of your rainscreen cladding, for various installation requirements.

Please use the menu aside, to find your ideal Profile shape, thickness and dimensions.

PRODUCT SPECIFICATION

NAME	DIM A	DIM B	Thickness
L Profile M1	60 mm	40 mm	1.5 mm
L Profile M2	60 mm	100 mm	1.5 mm
L Profile M3	60 mm	40 mm	1 mm
L Profile M4	60 mm	100 mm	1 mm
L Profiles Windows	60 mm	160 mm	1.5 mm

