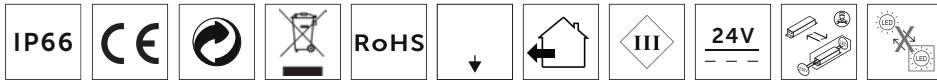


INSTALLATION MANUAL | Artemis M Outdoor

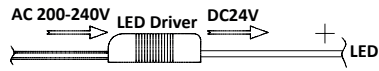
PREPARATIONS:

Before assembling the luminaire, carefully read these instructions to make sure the luminaire functions correctly and safely • This product can be used indoors and outdoors • The product has an IP grade (waterproof and dustproof performance) of IP66 and is dust tight and water spray proof (in any direction) • Working environment temperature -30°~+40°C • When using this product, please pay attention to the voltage and current rating parameters marked on the product. (exceeding the load will cause fire, personal injury and product damage) • Please use a proper power cord, which must exceed the voltage and current ratings marked on the product • Turn off the power before any operation • Improper repair procedures or modification may lead to electrical shock or other bad results • Replacing parts? Only use replacement parts specified by manufacture • Manufacturer reserves the right to change the product specification without prior notice. Store manual for future reference.

! PLEASE NOTE: Installation must be done by qualified technical professionals !

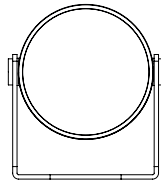


DRIVER (not included!)

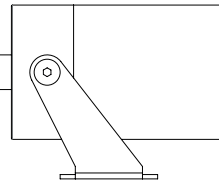


Please note! IP rating of the connection material needs to be at least of the same level of the luminaire!

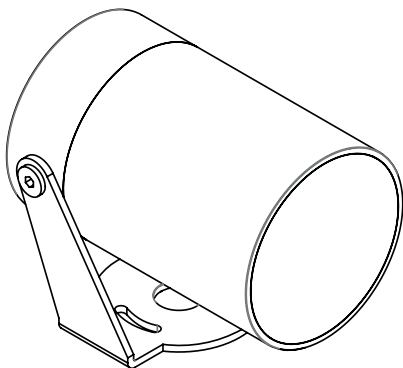
FRONT SIDE



PROFILE



PREVIEW



karizmaluce.com

DIMENSIONS

