

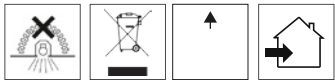
INSTALLATION MANUAL | Dea Athena XS Trim

Rondo Rondo

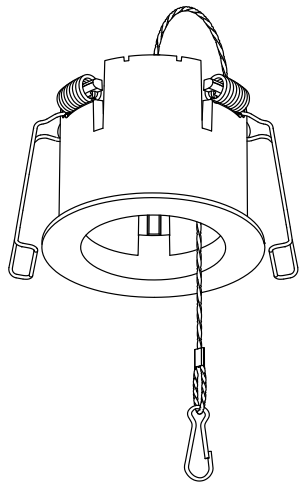
PREPARATIONS:

Before assembling the installation frame, carefully read these instructions to make sure the frame is placed correctly and safely • The frame should be mounted on a flat, smooth surface • With all painted/plated products some shade and finishing variation may occur, please make sure the installation frames are checked before installation • The installation frame must not be modified. Modifying the frame in any way invalidates the guarantee of conformity with standards and directives in force and it could make the actual luminaire hazardous • Before connecting the luminaire, make sure the mains power supply corresponds to the power indicated on the luminaire label • The mains isolator on the consumer unit/fuse board must be in "OFF" position before commencing any electrical work • Never cover the installation frame during use. Luminaires classified for indoor use must never be used outdoors even if they are protected from the elements • The manufacturer reserves the right to change the product specification without prior notice.

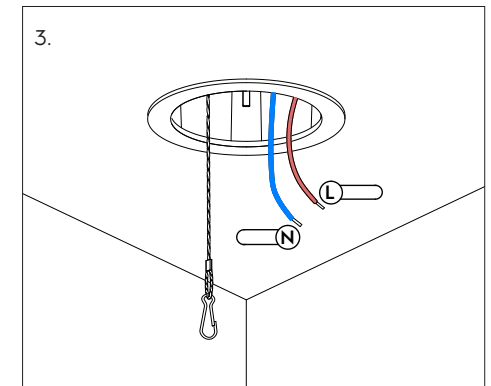
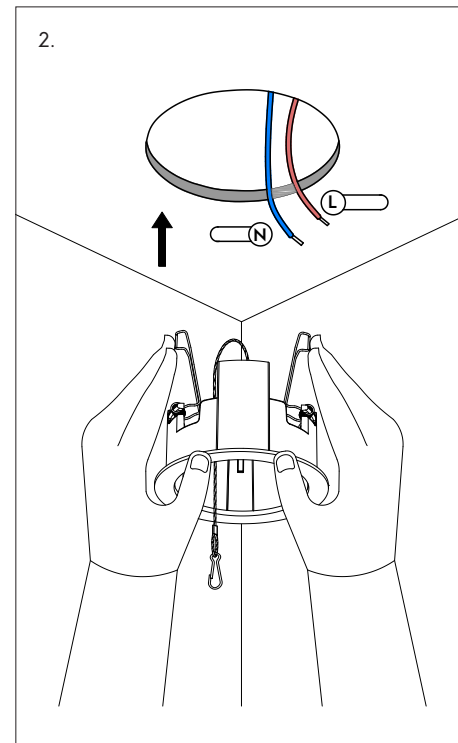
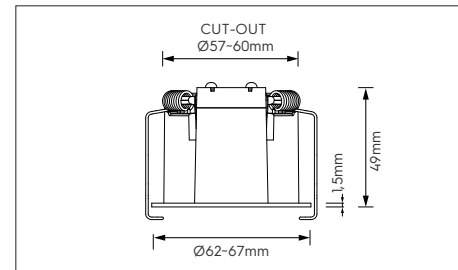
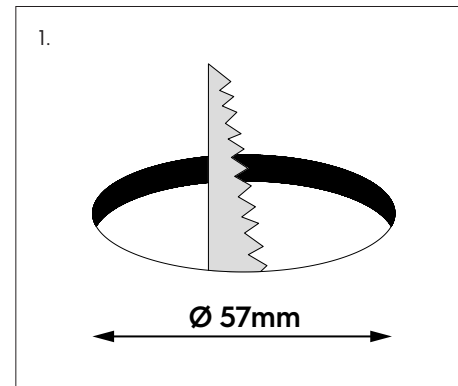
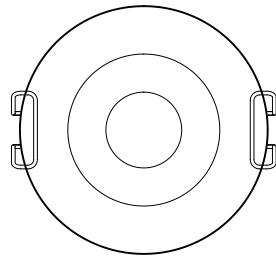
! PLEASE NOTE: Installation must be done by qualified and trained personnel !



PREVIEW



FRONT SIDE



You can now install the luminaire of your choice by connecting it to the hook, inserting the driver into the installation frame, and securing the luminaire with a gentle push upwards into the frame. See example below.

