



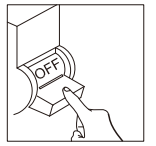
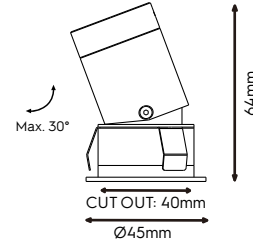
# INSTALLATION MANUAL

# KARIZMA luce

## CASA XS Swing

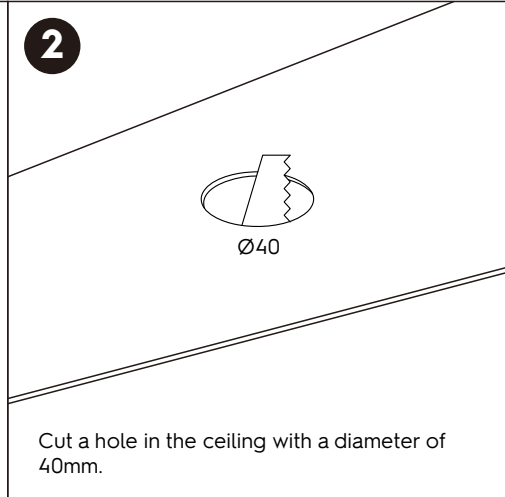
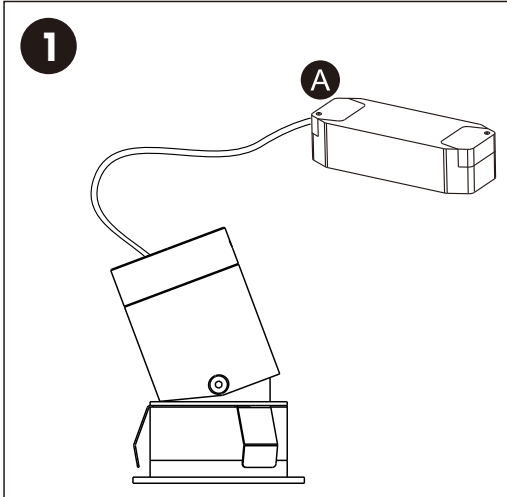


ADJUSTABLE

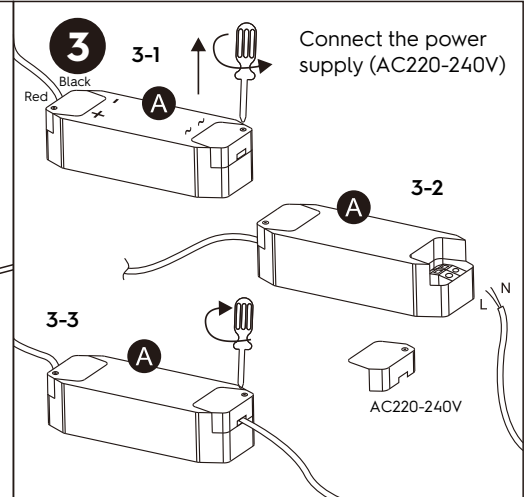


Do not operate with power supply connected.

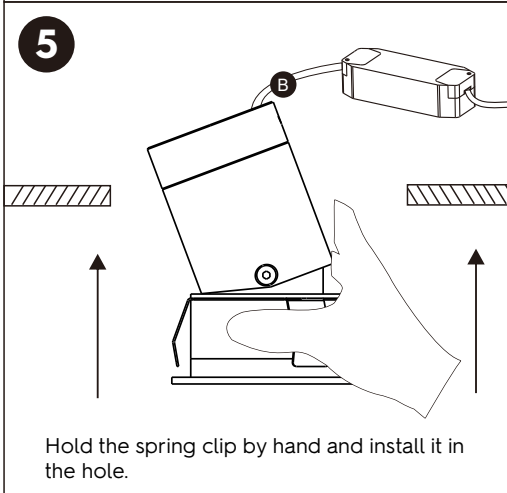
700mA @ 3V | AC220-240V | 50/60Hz | IP44  
Die cast | Adjustable



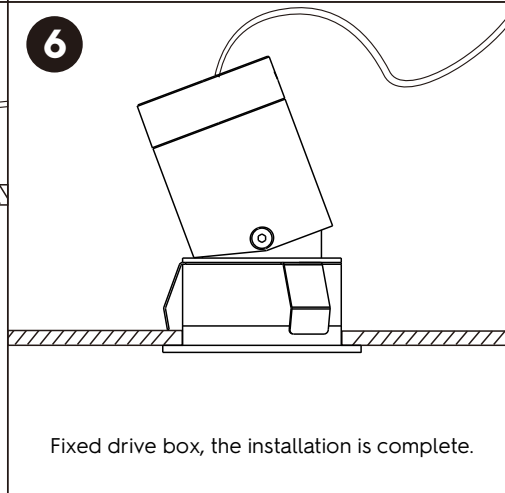
Cut a hole in the ceiling with a diameter of 40mm.



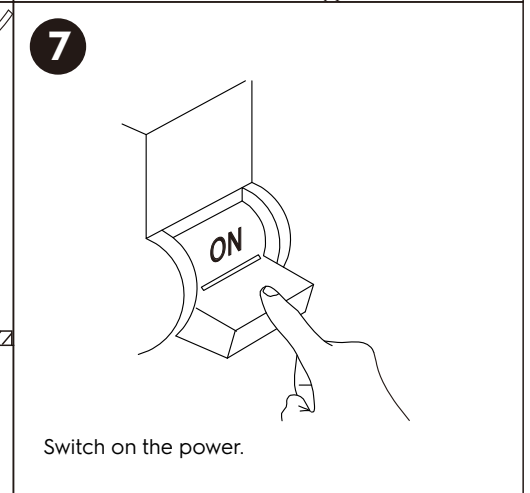
Connect the power supply (AC220-240V)



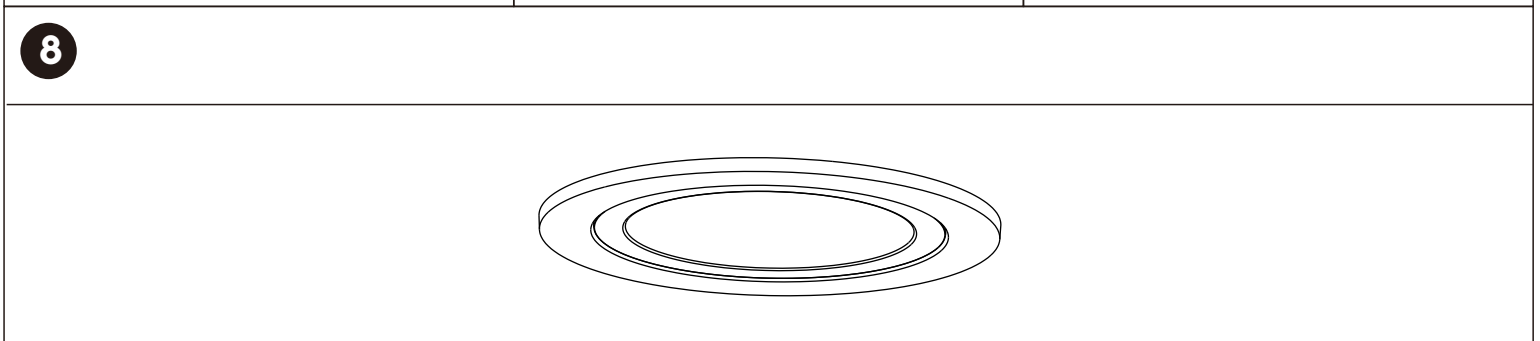
Hold the spring clip by hand and install it in the hole.



Fixed drive box, the installation is complete.



Switch on the power.



### Warnings:

1. Make sure that the product is installed properly before connecting to electricity.
2. Do not cover the fitting.
3. Maintenance and installation should only be carried out by a professional electrician.