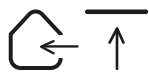




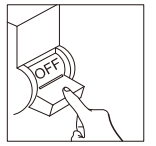
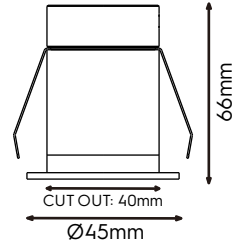
INSTALLATION MANUAL

KARIZMA luce

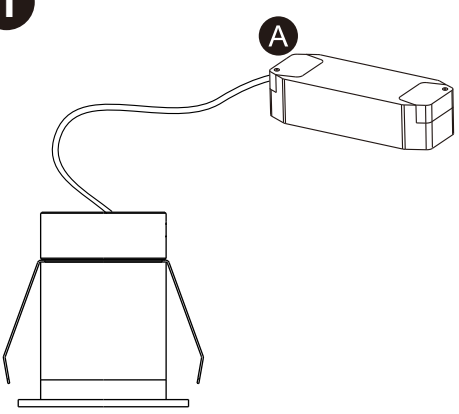
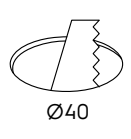
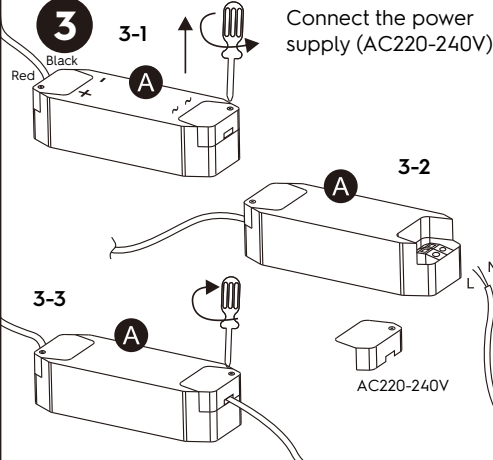
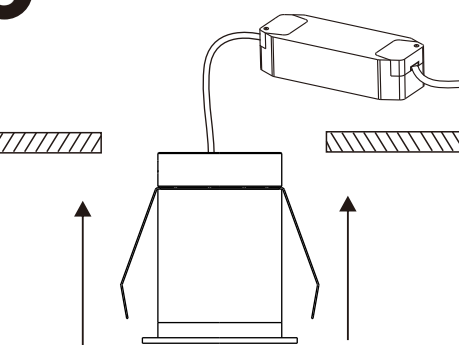
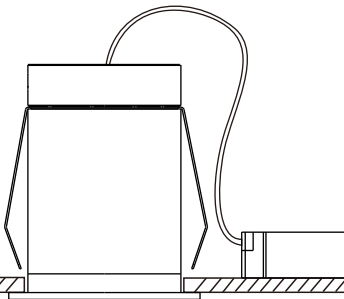
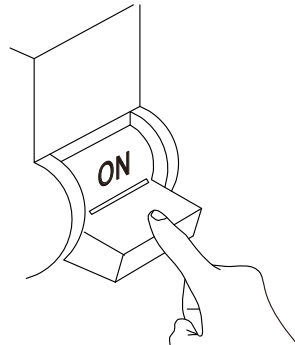
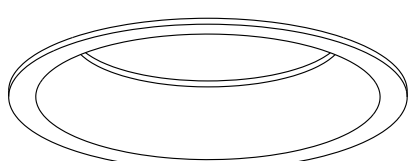
CASA XS



120mA @ 34V | AC220-240V | 50/60Hz | IP44
Die cast | Fixed



Do not operate with power supply connected.

<p>1</p> 	<p>2</p>  <p>Ø40</p> <p>Cut a hole in the ceiling with a diameter of 40mm.</p>	<p>3</p>  <p>Connect the power supply (AC220-240V)</p>
<p>5</p>  <p>Hold the spring clip by hand and install it in the hole.</p>	<p>6</p>  <p>Fixed drive box, the installation is complete.</p>	<p>7</p>  <p>Switch on the power.</p>
<p>8</p> 		

Warnings:

1. Make sure that the product is installed properly before connecting to electricity.
2. Do not cover the fitting.
3. Maintenance and installation should only be carried out by a professional electrician.