

A

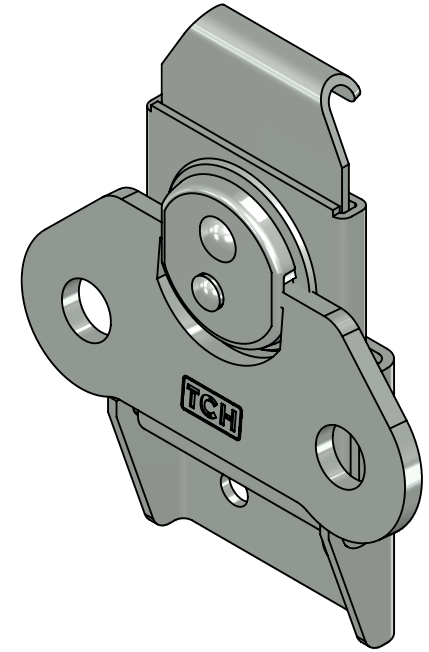
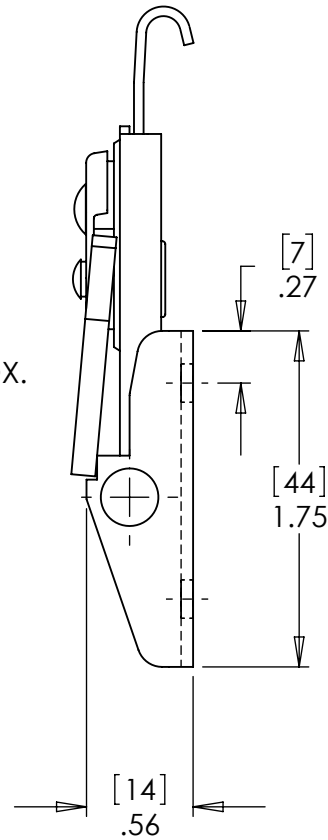
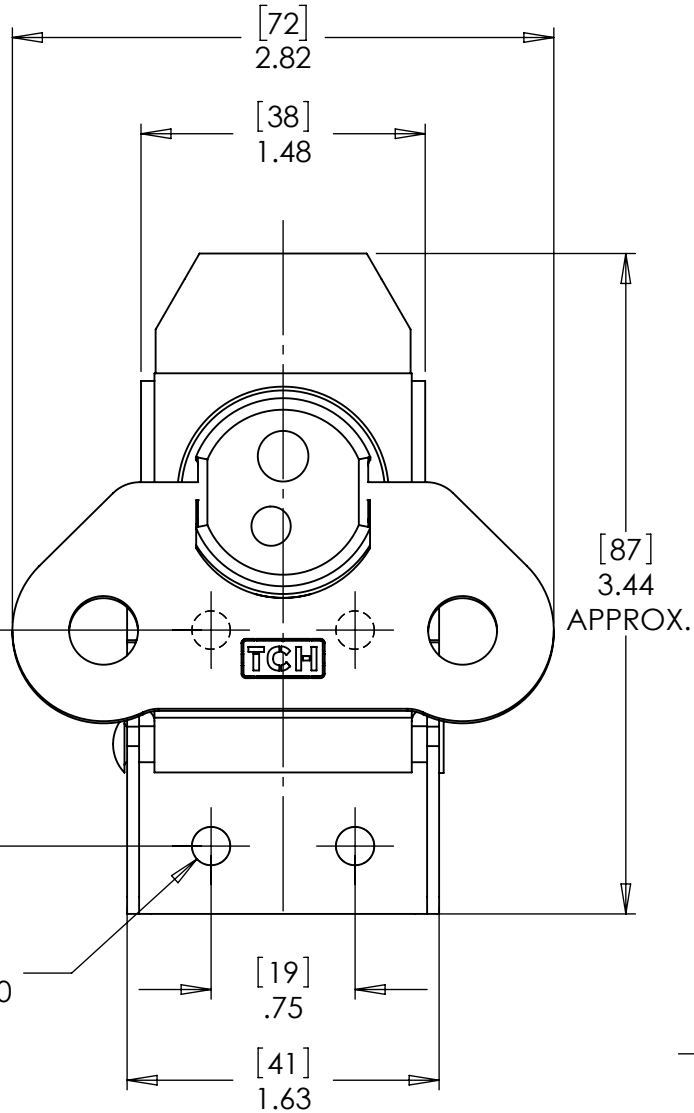
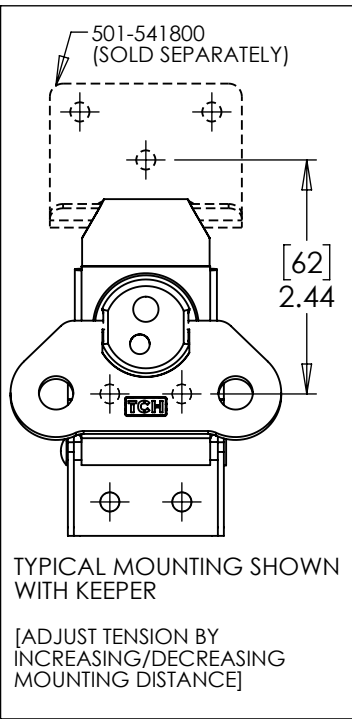
B

C

D

E

F



REVISIONS

REV.	DESCRIPTION	DATE	APPROVED
A	INITIAL RELEASE	08/15/2008	
B	DRAWING FORMAT UPDATE	09/14/2012	
C	TCH LOGO ADDED	06/16/2025	

NOTES:

- ALL DIMENSIONS ARE IN INCHES [MILLIMETERS]
- MATERIAL: STEEL
- FINISH: BRIGHT ZINC PLATE

THE INFORMATION CONTAINED IN THIS DRAWING IS THE SOLE PROPERTY OF TRANS CONTINENTAL HARDWARE. ANY REPRODUCTION IN PART OR AS A WHOLE WITHOUT THE WRITTEN PERMISSION OF TRANS CONTINENTAL HARDWARE IS PROHIBITED.



TRANS CONTINENTAL HARDWARE
TCHWEB.COM
1-800-465-6281

PART NAME		LARGE RIVETED TWIST LOCK	
MATERIAL		STEEL	
DRAWING NO.		501-2443800-CUST	
DATE	05/14/2008	SCALE	1:1
THIRD ANGLE PROJECTION DRAWING		REVISION NO.	
ALL DIMENSIONS WITHOUT TOLERANCES ARE REFERENCE		C	
SPECIFICATION SUBJECT TO CHANGE WITHOUT NOTICE			

A

B

C

D

E

F