



**Olympia Faucets**  
VALUE FOR BUILDERS

**L-6262BH**  
**Elite Series**



**Single Handle Lavatory Faucet**

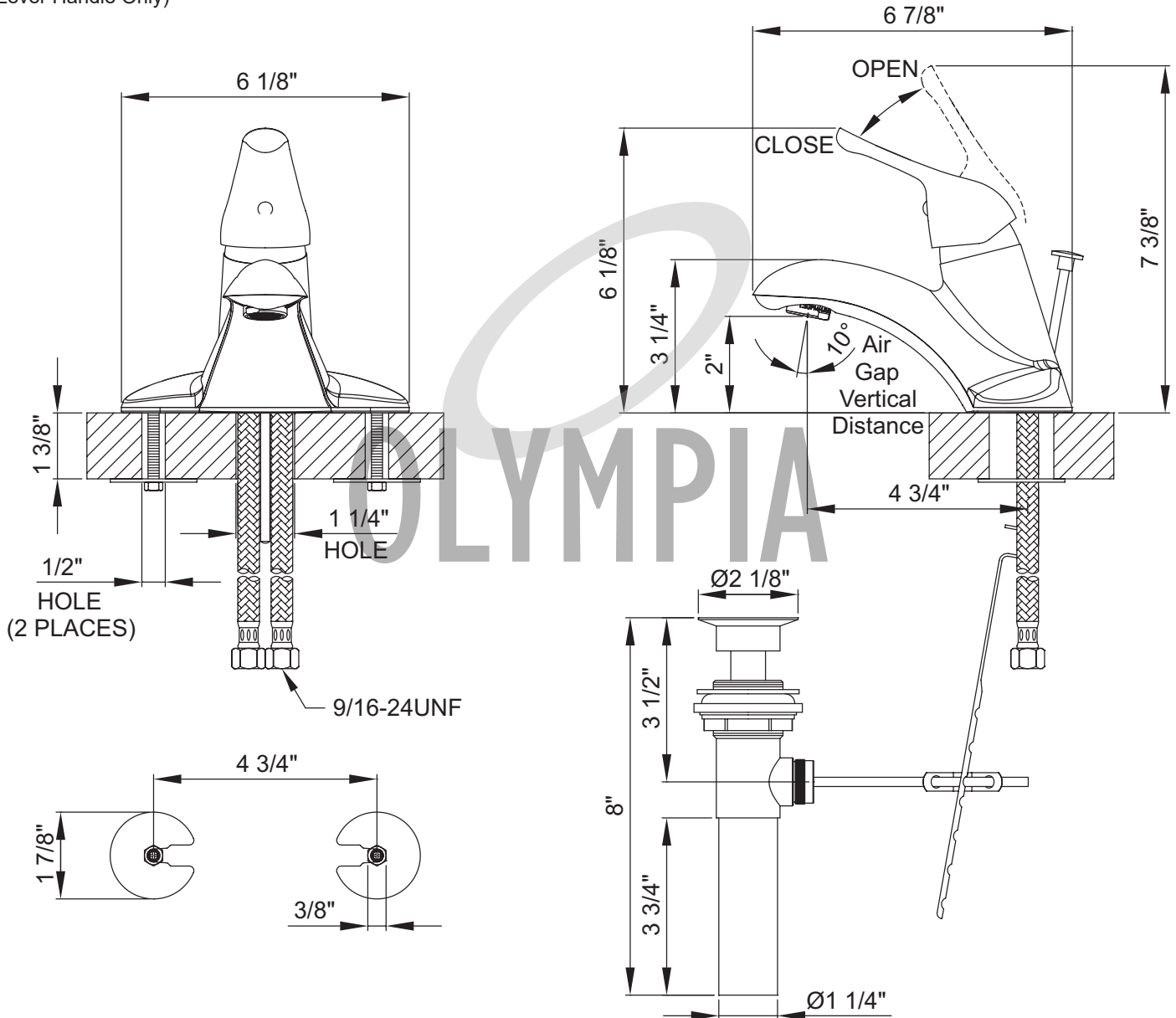
- Metal Lever Handle
- 4-3/4" Reach, 2" From Deck to Aerator
- Stainless Steel Ball Operation
- 3-Hole 4" Installation
- Brass Pop-Up Drain Assembly
- Easy-Install 18" Flex Supply Lines With 3/8" Connections
- With 1.2 GPM Flow Rate
- Builder Tract Pack

**Code and Standards**

- ASME A112.18.1-2018/CSA B125.1-18
- Cal Green
- NSF/ANSI/CAN 61
- Compliance with AB1953/S152/HB372
- NSF/ANSI 372
- EPA Watersense
- ADA: Compliance to ICC/ANSI A117.1 (Lever Handle Only)



\*For other finishes and flow rates offered, please visit our website, email an inquiry to [sales@pioneerind.com](mailto:sales@pioneerind.com) or contact our sales at 800-338-9468



**Brass Pop-Up Drain**