



PARTS BREAKDOWN SHEET



ACCENT TWO HANDLE ROMAN TUB VALVE TRIM ONLY



Model #: _____

Specific Features: _____

Project Name: _____

Submitted For: _____

Date: _____

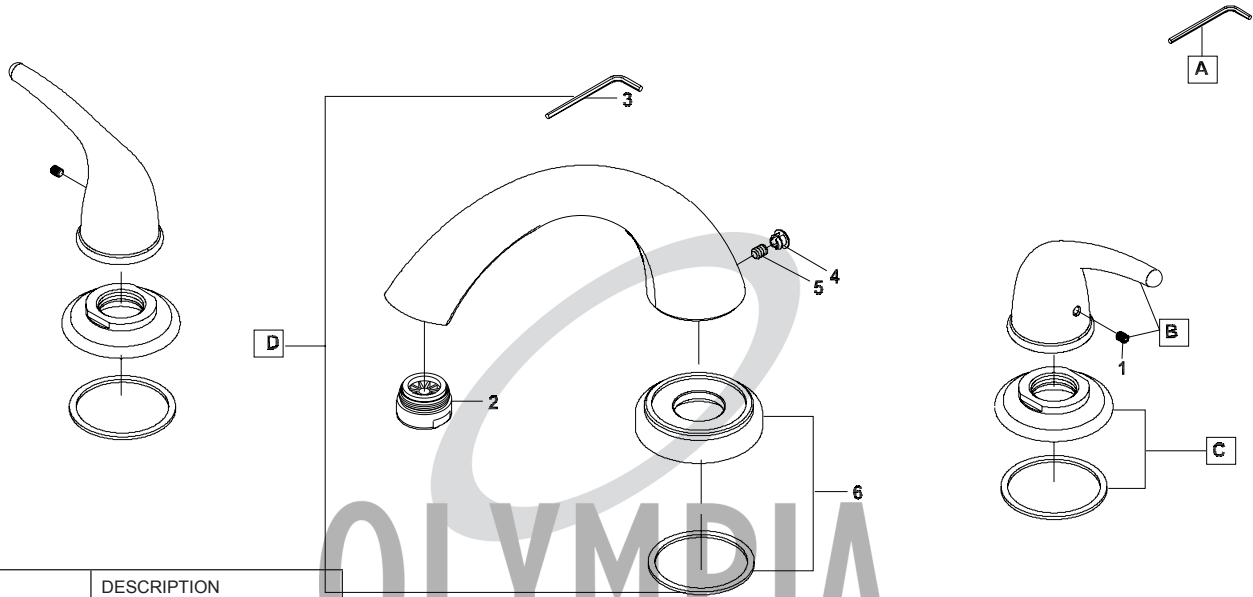
- Lever Handles
- 'C' Style Spout
- 7-1/2" Reach
- 3-Hole 8" to 16" Installation

P-1141T SHOWN **ADA**

Model #	Features	Finish	
P-1141T		CP	
P-1141T-BN		PVD BN	
P-1141T-ORB		ORB	

Olympia products are engineered and manufactured to meet the following standards and codes:

ASME A112.18.1
ANSI A117.1



ITEM #	DESCRIPTION
A	OP-490011 3/32" Allen Wrench
B	OP-140017* Lever Handle
C	OP-440031* Valve Escutcheon
D	OP-240007* Spout
1	OP-490029 Allen Screw
2	OP-440027* Male Thread Streamer
3	OP-490036 1/8" Allen Wrench
4	OP-440028* Button
5	OP-440029 Allen Screw
6	OP-440030* Spout Escutcheon

* Note- Please Specify finish\color code while ordering.