



INSTALLATION

PIONEER INDUSTRIES, INC.
 3325 S. Garfield Ave.
 Commerce, CA 90040
 (800) 338-9468
 www.pioneerind.com

Tools:



Model Number: 3MO160(-WD), 3MO163, 3MO18X(-WD), 3MO168

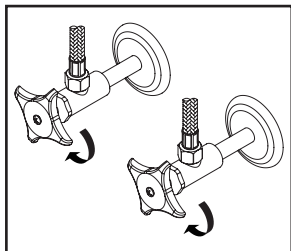


Warnings and Notes:

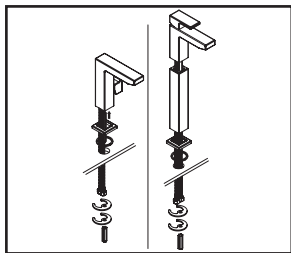
Check with local plumbing code requirements before installation.
 This product should be installed by a local listed plumber.
Do not use plumbers putty on threads.

Installation Steps:

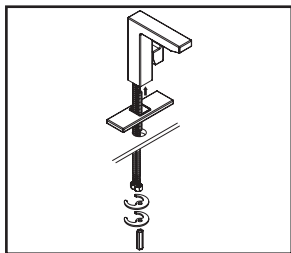
Single Handle Lavatory Faucet



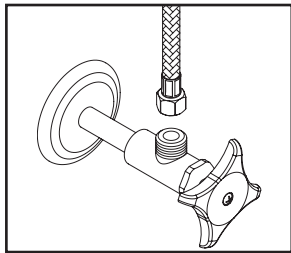
(1) Shut off the water supply. Remove old faucet. Clean mounting surface in preparation for new faucet.



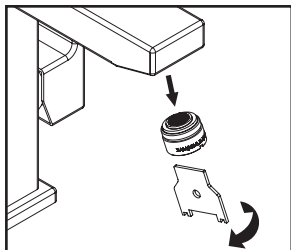
(2a) **For 1-Hole Installation:**- Install mounting bolt to the bottom of the faucet. Place 8" extension and align it for model # 3MO168. Place escutcheon with gasket under the faucet then place the faucet in position on the sink. Slide mounting washer and mounting plate through mounting bolt from underneath the sink, tighten locknut to mounting bolt.



(2b) **For 3-Hole Installation:**- Install mounting bolt to the bottom of the faucet. Place deck plate with gasket under the faucet then place faucet in position on the sink. Slide mounting washer and mounting plate through mounting bolt from underneath the sink, tighten locknut to mounting bolt.



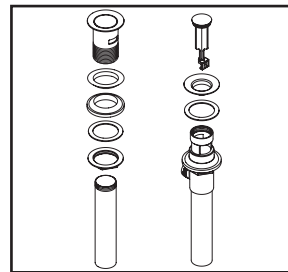
(3) Connect hot and cold inlet supply hoses to supply stops. For 1/2" connection; use 3/8" male to 1/2" female adapter for installation. Adapters are optional and not provided with the faucet. Turn on both sides of the supply stop.



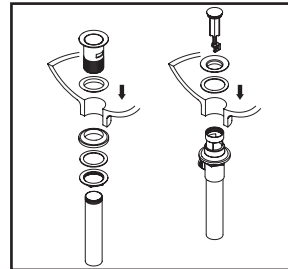
(4) Important: After installation is complete, remove the aerator. Turn on the water and allow both hot and cold water to run for at least one minute each. While water is running, check for leaks. Turn off the water and replace the aerator when finished.

Pop-up Drain Installation:

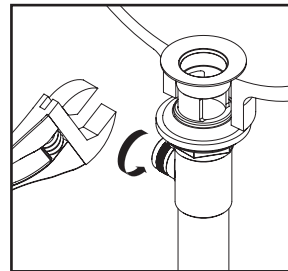
"DO NOT USE THREAD SEALANTS, TEFLON TAPE ONLY"
"NO USE SELLADORES DE ROSCA, UTILIZAR SOLO CINTA DE TEFLON"



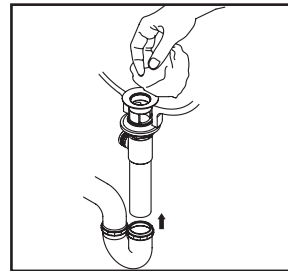
(1) Remove flange from drain body.



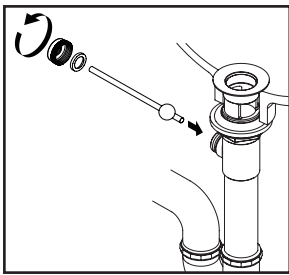
(2) Place a ring of plumbers putty on the bottom of the flange and apply Teflon tape on threaded tailpiece. Thread tailpiece to drain body. Insert flange through drain hole and attach drain body to flange from underneath the sink.
Please Note: Use Teflon tape only on all thread connection areas. Using pipe thread sealant might weaken material structure and cause leaks.



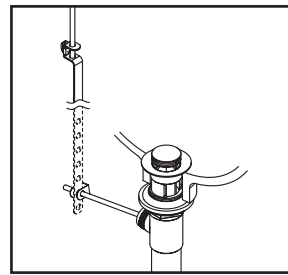
(3) Insert pop-up flange through drain hole and attach flange to the pop-up drain body. Apply Teflon tape on the threaded end of the tail piece and attach tail piece to the pop-up drain body. Ensure the pivot rod hole of the pop-up drain body faces towards the back of the sink. Tighten the locknut with the help of a wrench to secure the pop-up drain body.



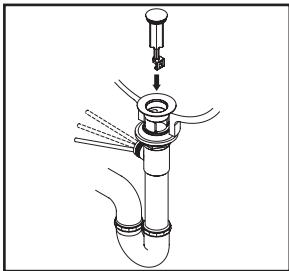
(4) Remove the excess plumbers putty. Connect the trap (check manufacturer's instructions for installation).



(5) Remove pivot rod nut from pop-up body, ensure the washers is in place, insert pivot rod, tighten pivot rod nut back to pop-up body.



(7) Connect lift rod strap to pivot rod by using clip. Tighten the thumbscrew to connect lift rod strap to pop-up lift rod.

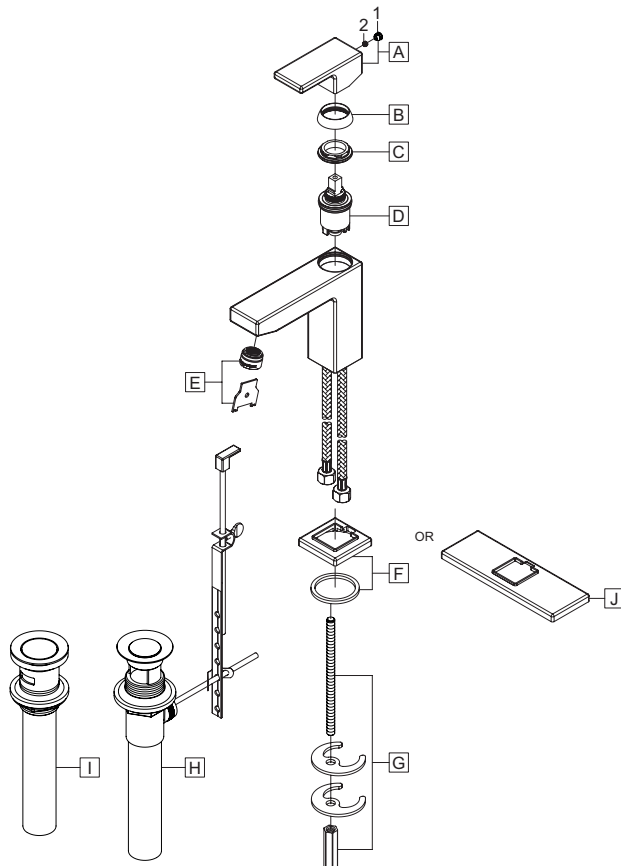


(6) Push pivot rod down, insert drain plug carefully. Test to ensure drain plug works properly.

Exploded Drawing (3MO16X(-WD)):

* Note: Please specify finish/color when ordering.

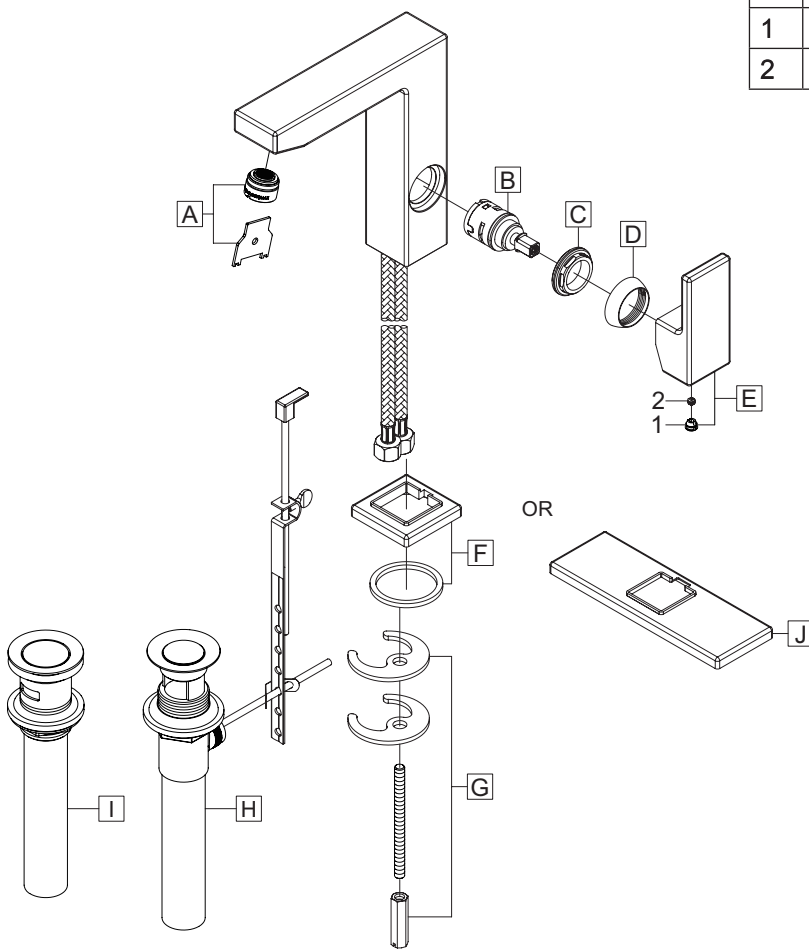
	ITEM #	DESCRIPTION
A	X-1300019*	Metal Lever Handle
B	X-4300088*	Cap
C	X-4300089	Locknut
D	X-3300006	Ceramic Disc Cartridge
E	OP-490062	1.2 GPM Aerator & Tool
F	X-4300091*	Escutcheon and Gasket
G	X-5300012	Mounting Kit
H	X-6300029*	Brass Pop-Up Drain Assembly (For 3MO160(-WD))
I	OP-630007*	Push Pop-Up Drain Assembly (For 3MO163)
J	X-4300087*	Deck Plate (For "WD" Suffix)
1	X-4900044*	Hole Cover
2	X-4400099	Allen Screw



Exploded Drawing (3MO18X(-WD)):

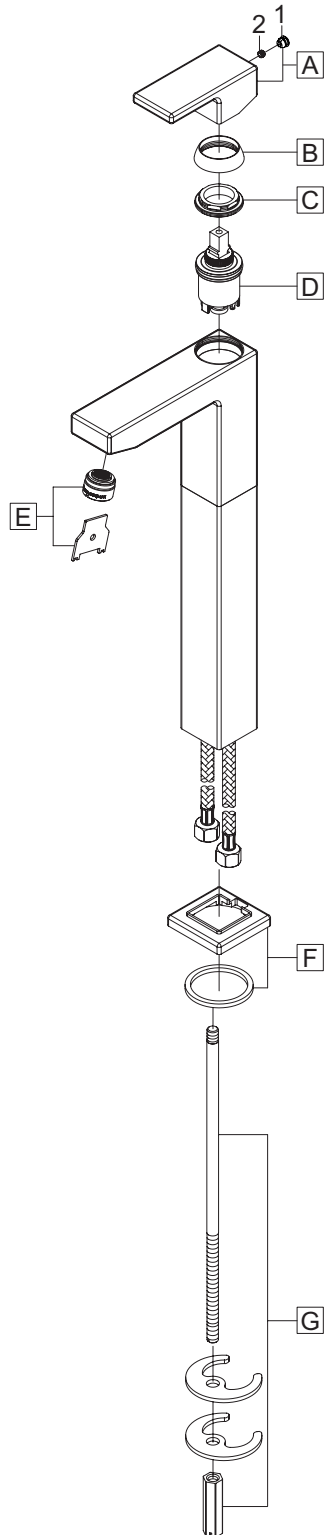
* Note: Please specify finish/color when ordering.

	ITEM #	DESCRIPTION
A	OP-490062	1.2 GPM Aerator & Tool
B	X-3300007	Ceramic Disc Cartridge
C	X-4300089	Locknut
D	X-4300088*	Cap
E	X-1300019*	Metal Lever Handle
F	X-4300091*	Escutcheon and Gasket
G	X-5900002	Mounting Kit
H	X-6300029*	Brass Pop-Up Drain Assembly (For 3MO180(-WD))
I	OP-630007*	Push Pop-Up Drain Assembly (For 3MO183(-WD))
J	X-4300087*	Deck Plate (For "WD" Suffix)
1	X-4900044*	Hole Cover
2	X-4400099	Allen Screw



Exploded Drawing (3MO168):

* Note: Please specify finish/color when ordering.



	ITEM #	DESCRIPTION
A	X-1300019*	Metal Lever Handle
B	X-4300088*	Cap
C	X-4300089	Locknut
D	X-3300006	Ceramic Disc Cartridge
E	OP-490062	1.2 GPM Aerator & Tool
F	X-4300091*	Escutcheon and Gasket
G	X-5300008	Mounting Kit
1	X-4900044*	Hole Cover
2	X-4400099	Allen Screw



For more care information or trouble shooting inquiries
 about your Pioneer product, please call:
Pioneer Industries, Inc. (800) 338-9468
 Monday-Friday 8 AM to 8 PM EST (5 AM to 5 PM PST)
www.pioneerind.com