



INSTALLATION

PIONEER INDUSTRIES, INC.
3325 S. Garfield Ave.
Commerce, CA 90040
(800) 338-9468
www.pioneerind.com

Tools:



Model Number: TD-4MO100, TD-4MO3X0, TD-4MT1XX,
TD-4MT3XX, TD-4MT400, TD-4PRX10

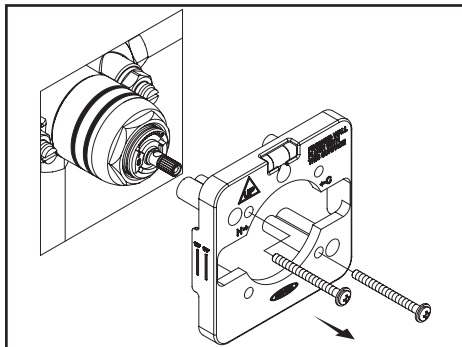


Warnings and Notes:

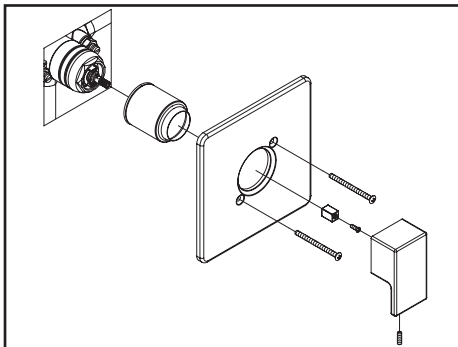
Check with local plumbing code requirements before installation.
This product should be installed by a local listed plumber.
Do not use plumbers putty on threads.

Installation Steps:

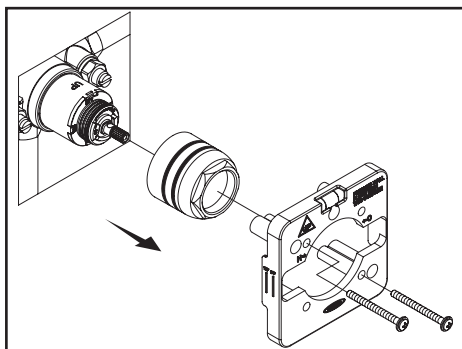
Single Handle Tub And Shower Trim Set



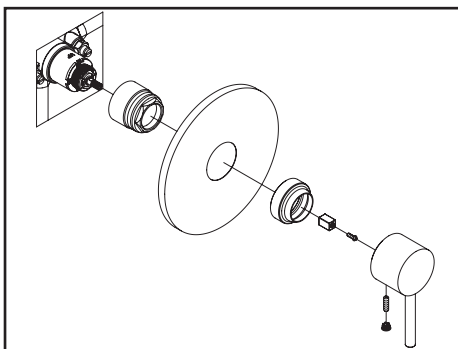
(1-1) For T-4MOXXX, T-4PRXXX Installation:- Remove mud guard.



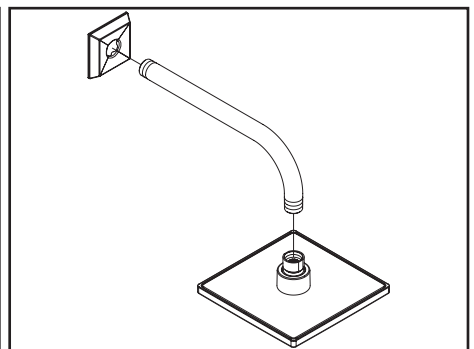
(1-2) Securely fasten the sleeve, affix the face plate, and then fix the handle.



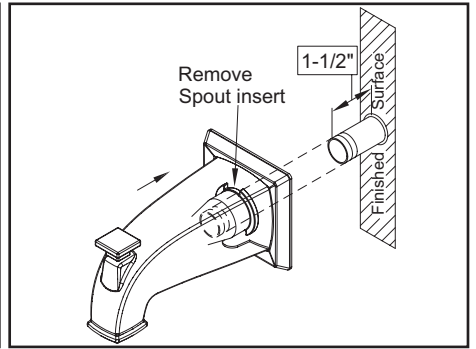
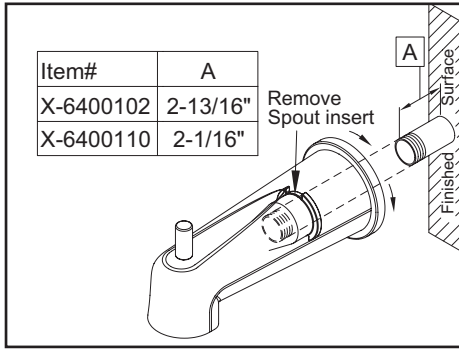
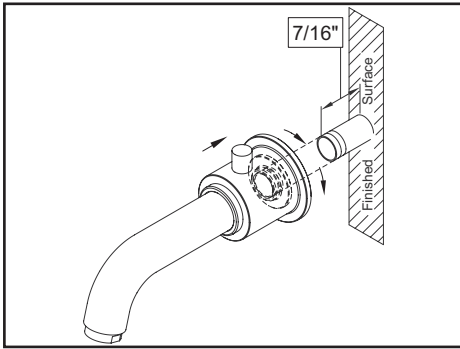
(2-1) When installing T-4MTXXX:- make sure to take off the mud guard and sleeve.



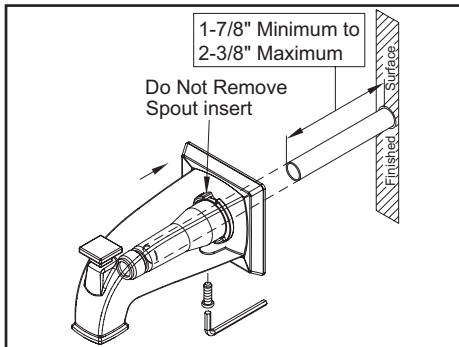
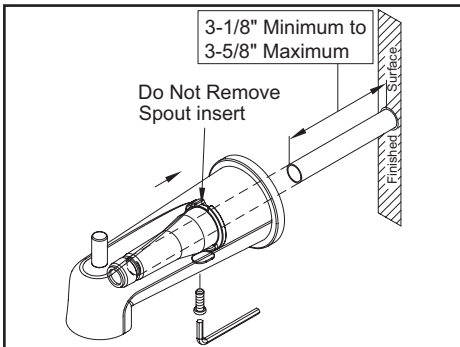
(2-2) Fasten the sleeve securely, attach the face plate, tighten the retaining nut, and then fit the handle.
CRUCIAL: MAKE SURE TO APPLY 15 INCH/LB TORQUE TO THE SLEEVE.



(3) Apply Teflon tape on both thread ends of the shower arm and install shower arm and shower head.



(4) For pipe thread nipple, remove spout insert and apply Teflon tape on thread of nipple, please see the distance charts on the installation .



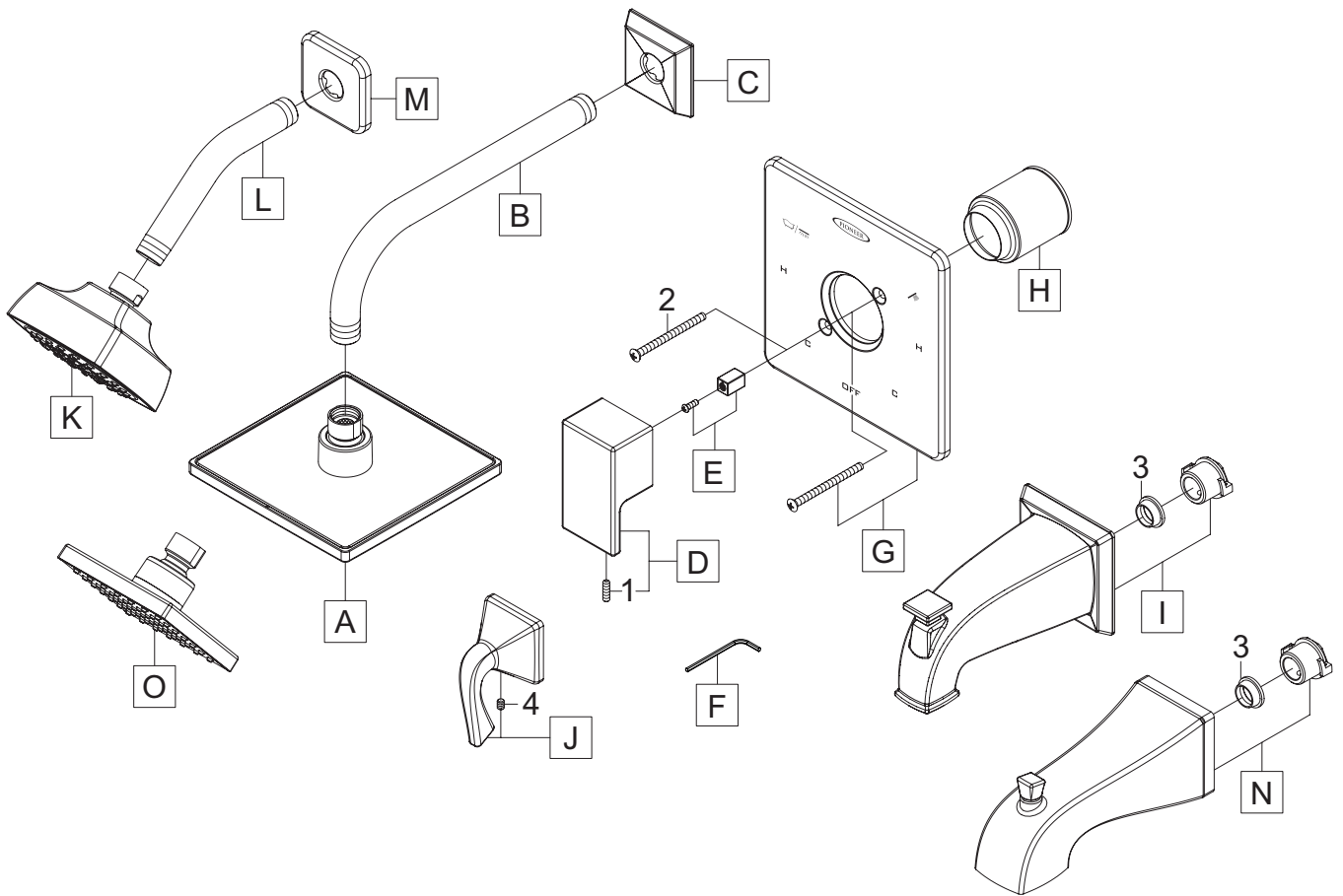
(5) For copper pipe, please refer to the distance charts on the above drawing to ensure correct installation of standard and extended spouts. The end of the copper pipe should be chamfered free of burrs to prevent cutting or nicking the O-ring and cone shape gasket inside the tub spout. Sand the outside surface of the copper pipe to remove nicks and scratches. If the series includes the spout escutcheon: Slide the spout escutcheon over the copper pipe, press and twist the tub spout until flush with the finished wall. Tighten the set screw to secure the tub spout.

Exploded Drawing : (TD-4MOXXX, TD-4PRX10)

* Note: Please specify finish/color when ordering.

ITEM #	DESCRIPTION
A X-6400088*	1.75 GPM Shower Head (For TD-4MOX00)
B X-6400104*	Shower Arm (For TD-4MOX00)
C X-6400103*	Shower Arm Flange (For TD-4MOX00)
D X-1400043*	Metal Lever Handle (For TD-4MOX00)
E X-4400116	Handle Adapter (For TD-4MOXX0)
F OP-490011	3/32" Allen Wrench
G X-4400123*	Face Plate
H OP-440054*	Sleeve
I X-6400086*	1/2" Combo Diverter Tub Spout (For TD-4MO100)
J X-1400046*	Lever Handle (For TD-4PRX10)

ITEM #	DESCRIPTION
K X-6400109*	1.75 GPM Shower Head (For TD-4PRX10)
L X-6400002*	Shower Arm (For TD-4PRX10, TD-4MO310)
M OP-640045*	Shower Arm Flange (For TD-4PRX10, TD-4MO310)
N X-6400110*	7" Extended Diverter Tub Spout (For TD-4PR110)
O OP-640042*	1.75 GPM Shower Head (For TD-4MO310)
1 X-4900080	Allen Screw (For TD-4MOXX0)
2 OP-440019*	Face Plate Screws
3 OP-640058	Gasket
4 X-4900002	Allen Screw (For TD-4PRX10)

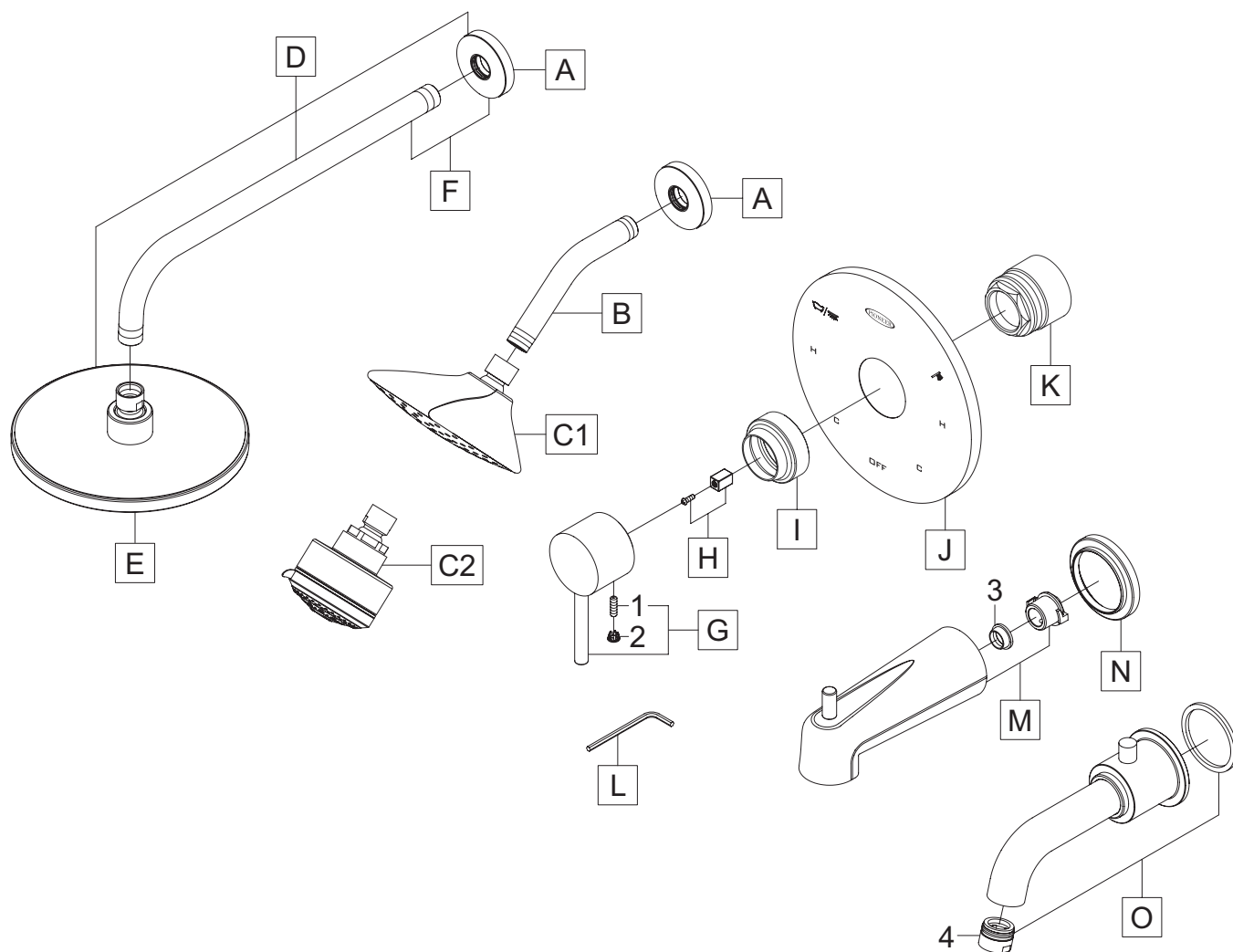


Exploded Drawing : (TD-4MTXXX)

* Note: Please specify finish/color when ordering.

	ITEM #	DESCRIPTION
A	X-6400011*	Shower Arm Flange
B	X-6400002*	Shower Arm (For TD-4MTX3X)
C1	X-6400083*	1.75 GPM Shower Head (For TD-4MTX3X)
C2	X-6400095*	1.75 GPM Shower Head (For TD-4MT110, TD-4MT300)
D	X-6400038*	Single Function Rain Showerhead W/Shower Arm and Flange (For T-D4MT315)
E	X-6400108*	1.75 GPM Shower Head (For TD-4MT315)
F	X-6400013	14" L Shower Arm and Shower Arm Flange (For TD-4MT315)
G	X-1400028*	Motegi Handle
H	X-4400116	Handle Adapter

	ITEM #	DESCRIPTION
I	OP-440082*	Retainer Ring
J	X-4400134*	Face Plate
K	OP-440080	Sleeve Nut
L	OP-490011	3/32" Allen Wrench
M	X-6400102*	7" Extended Diverter Tub Spout (For TD-4MT131)
N	X-4400105*	Escutcheon (For TD-4MT131)
O	X-6400051*	Diverter Tub Spout (For TD-4MT110)
1	X-4900080	3/32" Allen Screw
2	X-4900044*	Hole Cover
3	OP-640058	Gasket
4	X-4400042*	Flow Streamer (For TD-4MT110)



For more care information or trouble shooting inquiries about your Pioneer product, please call:
Pioneer Industries, Inc. (800) 338-9468
 Monday-Friday 8 AM to 8 PM EST (5 AM to 5 PM PST)
www.pioneerind.com



OLYMPIA FAUCETS, INC.
 3325 S. Garfield Ave.
 Commerce, CA 90040
 (888) 772-7701
 www.olympiafaucets.com

INSTALLATION

Tools:



Power Drill



Silicone Sealant



Teflon Tape



Rags

Model Number: P-4440, P-4441, P-4450, P-4460

Warnings and Notes:

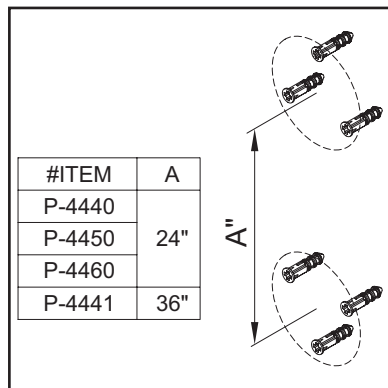
Check with local plumbing code requirements before installation.

This product should be installed by a local listed plumber.

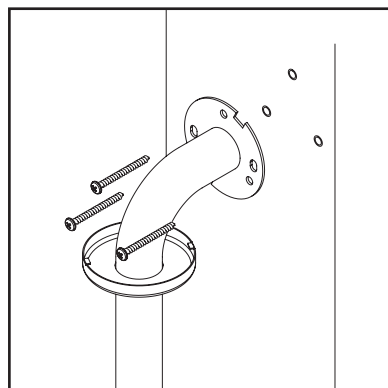
Do not use plumbers putty on threads.

Installation Steps:

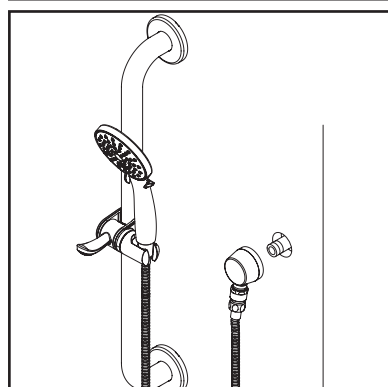
Handheld Shower Set



(1) Locate where to install the slide/grab bar and use a pen to mark the location of all six mounting screws. Use a power drill to drill 5/16" screw holes. Insert the screw anchors into the holes and hammer them flush to the wall as shown in the drawing.



(2) Secure the slide/grab bar on the wall by tightening the mounting screws into the screw anchors. Place both flanges to cover the mounting screws as shown in the drawing.

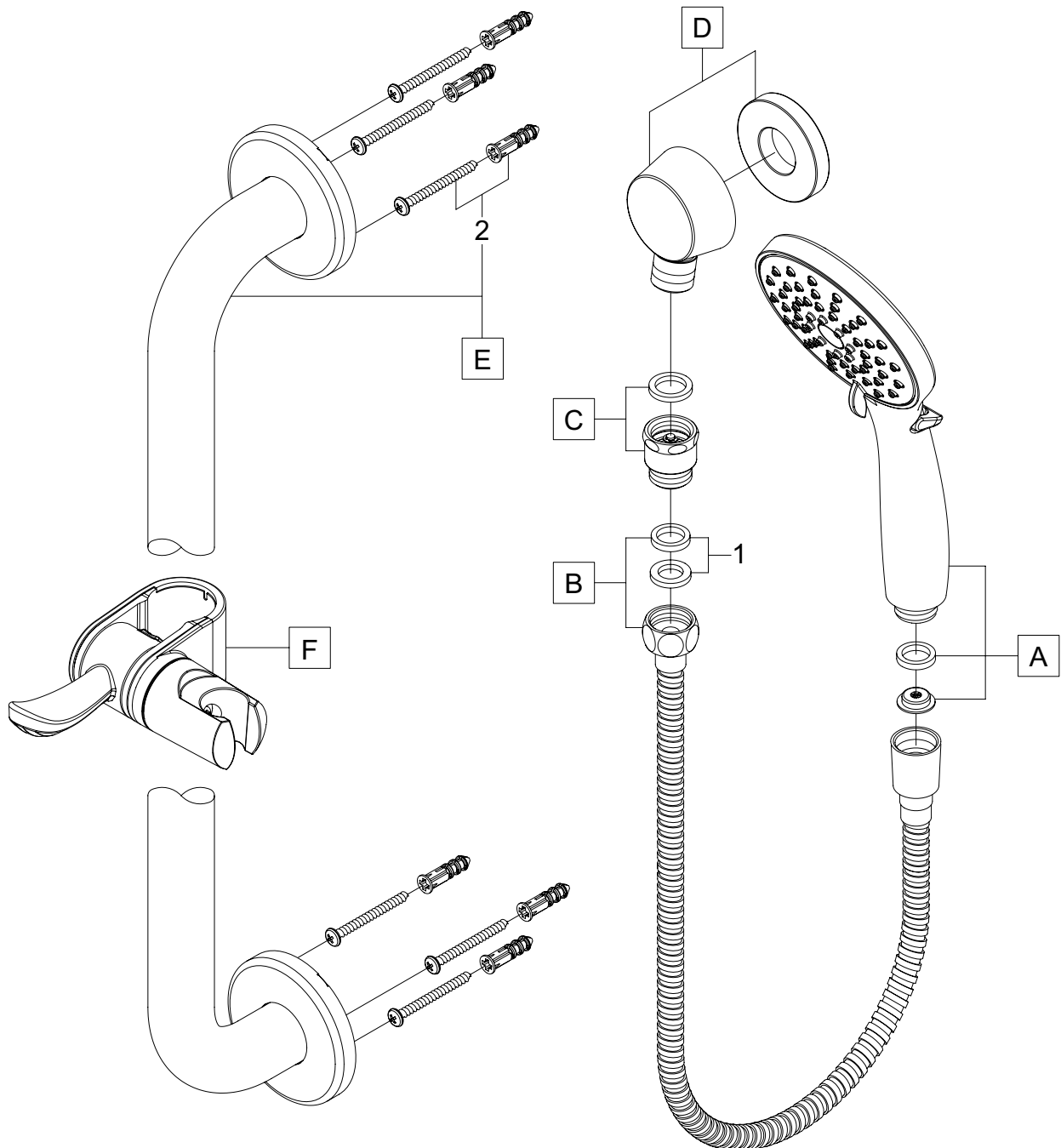


(3) Apply Teflon tape on the thread end of the pipe nipple and attach the drop ell to the pipe nipple. Connect the handheld shower and vacuum breaker to the hose and attach the hose to the drop ell. Turn on the water to check for any leaks.

Exploded Drawing: (P-444X)

* Note: Please specify finish/color when ordering.

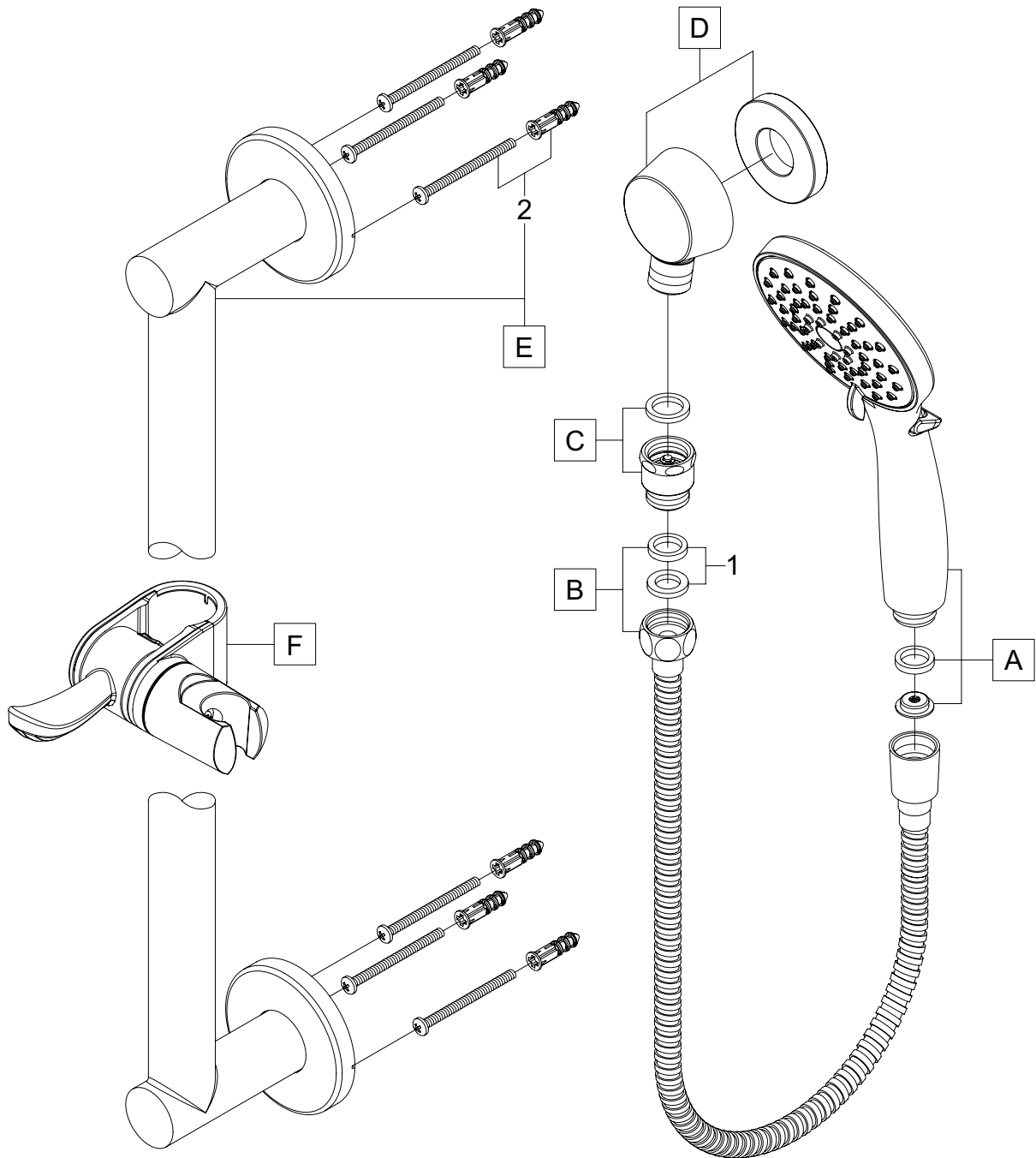
	ITEM #	DESCRIPTION
A	OP-660008*	1.75 GPM Handheld Showerhead
B	OP-460027*	60" SST Hose
C	OP-460020*	Vacuum Breaker
D	OP-460006*	Drop Ell
E1	GB24*	24" Slide/Grab Bar (For P-4440)
E2	GB36*	36" Slide/Grab Bar (For P-4441)
F	OP-460029*	Handheld Shower Holder
1	OP-460025	Washers
2	OP-460030	Mounting Kit



Exploded Drawing: (P-4450)

* Note: Please specify finish/color when ordering.

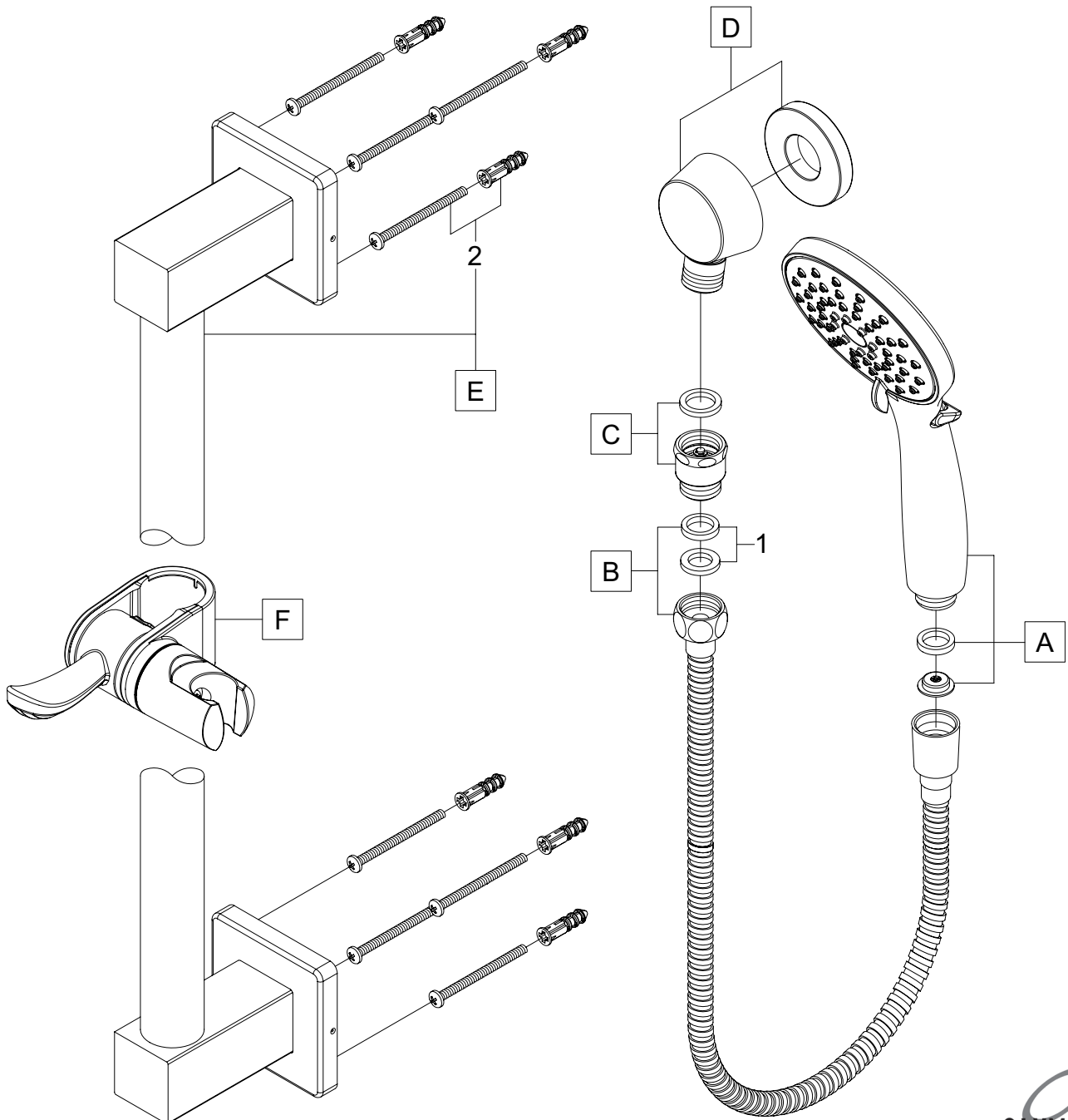
	ITEM #	DESCRIPTION
A	OP-660008*	1.75 GPM Handheld Showerhead
B	OP-460027*	60" SST Hose
C	OP-460020*	Vacuum Breaker
D	OP-460006*	Drop Ell
E	GB124*	24" Slide/Grab Bar
F	OP-460029*	Handheld Shower Holder
1	OP-460025	Washers
2	OP-460035	Mounting Kit



Exploded Drawing: (P-4460)

* Note: Please specify finish/color when ordering.

	ITEM #	DESCRIPTION
A	OP-660008*	1.75 GPM Handheld Showerhead
B	OP-460027*	60" SST Hose
C	OP-460020*	Vacuum Breaker
D	OP-460006*	Drop Ell
E	GB224*	24" Slide/Grab Bar
F	OP-460029*	Handheld Shower Holder
1	OP-460025	Washers
2	OP-460037	Mounting Kit



OLYMPIA

For more care information or trouble shooting inquiries
about your Olympia product, Please call:
OLYMPIA FAUCETS, INC. (888) 772-7701
Monday-Friday 8 AM to 8 PM EST (5 AM to 5 PM PST)
www.olympiafaucets.com