

PARTS BREAKDOWN SHEET



i2 SINGLE HANDLE PULL-DOWN KITCHEN FAUCET



Model #: _____

Specific Features: _____

Project Name: _____

Submitted For: _____

Date: _____

- Lever Handle
- Pull-Down Head with 2 Spray Patterns Swivel 360°
- 7-5/8" Reach, 7-1/4" From Deck to Aerator
- Ceramic Disc Cartridge
- 1 or 3-Hole 8" Installation
- Easy-Install 30" Flex Supply Lines With 3/8" Connections
- Deck Cover Plate Included
- 21-1/4" Overall Height

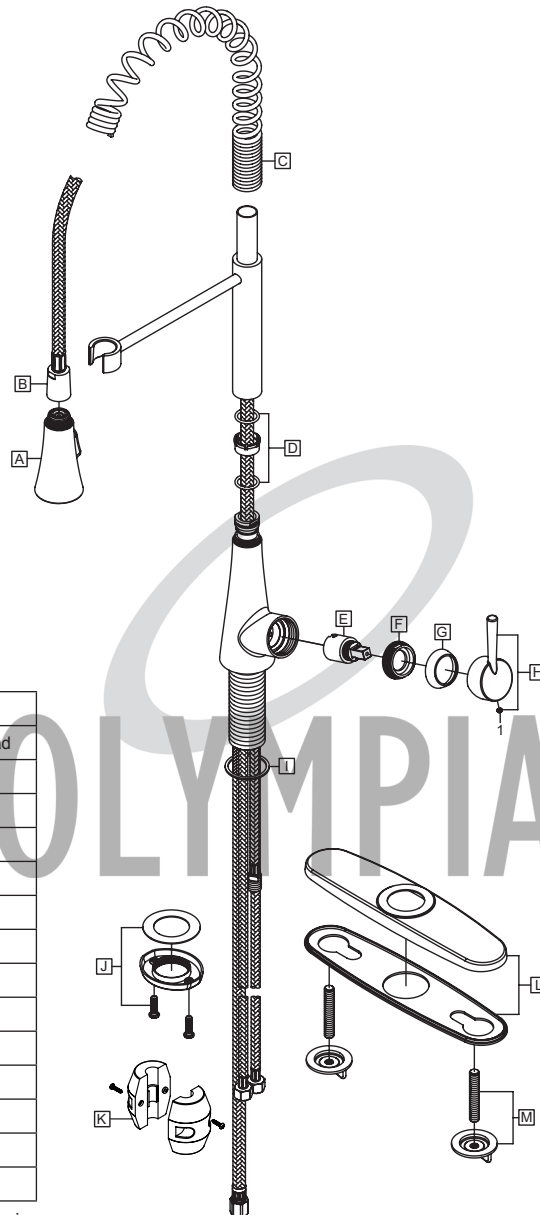
K-5010 SHOWN **ADA**

| Model # | Features | Finish | |
|------------|----------|--------|--|
| K-5010* | | CP | |
| K-5010-BN* | | PVD BN | |

* Aerator limited to 1.8 GPM Flow Rate

Olympia products are engineered and manufactured to meet the following standards and codes:

- ASME A112.18.1
- ANSI A117.1
- ANSI / NSF 61, SECTION 9
- CONTAINS NO MORE THAN 0.25% WEIGHTED AVERAGE LEAD CONTENT



| ITEM # | DESCRIPTION |
|--------|---|
| A | OP-420067* 1.8 GPM Pull-Down Spray Head |
| B | X-4200189* Spray Head Flex Hose |
| C | OP-420069* Spring |
| D | OP-420056 Spout Repair Kit |
| E | OP-390003 Ceramic Disc Cartridge |
| F | OP-420057 Retainer Nut |
| G | OP-420058* Cap |
| H | OP-120004* Lever Handle |
| I | OP-420059 Washer |
| J | OP-520015 Mounting Kit with Screws |
| K | OP-420062 Weight |
| L | OP-420045* Deck Plate |
| M | OP-520003 Mounting Kit |
| 1 | OP-420061 Allen Screw |

* Note- Please Specify finish\color code while ordering.

PARTS BREAKDOWN SHEET



i2 SINGLE HANDLE PULL-DOWN KITCHEN FAUCET



Model #: _____

Specific Features: _____

Project Name: _____

Submitted For: _____

Date: _____

- Lever Handle
- Pull-Down Head with 2 Spray Patterns Swivel 360°
- 7-5/8" Reach, 7-1/4" From Deck to Aerator
- Ceramic Disc Cartridge
- 1 or 3-Hole 8" Installation
- Easy-Install 30" Flex Supply Lines With 3/8" Connections
- Deck Cover Plate Included
- 21-1/4" Overall Height

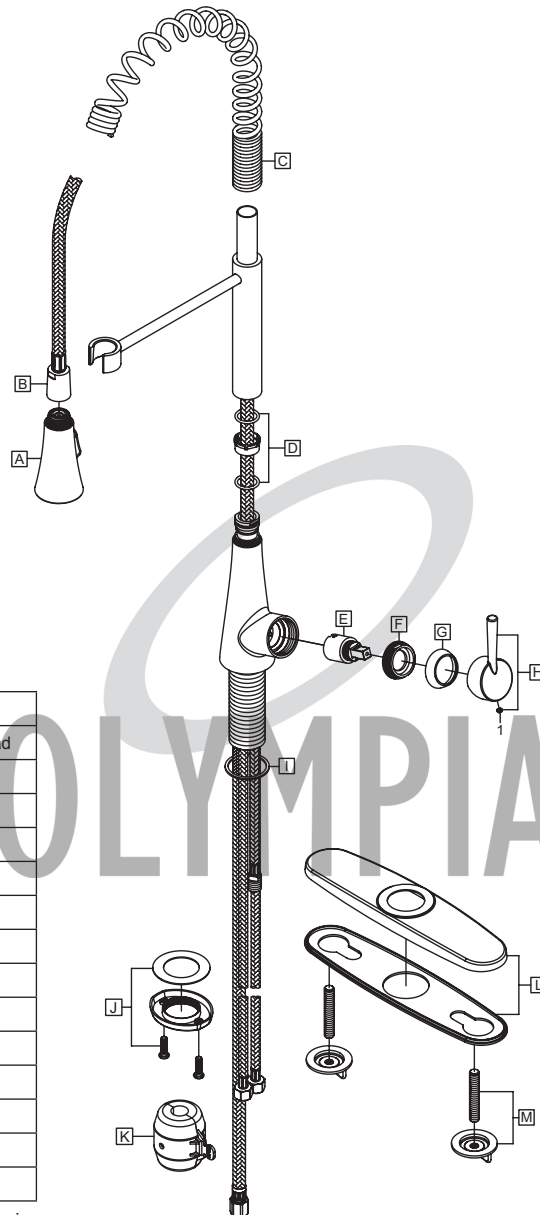
K-5010 SHOWN **ADA**

| Model # | Features | Finish | |
|------------|----------|--------|--|
| K-5010* | | CP | |
| K-5010-BN* | | PVD BN | |

* Aerator limited to 1.8 GPM Flow Rate

Olympia products are engineered and manufactured to meet the following standards and codes:

- ASME A112.18.1
- ANSI A117.1
- ANSI / NSF 61, SECTION 9
- CONTAINS NO MORE THAN 0.25% WEIGHTED AVERAGE LEAD CONTENT



| ITEM # | DESCRIPTION |
|--------|---|
| A | OP-420067* 1.8 GPM Pull-Down Spray Head |
| B | X-4200189* Spray Head Flex Hose |
| C | OP-420069* Spring |
| D | OP-420056 Spout Repair Kit |
| E | OP-390003 Ceramic Disc Cartridge |
| F | OP-420057 Retainer Nut |
| G | OP-420058* Cap |
| H | OP-120004* Lever Handle |
| I | OP-420059 Washer |
| J | OP-520015 Mounting Kit with Screws |
| K | OP-420070 Click Weight |
| L | OP-420045* Deck Plate |
| M | OP-520003 Mounting Kit |
| 1 | OP-420061 Allen Screw |

* Note- Please Specify finish\color code while ordering.

PARTS BREAKDOWN SHEET

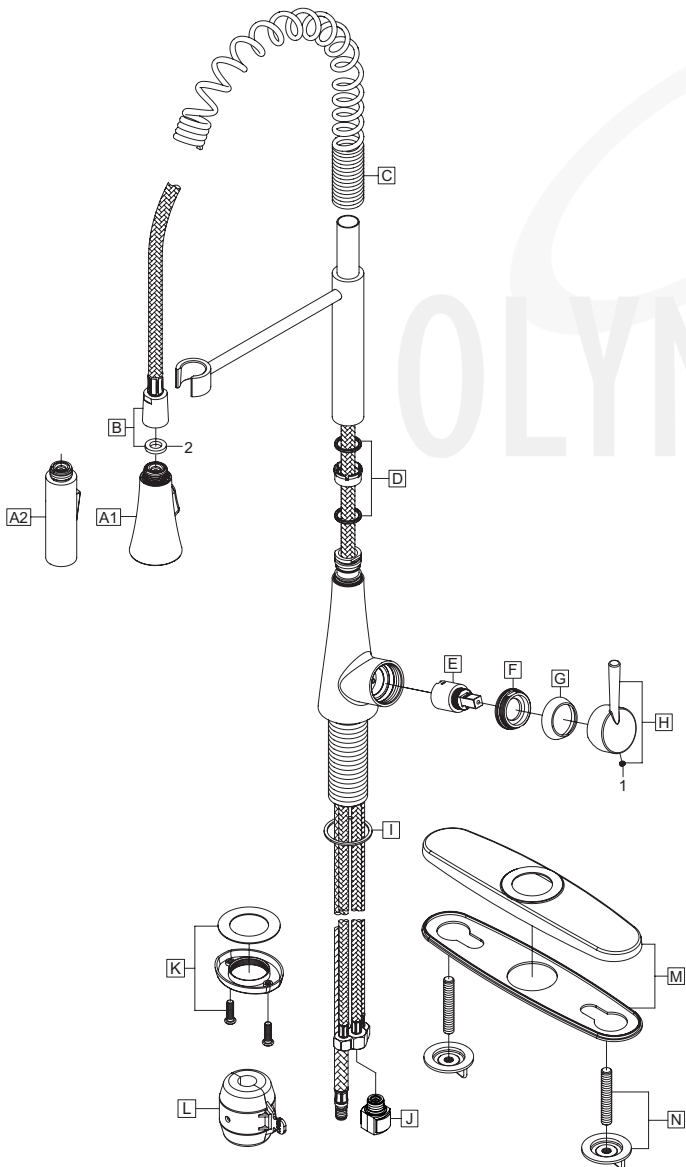


Model Number: K-5010

* Note: Please specify finish/color when ordering.

* Note - Parts J includes only on the product purchased after March 2019.

| | ITEM # | DESCRIPTION |
|----|------------|---------------------------------|
| A1 | OP-420067* | 1.8 GPM Spray Head (For K-5010) |
| | OP-420082* | 1.5 GPM Spray Head (For K-5010) |
| A2 | X-4200181* | 1.8 GPM Spray Head (For K-5015) |
| B | X-4200198* | Spray Hose |
| C | OP-420069* | Spring |
| D | X-4200191 | Spout Repair Kit |
| E | OP-390003 | Ceramic Disc Cartridge |
| F | OP-420057 | Retainer Nut |
| G | OP-420058* | Cap |
| H | OP-120004* | Lever Handle |
| I | OP-420059 | Washer |
| J | X-4200199 | Quick Connect |
| K | OP-520015 | Locknut with Screws |
| L | OP-420070 | Weight |
| M | OP-420045* | Deck Plate & Base Gasket |
| N | OP-520003 | Mounting Bolts & Nuts |
| 1 | OP-420061 | Allen Screw |
| 2 | OP-420075 | Washer |



PARTS BREAKDOWN SHEET

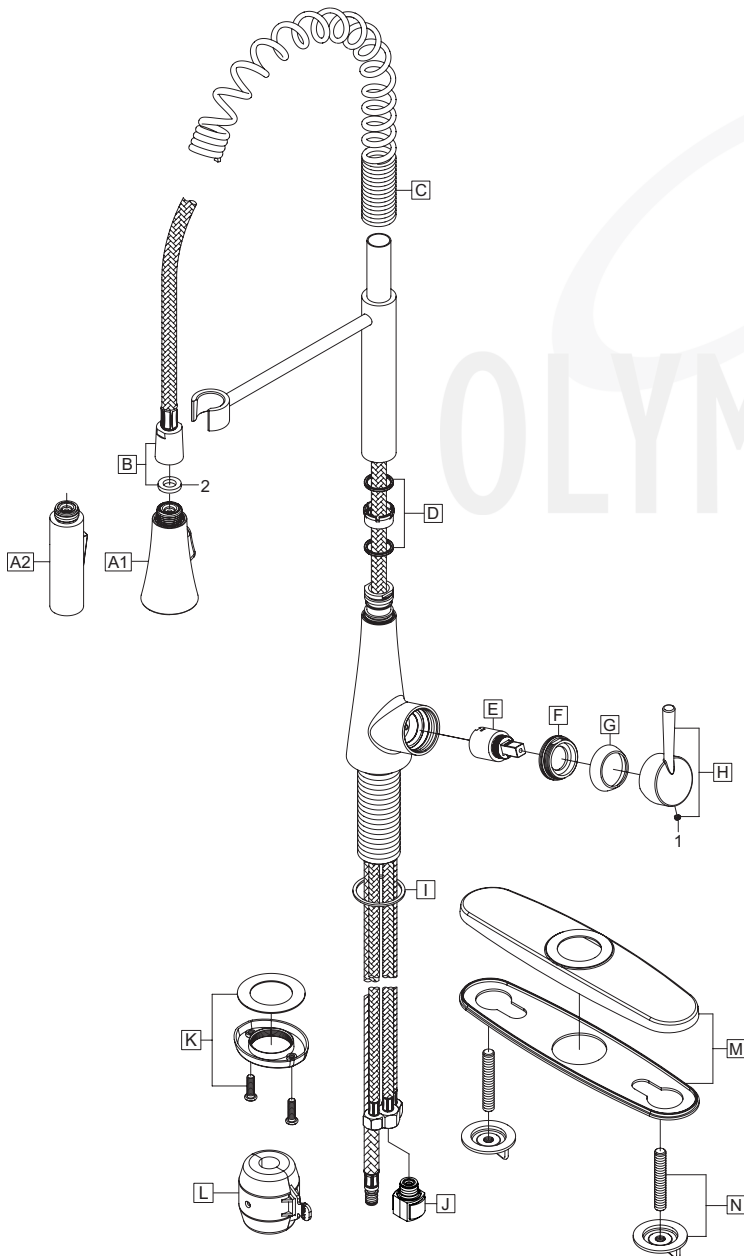


Model Number: K-5010, K-5015

* Note: Please specify finish/color when ordering.

* Note: 1.8 GPM Spray Head replaced by 1.5 GPM Spray Head for product purchased after March 2020.

| | ITEM # | DESCRIPTION |
|----|------------|---------------------------------|
| A1 | OP-420082* | 1.5 GPM Spray Head (For K-5010) |
| A2 | X-4200194* | 1.5 GPM Spray Head (For K-5015) |
| B | X-4200198* | Spray Hose |
| C | OP-420069* | Spring |
| D | X-4200191 | Spout Repair Kit |
| E | OP-390003 | Ceramic Disc Cartridge |
| F | OP-420057 | Retainer Nut |
| G | OP-420058* | Cap |
| H | OP-120004* | Lever Handle |
| I | OP-420059 | Washer |
| J | X-4200199 | Quick Connect |
| K | OP-520015 | Locknut with Screws |
| L | OP-420070 | Weight |
| M | OP-420045* | Deck Plate & Base Gasket |
| N | OP-520003 | Mounting Bolts & Nuts |
| 1 | OP-420061 | Allen Screw |
| 2 | OP-420075 | Washer |



PARTS BREAKDOWN SHEET



Model Number: K-5010, K-5015

* Note: Please specify finish/color when ordering.

| | ITEM # | DESCRIPTION |
|----|------------|---------------------------------|
| A1 | OP-420082* | 1.5 GPM Spray Head (For K-5010) |
| A2 | X-4200194* | 1.5 GPM Spray Head (For K-5015) |
| B | X-4200209* | Spray Head Hose |
| C | OP-420069* | Spring |
| D | X-4200191 | Spout Repair Kit |
| E | OP-390003 | Ceramic Disc Cartridge |
| F | OP-420057 | Retainer Nut |
| G | OP-420058* | Cap |
| H | OP-120004* | Lever Handle |
| I | OP-420059 | Washer |
| J | X-4200199 | Quick Connect |
| K | OP-520015 | Locknut with Screws |
| L | OP-420093 | Rolling Weight With Adapter |
| M | OP-420045* | Deck Plate & Base Gasket |
| N | OP-520003 | Mounting Bolts & Nuts |
| 1 | OP-420061 | Allen Screw |
| 2 | OP-420075 | Washer |

