



# ENGINEERING EXCELLENCE

Del Mar Series #3DM200

PARTS BREAKDOWN SHEET

### DESCRIPTION

- Two Handle Lavatory Wide-spread Faucet
- Metal Lever Handles
- Rigid C Style Spout
- 5-7/8" Reach, 2-1/8" From Deck to Aerator
- Ceramic Disc Cartridges
- 3-Hole 6" to 16" Installation
- Brass Pop-Up Drain Assembly

### FINISHES

- PC Polished Chrome
- BN PVD Brushed Nickel
- ORB Oil Rubbed Bronze
- MZ Moroccan Bronze



#3DM200 SHOWN \* ADA 

### STANDARDS APPLICABLE

- ASME A112.18.1
- ANSI A117.1
- ANSI / NSF 61, SECTION 9
- CUPC / IAPMO LISTED / ADA COMPLIANT
- CONTAINS NO MORE THAN 0.25% WEIGHTED AVERAGE LEAD CONTENT

### FLOW

- Aerator Limited to 1.5 GPM



Model #: \_\_\_\_\_

Specific Features: \_\_\_\_\_

Project Name: \_\_\_\_\_

Submitted For: \_\_\_\_\_

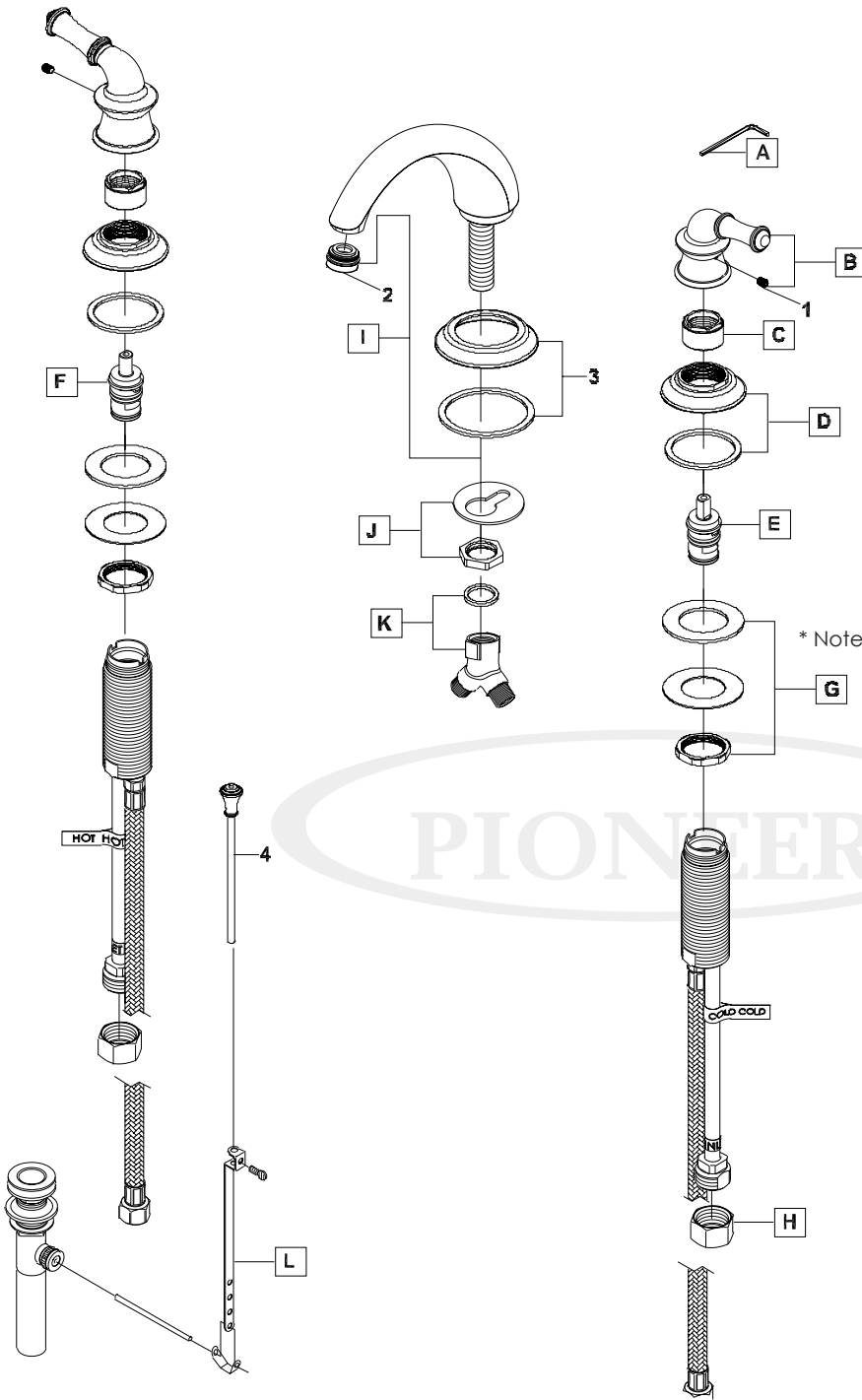
Model	Description	Finishes	
#3DM200	Two Handle Lavatory Widespread Faucet	<input type="checkbox"/> PC	<input type="checkbox"/> Other____



ENGINEERING EXCELLENCE

Pioneer: 1-800-338-9468  
 Commerce, CA 90040  
 www.pioneerind.com  
 Pioneer Industries, Inc. © 2016

DMPB3DM200/REV. 08 2016  
 Page 1 of 2



	ITEM#	DESCRIPTION
A	X-4900024	3/32" Allen Wrench
B	X-1200006*	Del Mar Handle
C	X-4900022	Bonnet Nut
D	X-4900023*	Handle Escutcheon
E	X-3900002C	Ceramic Stem - Cold
F	X-3900002H	Ceramic Stem - Hot
G	X-5900001	Mounting Kit
H	X-4900004	Supply Nut
I	X-2300001*	Del Mar 'C' Spout
J	X-5300002	Spout Mounting Kit
K	X-4900020	'Y' Connector & Washer
L	X-6300012*	Pop-Up
1	X-4900002	Allen Screw
2	X-4300063*	1.5 GPM Aerator
3	X-4300010*	Spout Escutcheon
4	X-4300041*	Pop-Up Lift Rod

\* Note- Please specify finish/color code while ordering.

Product Diagram



ENGINEERING EXCELLENCE

Pioneer: 1-800-338-9468  
 Commerce, CA 90040  
 www.pioneerind.com  
 Pioneer Industries, Inc. © 2016



**PARTS BREAKDOWN SHEET** ENGINEERING EXCELLENCE

**Model Number: 3DM200, 3DM300**

\* Note- Please Specify finish\color code while ordering.

\* Note - Parts D includes only on the product purchased after March 2019.

	ITEM #	DESCRIPTION
A	X-4900024	3/32" Allen Wrench
B	X-1900005*	DM Lever Handle
C	X-4900023*	Valve Escutcheon & Gasket
D	OP-530006	Valve Mounting Kit
E	X-4900022	Bonnet Nut
F	OP-330002C, H	Ceramic Stem-Cold, Hot
G	X-2300027*	DM 'C' Spout (For 3DM200)
H	X-5300003	Spout Mounting Kit
I	X-4300101	'Y' Connector
J	X-22300028	DM 'J' Spout (For 3DM300)
K	X-6300012*	Brass Pop-Up Drain Assembly
1	X-4900002	3/32" Allen Screw
2	X-4300098*	1.2 GPM Aerator (For 3DM200)
3	X-4300010*	Spout Escutcheon & Gasket (For 3DM200)
4	OP-490065*	1.2 GPM Aerator (For 3DM300)

