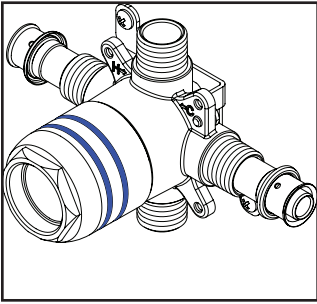




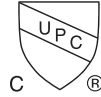
Olympia Faucets
VALUE FOR BUILDERS

**V-2400B-VG
Valve Series**



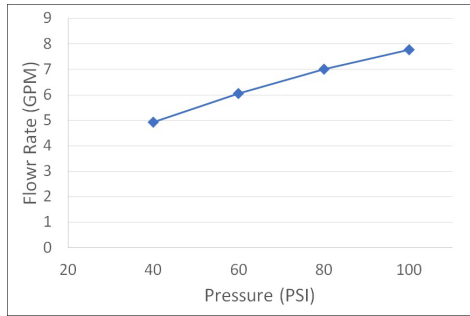
Single Handle Tub/Shower Pressure Balancing Valve

- Viega Pureflow Press factory installed fittings at inlets and Combo CXC and IPS Outlets
- Pressure Balancing Cartridge Ships with Trims
- Stainless Steel Mounting Bracket
- Test Cap Allows Pressure Testing 150 PSI Max
- Square Mud Guard With Leveler Allows Right Angle Cuts
- Thin or Thick Wall Mounting
- Back to Back Installation



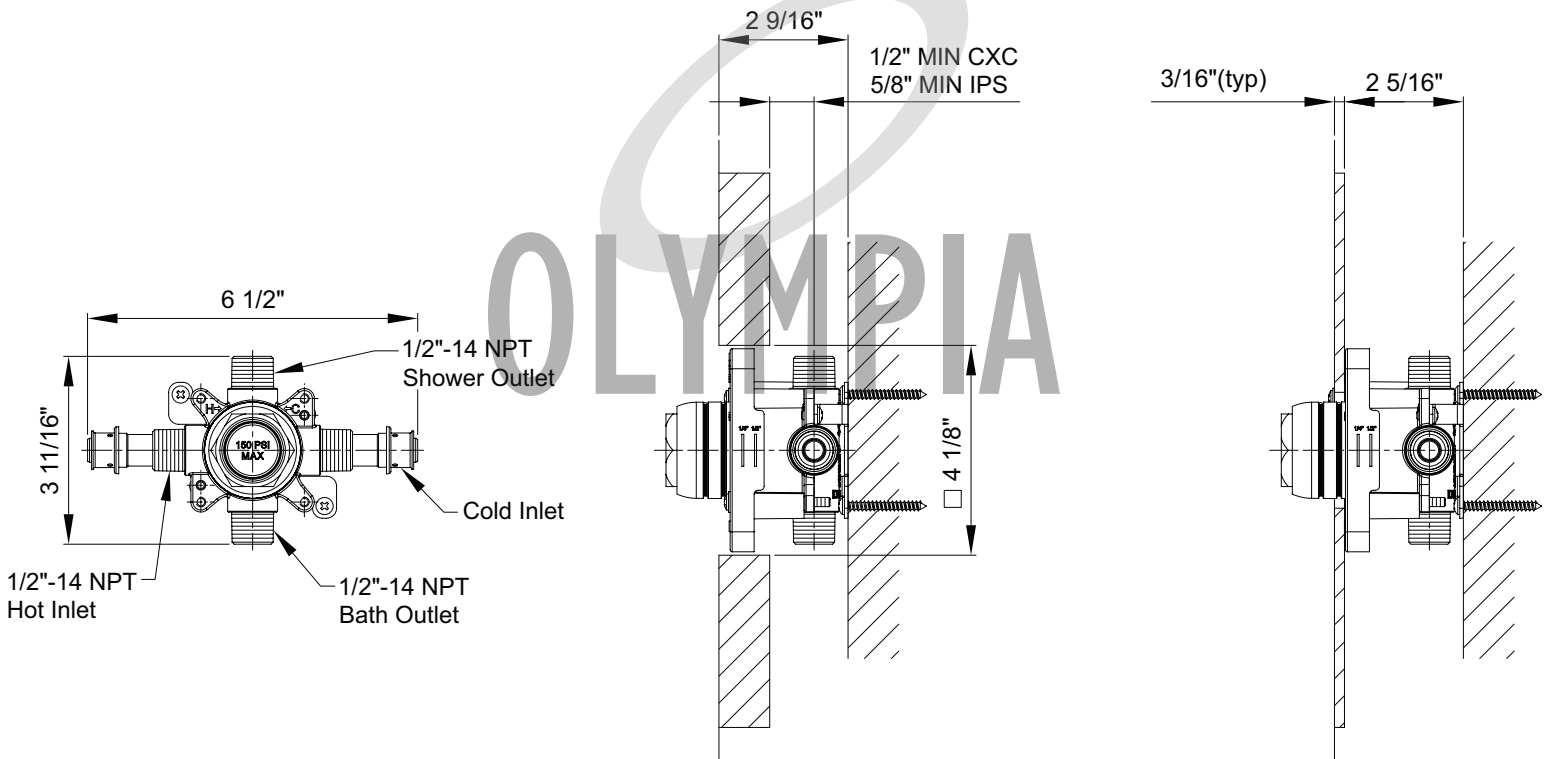
Olympia products are engineered and manufactured to meet the following standards and codes :
ASME A112.18.1-2018/CSA B125.1-18
IAPMO LISTED
ASSE 1016

V-2400B-VG Flow Rate (GPM) Vs Pressure (PSI) For Tub Port*



*Note: This information is provided for reference only. Actual Flow Rate may vary depending on installation and inlet pressures.

Note: Cartridge operational at pressures 20 PSI to 100 PSI.



THICK WALL

THIN WALL