



PARTS BREAKDOWN SHEET



TWO HANDLE LAVATORY WIDESPREAD FAUCET



Model #: _____

Specific Features: _____

Project Name: _____

Submitted For: _____

Date: _____

- Lever Handles
- Rigid Gooseneck Spout
- 4" Reach, 5" From Deck to Aerator
- Ceramic Disc Cartridges
- 3-Hole 4" to 16" Installation
- 50/50 or Brass Pop-Up Drain Assembly
- With 1.2 GPM Flow Rate

L-7420 SHOWN **ADA**

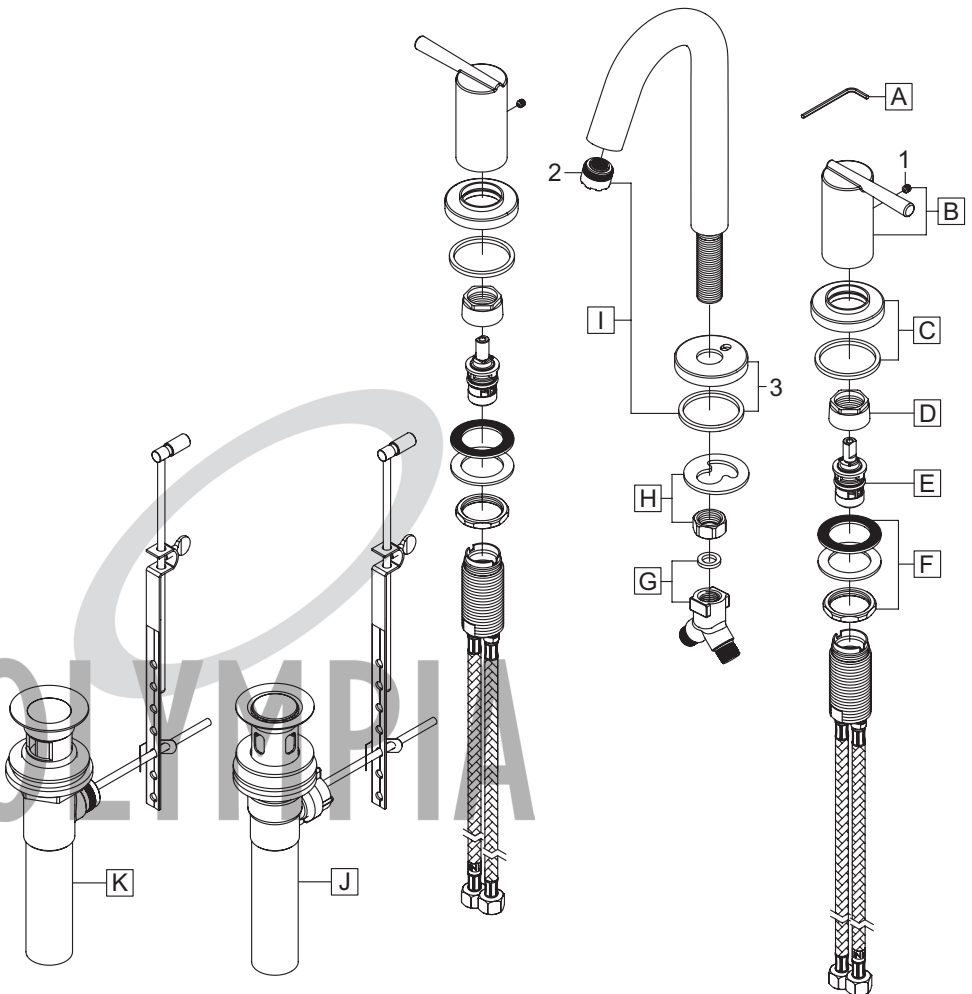
Model #	Features	Finish	
L-7420*		CP	
L-7420-BN*		PVD BN	
L-7422*		CP	
L-7422-BN*		PVD BN	

* Aerator limited to 1.2 GPM Flow Rate

Olympia products are engineered and manufactured to meet the following standards and codes:

- ASME A112.18.1
- ANSI A117.1
- ANSI / NSF 61, SECTION 9
- CONTAINS NO MORE THAN 0.25% WEIGHTED AVERAGE LEAD CONTENT

ITEM #	DESCRIPTION
A	OP-490011 3/32" Allen Wrench
B	OP-190016C, H Lever Handle-Cold, Hot
C	OP-430036* Escutcheon & Gasket
D	OP-490006 Bonnet Nut
E	OP-330002C,H Ceramic Disc Cartridge-Cold,Hot
F	OP-590002 Valve Mounting Kit
G	OP-490009 "Y" Connector & Washer
H	OP-430001 Spout Mounting Kit
I	OP-230006* Gooseneck Style Spout
J	OP-630008* 50/50 Drain Assembly (For L-7420)
K	OP-630009* Brass Pop-Up Drain Assembly (For L-7422)
1	OP-420047 3/32" Allen Screw
2	OP-490062* 1.2 GPM Aerator
3	OP-430037* Spout Escutcheon and Gasket



* Note- Please Specify finish\color code while ordering.

PARTS BREAKDOWN SHEET

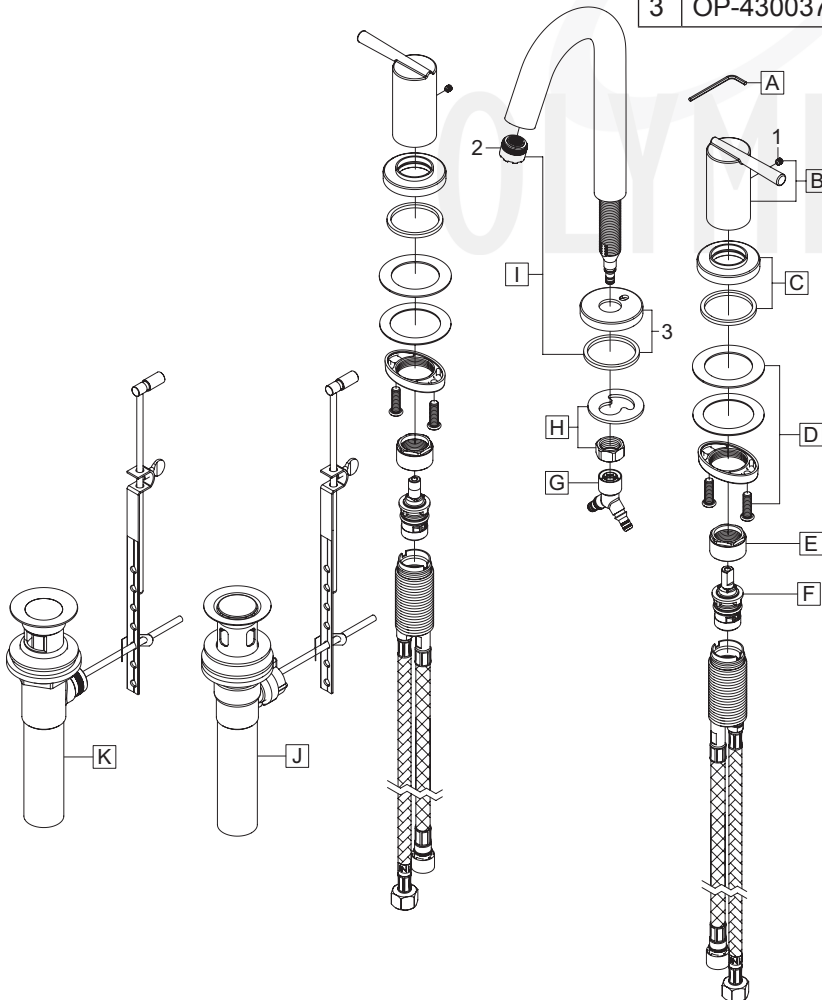


Model Number: L-7420, L-7422

* Note: Please specify finish/color when ordering.

* Note - Part D includes only on product purchased after March 2019.

	ITEM #	DESCRIPTION
A	OP-490011	3/32" Allen Wrench
B	OP-190016C, H*	Lever Handle-Cold, Hot
C	OP-430036*	Valve Escutcheon & Gasket
D	OP-530006	Valve Mounting Kit
E	OP-490006	Bonnet Nut
F	OP-330002C, H	Ceramic Stem-Cold, Hot
G	X-4300101	'Y' Connector
H	OP-430001	Spout Mounting Kit
I	OP-230009*	Gooseneck Style Spout
J	OP-630008*	50/50 Pop-Up Drain Assembly (For L-7420)
K	OP-630009*	Brass Pop-Up Drain Assembly (For L-7422)
1	OP-420047	3/32" Allen Screw
2	OP-490062*	1.2 GPM Aerator
3	OP-430037*	Spout Escutcheon & Gasket



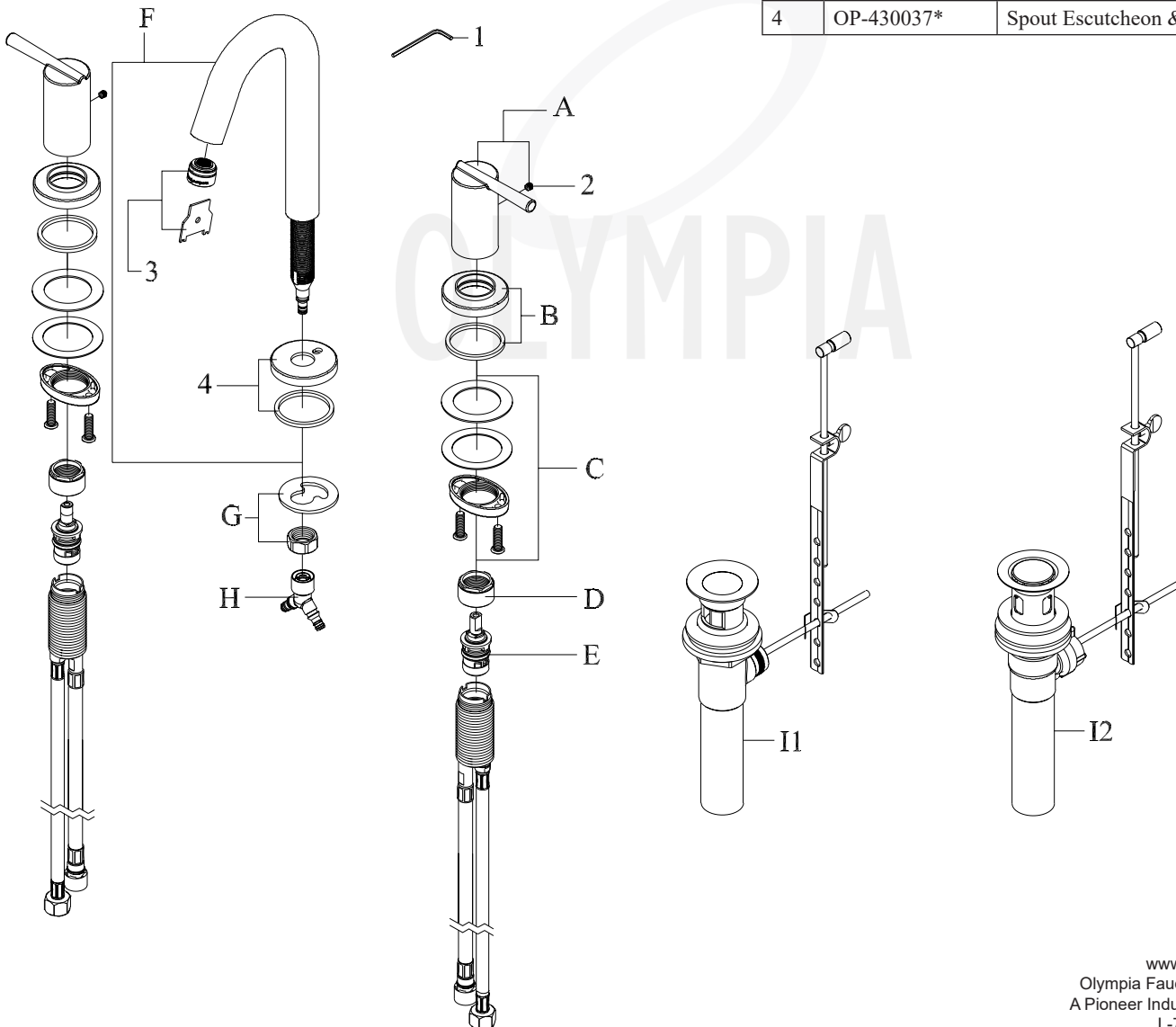
PARTS BREAKDOWN SHEET



Model Number: L-742X Series

* Note: Please specify finish/color when ordering.

	ITEM #	DESCRIPTION
A	OP-190016C, H*	Lever Handle-Cold, Hot
B	OP-430036*	Valve Escutcheon & Gasket
C	OP-530006	Valve Mounting Kit
D	OP-490006	Bonnet Nut
E	OP-330002C, H	Ceramic Stem-Cold, Hot
F	OP-230009*	Gooseneck Style Spout
G	OP-430001	Spout Mounting Kit
H	X-4300101	'Y' Connector
I1	OP-630009*	Brass Pop-Up Drain Assembly
I2	OP-630008*	50/50 Pop-Up Drain Assembly
1	OP-490011	3/32" Allen Wrench
2	OP-420047	3/32" Allen Screw
3	OP-490062*	1.2 GPM Aerator
4	OP-430037*	Spout Escutcheon & Gasket



PARTS BREAKDOWN SHEET



Model Number: L-742X, L-743X

* Note: Please specify finish/color when ordering.

	ITEM #	DESCRIPTION
A	OP-490011	3/32" Allen Wrench
B	OP-190016C, H*	Lever Handle-Cold, Hot
C	OP-430036*	Valve Escutcheon & Gasket
D	OP-530006	Valve Mounting Kit
E	OP-490006	Bonnet Nut
F	OP-330002C, H	Ceramic Stem-Cold, Hot
G	X-4300101	'Y' Connector
H	OP-430001	Spout Mounting Kit
I1	OP-230009*	Gooseneck Style Spout (For L-742X)
I2	OP-230014*	90 DEGREE SPOUT (For L-743X)
J	OP-630008*	50/50 Pop-Up Drain Assembly (For L-7420)
K	OP-630009*	Brass Pop-Up Drain Assembly (For L-7422)
1	OP-420047	3/32" Allen Screw
2	OP-490062*	1.2 GPM Aerator & Tool
3	OP-430037*	Spout Escutcheon & Gasket

