

PARTS BREAKDOWN SHEET



ELITE TWO HANDLE LAVATORY FAUCET



Model #: _____
Specific Features: _____
Project Name: _____
Submitted For: _____
Date: _____

- Mini Blade Handles
- 3-5/8" Reach, 1-1/2" From Deck to Aerator
- Washerless Cartridge Operation
- 3-Hole 4" Installation
- 50/50 Pop-Up Drain Assembly
- With 1.5 GPM Flow Rate

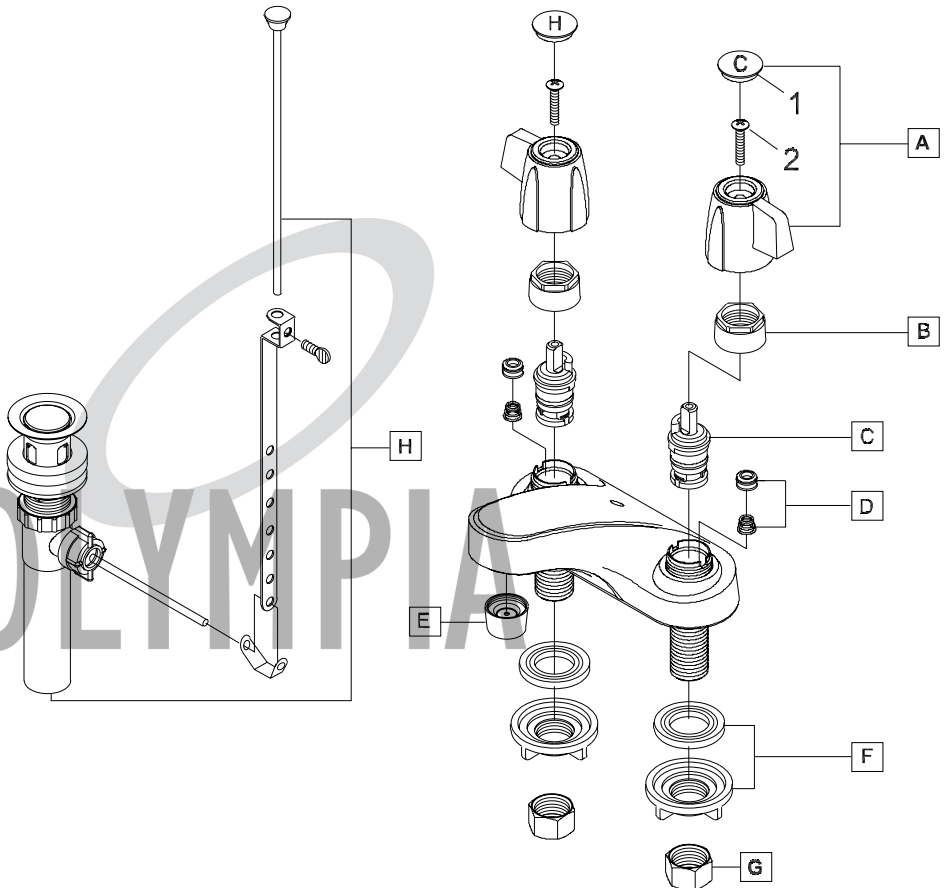
L-7290 SHOWN **ADA**

Model #	Features	Finish	
L-7290*		CP	
L-7290-BN*		PVD BN	

* Aerator limited to 1.5 GPM Flow Rate

Olympia products are engineered and manufactured to meet the following standards and codes:

- ASME A112.18.1
- ANSI A117.1
- ANSI / NSF 61, SECTION 9
- IAPMO LISTED
- CONTAINS NO MORE THAN 0.25% WEIGHTED AVERAGE LEAD CONTENT



ITEM #	DESCRIPTION
A	OP-190004C,H* Mini Blade Handle Cold, Hot
B	OP-490040 Bonnet Nut
C	OP-390005 Cartridge-Plastic Post
D	OP-490041 Spring and seats
E	OP-490035* 1.5 GPM Aerator
F	OP-590003 Mounting Locknut & Washer
G	OP-590001 Supply Nut
H	OP-630004* 50/50 Pop-Up Drain Assembly
1	OP-490013C,H Mini Blade Button Cold, Hot
2	OP-490014 Screw

* Note- Please Specify finish/color code while ordering.

PARTS BREAKDOWN SHEET

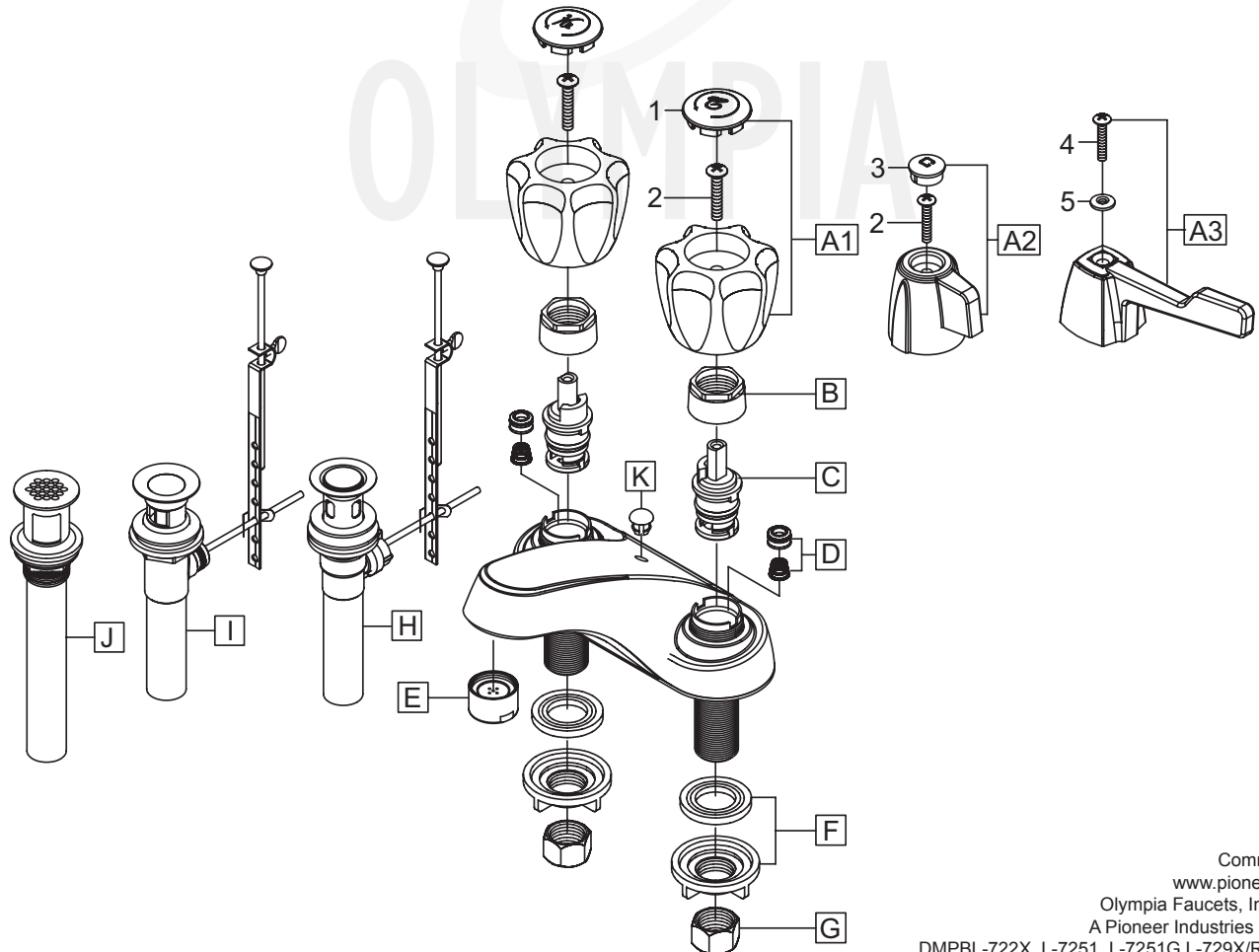


Model Number: L-722X, L-7251, L-7251G, L-729X

* Note: Please specify finish/color when ordering.

	ITEM #	DESCRIPTION
H	OP-630004	50/50 Pop-Up Drain Assembly (For L-72X0)
I	OP-630002	Brass Pop-Up Drain Assembly (For L-72X2)
J	OP-630001	Brass Grid Strainer Drain Assembly (For L-7251G)
K	OP-430005	Hole Cover
1	OP-490012C, H	Acrylic Handle Button Cold, Hot
2	OP-490014	Screw
3	OP-490013C, H	Mini Blade Handle Button Cold, Hot
4	OP-490015	Handle Screw
5	OP-490016C, H	Wrist Blade Handle Button Cold, Hot

	ITEM #	DESCRIPTION
A1	OP-190003C, H	Acrylic Handle Cold, Hot (For L-722X)
A2	OP-190004C, H	Mini Blade Handle Cold, Hot (For L-729X)
A3	OP-190005C, H	Wrist Blade Handle Cold, Hot (For L-725X)
B	OP-490040	Bonnet Nut
C	OP-390004 OP-390005	Stem Unit-Brass Post Stem Unit-Plastic Post
D	OP-490041	Springs and Seats
E	OP-490064	1.2 GPM Aerator
E	OP-490055	0.5 GPM Aerator (For L-7251-E0.5)
F	OP-590003	Mounting Hardware
G	OP-590001	Supply Nut



PARTS BREAKDOWN SHEET



Model Number: L-722X, L-7251(G), L-729X

* Note: Please specify finish/color when ordering.

* Note: : Supply Nut is not included for product purchased after June 2022.

ITEM #	DESCRIPTION	ITEM #	DESCRIPTION
A1	OP-190003C, H Acrylic Handle Cold,Hot (For L-722X)	H	OP-630002 Brass Pop-Up Drain Assembly (For L-72X2)
A2	OP-190004C, H Mini Blade Handle Cold, Hot (For L-729X)	I	OP-630001 Brass Grid Strainer Drain Assembly (For L-7251G)
A3	OP-190005C, H Wrist Blade Handle Cold, Hot (For L-725X)	J	OP-430005 Hole Cover
B	OP-490040 Bonnet Nut	1	OP-490012C, H Acrylic Handle Button Cold, Hot
C	OP-390004 Stem Unit-Brass Post	2	OP-490025 Screw
D	OP-490041 Springs and Seats	3	OP-490013C, H Mini Blade Handle Button Cold, Hot
E	OP-490064 1.2 GPM Aerator	4	OP-490015 Handle Screw
F	OP-590003 Mounting Hardware	5	OP-490016C, H Wrist Blade Handle Button Cold, Hot
G	OP-630004 50/50 Pop-Up Drain Assembly (For L-72X0)		

