

PARTS BREAKDOWN SHEET



ELITE TWO HANDLE KITCHEN FAUCET



Model #: _____
Specific Features: _____
Project Name: _____
Submitted For: _____
Date: _____

- Lever Handles With White Acrylic & Chrome Inserts
- High Arc Swivel Spout
- 6-3/4" Reach, 9-13/16" From Deck to Aerator
- Washerless Cartridge Operation
- 4-Hole 8" Installation
- Side Spray Assembly
- With 1.5 GPM Flow Rate

K-5271 SHOWN

ADA



Model #	Features	Finish	
K-5271*		CP	
K-5271-BN*		PVD BN	

* Aerator limited to 1.5 GPM Flow Rate

Olympia products are engineered and manufactured to meet the following standards and codes:

- ASME A112.18.1
- ANSI A117.1
- ANSI / NSF 61, SECTION 9
- IAPMO LISTED
- CONTAINS NO MORE THAN 0.25% WEIGHTED AVERAGE LEAD CONTENT

ITEM #	DESCRIPTION
A	OP-190006C.H* Handle Hub Cold, Hot
B	OP-490017* Chrome Insert
C	OP-490018 White Insert
D	OP-490040 Bonnet Nut
E	OP-390004 Cartridge- Brass Post
F	OP-490041 Spring and Seats
G	OP-420025* Deck Plate
H	OP-420026 Base Gasket
I	OP-520009 Mounting Locknut & Washer
J	OP-590001 Supply Nut
K	OP-220003* High Arc Spout
L	OP-420024 Diverter Piston
M	OP-420051** Side Spray Assembly
1	OP-490042* Handle Hub Screw
2	OP-490010* 1.5 GPM Aerator
3	OP-420021* Spout Bonnet Nut
4	OP-490038 Spout snap ring
5	OP-490039 Spout O-ring



* Note- Please Specify finish\color code while ordering.

** Note- OP-420022 will be replaced by OP-420051 once Stock depleted.

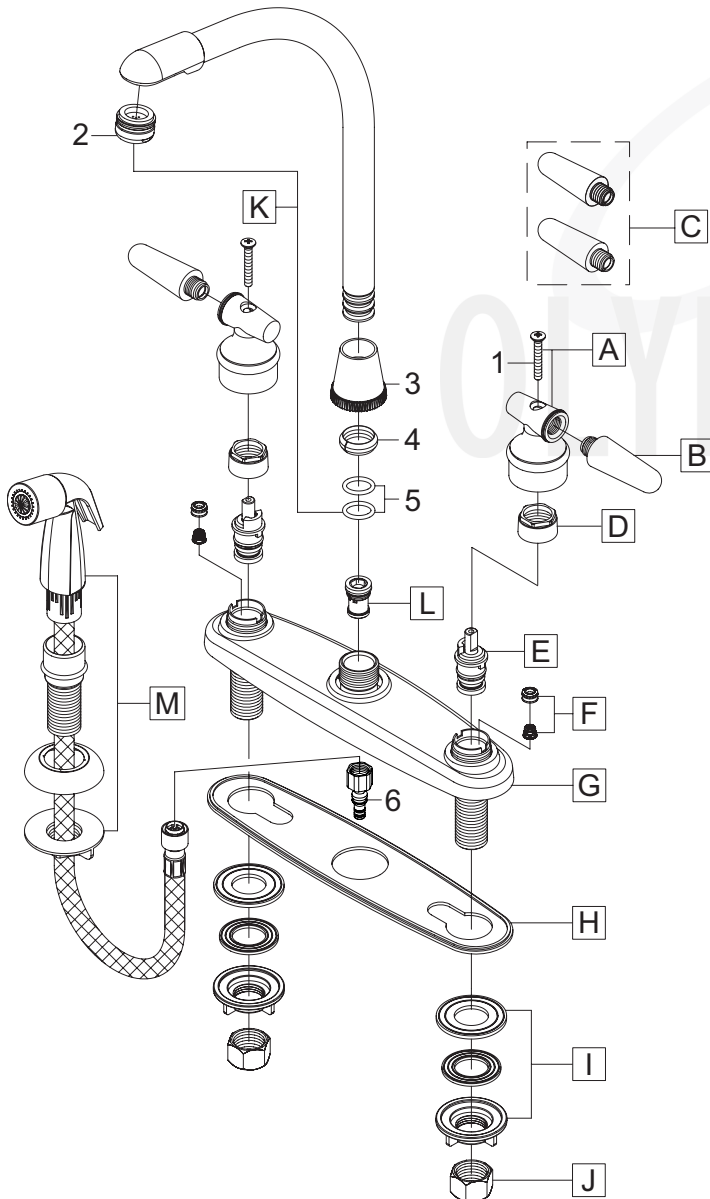
PARTS BREAKDOWN SHEET



Model Number: K-5270, K-5271

* Note: Please specify finish/color when ordering.

* Note - Part #6 includes only on the product purchased after March 2019.



	ITEM #	DESCRIPTION
A	OP-190006C, H	Handle Hub Cold, Hot
B	OP-490017	Chrome Insert
C	OP-490018	White Insert
D	OP-490040	Bonnet Nut
E	OP-390004	Cartridge
F	OP-490041	Springs and Seats
G	OP-420025	Deck Plate
H	OP-420026	Base Gasket
I	OP-520009	Mounting Locknuts & Washers
J	OP-590001	Supply Nuts
K	OP-220003	High Rise Spout
L	OP-420024	Diverter Piston (For K-5271)
M	OP-420078	Side Spray Assembly (For K-5271)
1	OP-490042	Handle Hub Screw
2	OP-490010	1.5 GPM Aerator
3	OP-420021	Spout Bonnet Nut
4	OP-490038	Spout snap ring
5	OP-490039	Spout O-rings
6	OP-420083	Quick Connect for part M

PARTS BREAKDOWN SHEET



Model Number: K-5270, K-5271

* Note: Please specify finish/color when ordering.

* Note: Supply Nut is not included for product purchased after June 2022.

	ITEM #	DESCRIPTION
A	OP-190006C, H	Handle Hub Cold, Hot
B	OP-490017	Chrome Insert
C	OP-490018	White Insert
D	OP-490040	Bonnet Nut
E	OP-390004	Cartridge
F	OP-490041	Springs and Seats
G	OP-420025	Deck Plate
H	OP-420026	Base Gasket
I	OP-520009	Mounting Locknuts & Washers
J	OP-220003	High Rise Spout
K	OP-420024	Diverter Piston (For K-5271)
L	OP-420078	Side Spray Assembly (For K-5271)
1	OP-490042	Handle Hub Screw
2	OP-490010	1.5 GPM Aerator
3	OP-420021	Spout Bonnet Nut
4	OP-490038	Spout Snap Ring
5	OP-490039	Spout O-rings
6	OP-420083	Quick Connect Adapter

