
PARTS BREAKDOWN SHEET



ACCENT TWO HANDLE TUB AND SHOWER SET



Model #: _____

Specific Features: _____

Project Name: _____

Submitted For: _____

Date: _____

- Lever Handles
- 1/2" IPS Inlets
- Washerless Cartridge Operation
- Showerhead, Arm & Flange
- 1/2" IPS Diverter Tub Spout

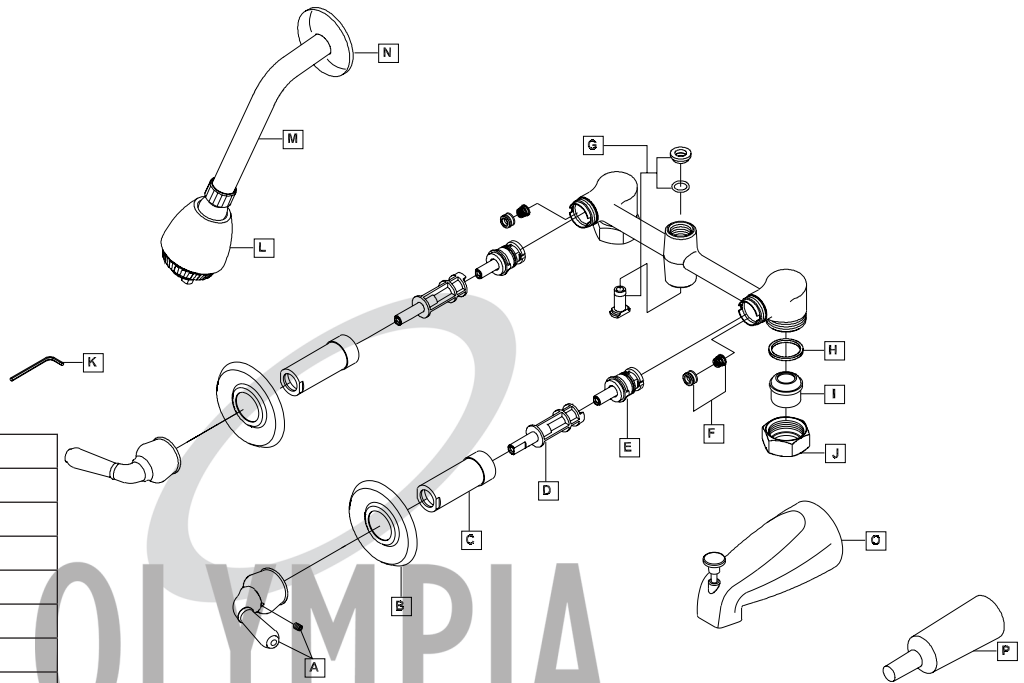
P-1230 SHOWN **ADA**

Model #	Features	Finish	
P-1230*		CP	
P-1230-BN*		PVD BN	
P-1232*	Shower Set	CP	
P-1232-BN*	Shower Set	PVD BN	

Olympia products are engineered and manufactured to meet the following standards and codes:

ASME A112.18.1
ANSI A117.1

* Showerhead limited to 2.5 GPM Flow Rate



ITEM #	DESCRIPTION
A	OP-140009* Lever Handle
B	OP-440037* Flange
C	OP-440036* Sleeve
D	OP-440035 Stem Extension
E	OP-340006C,H Cartridge-Cold,Hot
F	OP-490041 Springs & Seats
G	OP-440034 Diverter Piston
H	OP-440050** Washer
I	OP-440015 Union
J	OP-440016 Nut
K	OP-490011 3/32" Allen Wrench
L	OP-640003* 2.5 GPM Showerhead
M	OP-640002* Shower Arm
N	OP-640001* Shower Arm Flange
O	OP-640015* 1/2" IPS Diverter Tub Spout
P	OP-440017 Mounting Mud Guard

* Note- Please Specify finish/color code while ordering.
** OP-440050 have been added After 11/2014

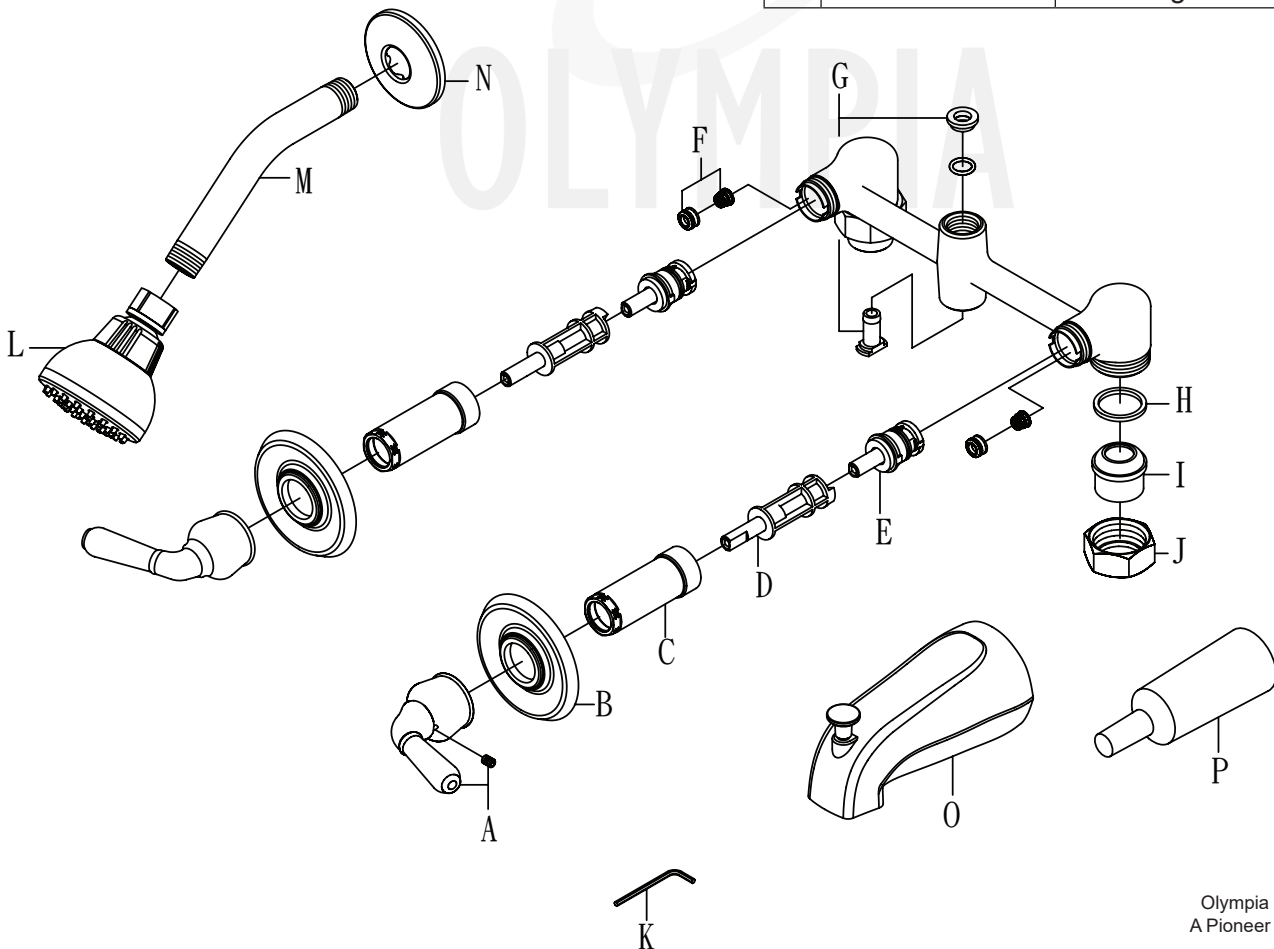
PARTS BREAKDOWN SHEET



Model Number: P-1230

* Note: Please specify finish/color when ordering.

	ITEM #	DESCRIPTION
A	OP-140009	Lever Handle
B	OP-440037	Flange
C	OP-440036	Sleeve
D	OP-440035	Stem Extension
E	OP-340006C, H	Cartridge-Cold, Hot
F	OP-490041	Springs & Seats
G	OP-440034	Diverter Piston
H	OP-440050	Washer
I	OP-440015	Union
J	OP-440016	Nut
K	OP-490011	3/32" Allen Wrench
L	OP-640053	1.5 GPM Showerhead
M	OP-640002	Shower Arm
N	OP-640001	Shower Arm Flange
O	OP-640015	1/2" IPS Diverter Tub Spout
P	OP-440017	Mounting Mud Guard



PARTS BREAKDOWN SHEET



Model Number: P-1230, P-1232, P-1250, P-3230, P-3250

* Note: Please specify finish/color when ordering.

ITEM #	DESCRIPTION	ITEM #	DESCRIPTION
A1	OP-140009* Lever Handle (For P-123X, P-3230)	H	OP-490011 3/32" Allen Wrench
A2	OP-190015C* Lever Handle (For P-1250, P-3250)	I	OP-640053* 1.5 GPM Showerhead
B	OP-440037* Escutcheon	J	OP-640002* Shower Arm
C	OP-440036* Sleeve	K	OP-640001* Shower Arm Flange
D	OP-440035 Stem Extension	L	OP-640015* 1/2" IPS Diverter Tub Spout (For P-12X0)
E	OP-340006C, H Cartridge-Cold,Hot	M	OP-640014* 1/2" IPS Tub Spout (For P-32X0)
F	OP-490041 Springs & Seats	N	OP-440017 Protective Cover
G	OP-340007 Diverter Stem Unit (For P-32X0)	1	OP-490029 Allen Screw

