

Radio Frequency Probes

HF77MateAXmSealed0412G2160MSMPmF

Order code 1156412

### General

Design	Coaxial Probe
Family	HF77
Temperature [C°]	-45°C...+100°C

### Electrical specifications

Continuous current [A]	0.50
Impedance [ohm]	50.00
Frequency [GHz]	12.00
Continuous current 2 [A]	0.10

### Inner contact specifications

Nominal travel 2 [mm]	0.50
Maximum travel 2 [mm]	1.80
Preload 2 [cN]	95.00
Spring force 2 [cN]	120.00

### Mechanical specifications

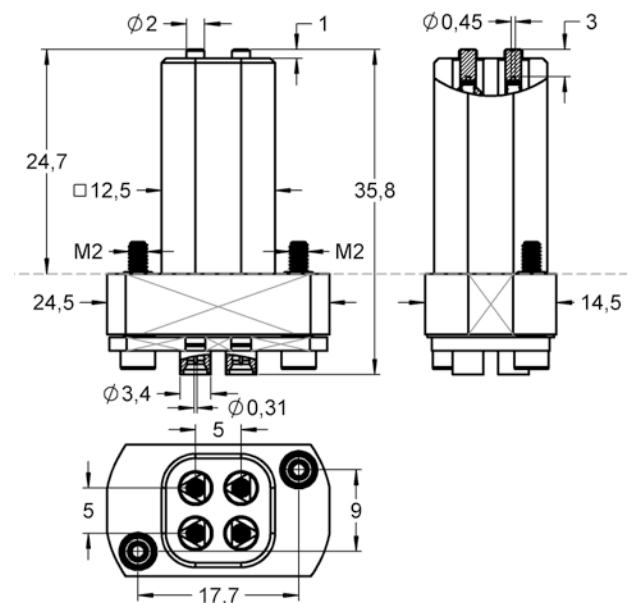
Preload [cN]	230.00
Spring force [cN]	420.00
Nominal travel [mm]	2.00
Maximum travel [mm]	2.80
Connection type (flux-proof)	STECKER
DUT	MATE-AX-Sealed Male 1 Pos

### Dimensions

Total length [mm]	35.80
Tip style diameter [mm]	2.00
Barrel diameter [mm]	2.95
Inside/outside distance [mm]	3.00
Tip style diameter 2 [mm]	0.45

### Family drawing

All measurements are in mm.



### Materials & surfaces

Tip style	16
Tip style 2	16
Plunger material	Beryllium copper
Plunger plating	Gold
Barrel material	Brass
Barrel plating	Gold
Spring material	High-grade steel
Spring plating	Uncoated
Plunger material 2	Beryllium copper
Plunger plating 2	Gold
Spring material 2	Spring steel
Spring plating 2	Gold