



High Current Probes

HCF33014S210L210

Order code 1001367

General

Design	Basic Contact Probe
Family	HCF330
Pitch [mm/mil]	3.00 / 118
Temperature [C°]	-45°C...+200°C

Electrical specifications

Continuous current [A]	14.00
Typical contact resistance [mOhm]	15.00

Mechanical specifications

Preload [cN]	60.00
Spring force [cN]	210.00
Nominal travel [mm]	5.60
Maximum travel [mm]	7.00
Pointing accuracy +/- [mm]	0.10

Dimensions

Total length [mm]	40.00
Projection height [mm]	18.50
Tip style diameter [mm]	2.10
Barrel diameter [mm]	2.00
Collar diameter [mm]	2.20
Press ring diameter [mm]	2.20

Materials & surfaces

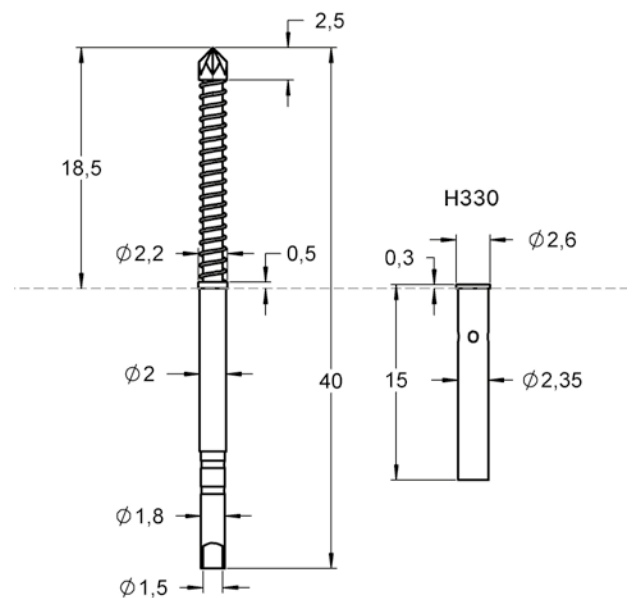
Tip style	14
Plunger material	Steel
Plunger plating	Longtime Gold
Barrel material	Bronze
Barrel plating	Uncoated
Spring material	High-grade steel
Spring plating	Uncoated

Accessories

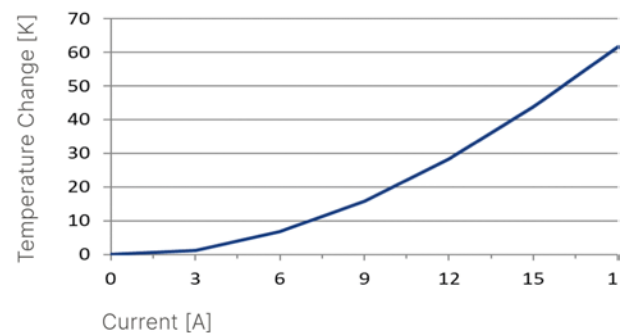
Other	1001697-H330
-------	--------------

Family drawing

All measurements are in mm.



Thermal Rise of Contact Probe vs. Current



Tip style 1

