



Radio Frequency Probes

## HF860GT13m011G530MCXfs

Order code 1041700

### General

Design	Coaxial Probe
Family	HF860
Pitch [mm/mil]	6.50 / 256
Temperature [C°]	-45°C...+100°C

### Electrical specifications

Continuous current [A]	10.00
Impedance [ohm]	50.00
Frequency [GHz]	1.00
Continuous current 2 [A]	3.00

### Inner contact specifications

Nominal travel 2 [mm]	2.00
Maximum travel 2 [mm]	3.70
Preload 2 [cN]	75.00
Spring force 2 [cN]	130.00

### Mechanical specifications

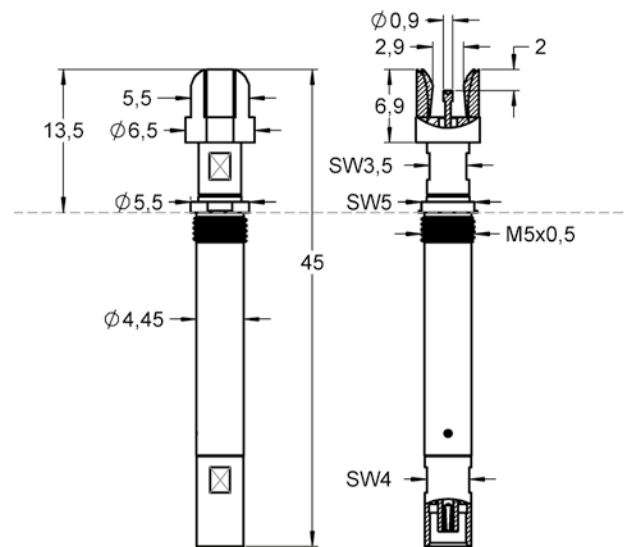
Preload [cN]	90.00
Spring force [cN]	400.00
Nominal travel [mm]	4.00
Maximum travel [mm]	5.00
Thread	M5X0.5
Tool size [mm]	3.5/4.0/5.0
Connection type (flux-proof)	Plug
DUT	GT13-Male

### Dimensions

Total length [mm]	45.00
Projection height [mm]	13.50
Tip style diameter [mm]	6.50
Barrel diameter [mm]	4.50
Collar diameter [mm]	5.50
Inside/outside distance [mm]	-2.00
Tip style diameter 2 [mm]	0.90

### Family drawing

All measurements are in mm.



### Materials & surfaces

Tip style	05
Tip style 2	05
Plunger material	Beryllium copper
Plunger plating	Gold
Barrel material	Brass
Barrel plating	Gold
Spring material	High-grade steel
Spring plating	Uncoated
Plunger material 2	Beryllium copper
Plunger plating 2	Gold
Spring material 2	Spring steel
Spring plating 2	Gold

**Accessories**

Receptacle	H860RD
Tool for receptacle	FEWZ-822E0
Tool for probe	1035933-FZWZ-005
Other	1022553-HFAEMCXm3GBNCmL700, 1022552-HFAEMCXm3GSMAmL700, 1033199-HFAEMCXm6GSMAmL1500, 1012580-HFAEMCXm10GSMAmL700, 1012574-HFAEMCXm0GLAL700

**Tip style 1**

