



Radio Frequency Probes

HF77SMKMINIFAKRAM0212G1080MSMPmF

Order code 1139613

### General

Design	Coaxial Probe
Family	HF77
Pitch [mm/mil]	12.0 / 472

### Electrical specifications

Impedance [ohm]	50.00
Frequency [GHz]	12.00

### Mechanical specifications

Preload [cN]	280.00
Spring force [cN]	420.00
Nominal travel [mm]	1.40
Maximum travel [mm]	2.20
Connection type (flux-proof)	Plug

### Dimensions

Total length [mm]	30.50
Tip style diameter [mm]	3.40

### Materials & surfaces

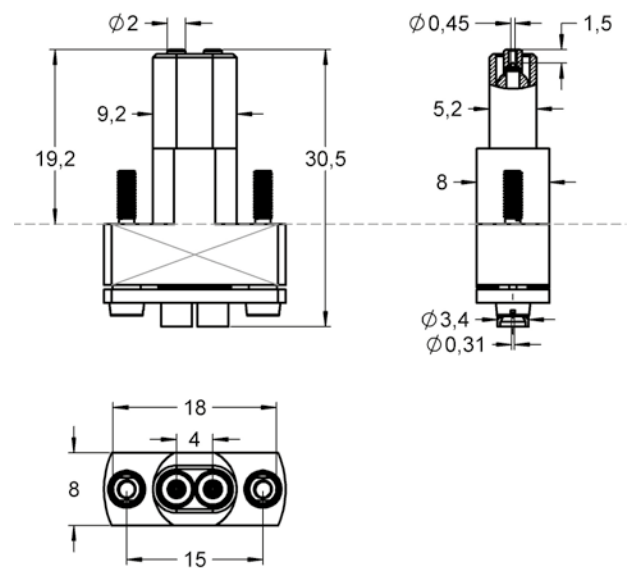
Tip style	16
Tip style material	Beryllium copper
Tip style plating	Gold
Plunger material	Beryllium copper
Plunger plating	Gold

### Accessories

Other	1057640-HFAEMSMPf12GSMAmL500
-------	------------------------------

### Family drawing

All measurements are in mm.



### Tip style 1

