



Pogo Connectors

P19706B300G130TL106ST

Order code 1056749

General

Design	Basic Contact Probe
Family	P-T / P197T-L106
Pitch [mm/mil]	3.00 / 118
Temperature [C°]	-45°C...+200°C

Electrical specifications

Continuous current [A]	9.00
Typical contact resistance [mOhm]	100.00

Mechanical specifications

Preload [cN]	80.00
Spring force [cN]	130.00
Nominal travel [mm]	1.50
Maximum travel [mm]	3.00
Pointing accuracy +/- [mm]	0.08

Dimensions

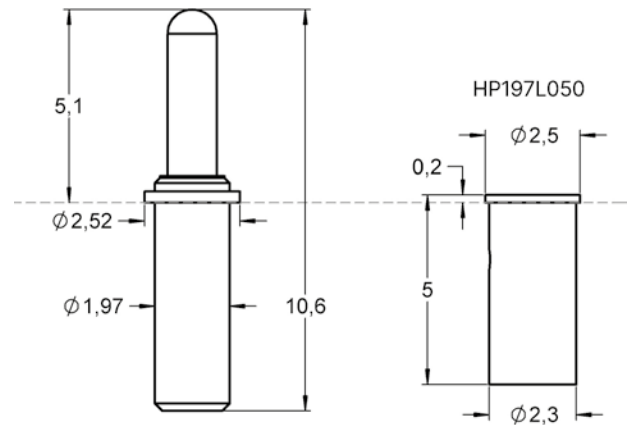
Total length [mm]	10.60
Projection height [mm]	5.10
Tip style diameter [mm]	3.00
Barrel diameter [mm]	1.97
Collar diameter [mm]	2.52
Press ring diameter [mm]	2.52

Materials & surfaces

Tip style	06
Plunger material	Beryllium copper
Plunger plating	Gold
Barrel material	Brass
Barrel plating	Gold
Spring material	High-grade steel
Spring plating	Uncoated

Family drawing

All measurements are in mm.



Accessories

Other	1004743-HP197L130,
	1004742-HP197L100,
	1004741-HP197L050,
	1001840-HP197L025

Tip style 1

