

Radio Frequency Probes

HF77MATEAXm0212G1080MSMPmF

Order code 1142276

General

Design	Coaxial Probe
Family	HF77
Pitch [mm/mil]	4.00 / 157
Temperature [C°]	-45°C...+100°C

Electrical specifications

Continuous current [A]	0.50
Impedance [ohm]	50.00
Frequency [GHz]	12.00
Continuous current 2 [A]	0.10

Inner contact specifications

Nominal travel 2 [mm]	0.50
Maximum travel 2 [mm]	0.80
Preload 2 [cN]	95.00
Spring force 2 [cN]	120.00

Mechanical specifications

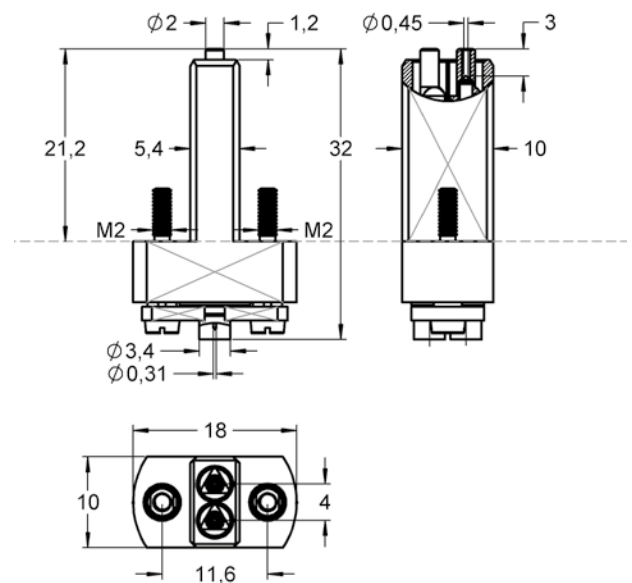
Preload [cN]	230.00
Spring force [cN]	420.00
Connection type (flux-proof)	Plug
DUT	MATE-AX Male 2 Pos

Dimensions

Total length [mm]	31.20
Projection height [mm]	27.00
Tip style diameter [mm]	2.00
Barrel diameter [mm]	2.95
Inside/outside distance [mm]	2.20
Tip style diameter 2 [mm]	0.45

Family drawing

All measurements are in mm.



Materials & surfaces

Tip style	50
Tip style 2	16
Tip style material	Brass
Tip style plating	Nickel
Plunger material	Beryllium copper
Plunger plating	Gold
Barrel material	Brass
Barrel plating	Gold
Spring material	High-grade steel
Spring plating	Uncoated
Plunger material 2	Beryllium copper
Plunger plating 2	Gold
Spring material 2	Spring steel
Spring plating 2	Gold

Accessories

Tool for probe	1031897-FZWZ-001
Other	1057640-HFAEMSMPf12GSMAmL500, 1035527-HF77MATEAXm0112G540MSMPmP

Tip style 1



Tip style 2

